

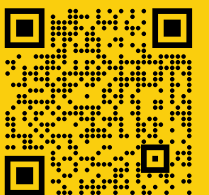
# ARCHITECTURAL LIGHTING

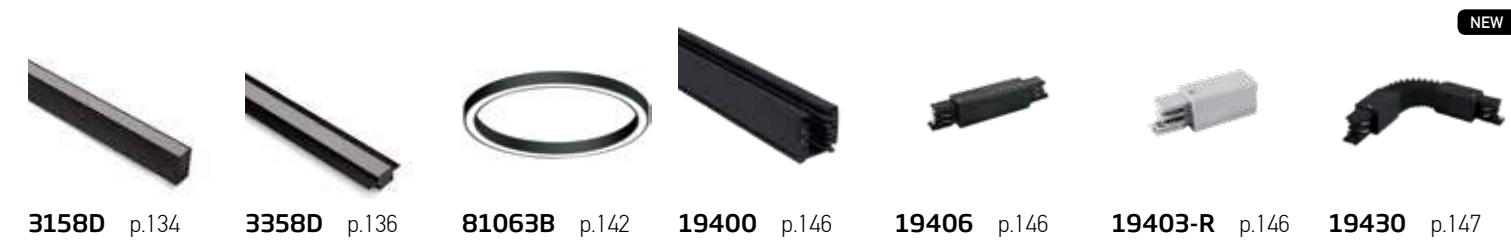
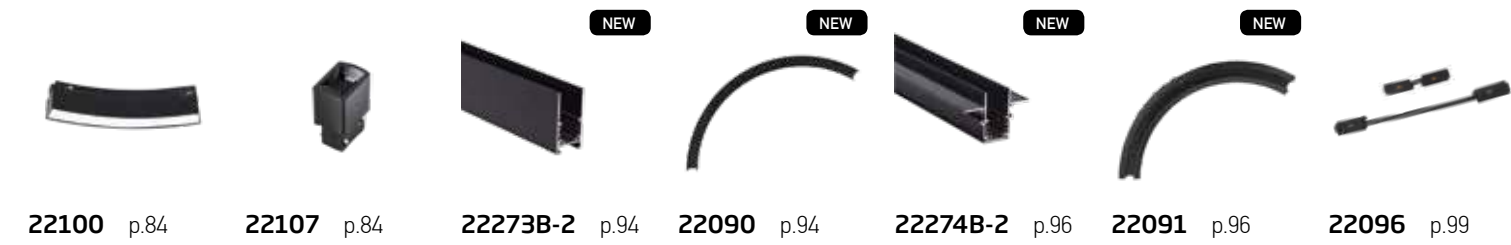


 Zambelis  
L I G H T S

# INDEX

01. 48V SPACE FRAME MAGNETIC SYSTEM | p.010-021
02. 48V ULTRA SLIM MAGNETIC SYSTEM | p.022-035
03. 24V FLEXIBLE CURVED SYSTEM | p.036-043
04. 48V LINEAR MAGNETIC SYSTEM | p.044-077
05. 48V ROUNDED RECTANGLE MAGNETIC SYSTEM | p.078-091
06. 48V CIRCLES - CURVED MAGNETIC SYSTEM | p.092-105
07. 24V MINI SURFACE MAGNETIC SYSTEM | p.106-115
08. 24V PLUG & PLAY | p.116-121
09. LINEAR & CIRCLES | p.122-143
10. 3-PHASE TRACKS & LIGHTS | p.144-165
11. DOWNLIGHT RECESSED & TRIMLESS LED SPOTS | p.166-201
12. WATERPROOF DOWNLIGHT SPOTS | p.202-209
13. DOWNLIGHT RECESSED SPOTS GU10 | p.210-223
14. CEILING SPOTS | p.224-247
15. GYPSUM | p.248-259
16. ALUMINIUM PROFILES-LED STRIPS-DRIVERS | p.260-279





ARCHITECTURAL LIGHTING



ARCHITECTURAL LIGHTING



S009 p.220 S008 p.221 S014 p.221 S147 p.222 S214 p.226 S215 p.226 S217 p.228



S029 p.256 S047 p.258 S048 p.258 20193 p.262 20194 p.262 20197 p.262 20205 p.263



S218 p.228 S180 p.230 S179 p.230 S001 p.230 S153 p.232 S154 p.232 S155 p.232



20203 p.263 20204 p.263 20190 p.264 20195 p.264 20198 p.264 20199 p.265 20201 p.265



Z12107K-W p.234 Z12107K-B p.234 S159 p.236 S160 p.236 S161 p.236 S112 p.238 22133 p.239



20206 p.265 20326 p.266 20327 p.266 20328 p.267 20325 p.267 20329 p.267 LS22 p.268



S131 p.240 S134 p.240 S069 p.241 S039 p.242 S040 p.242 S151 p.242 S152 p.242



LS28 p.268 LS33 p.269 LS32 p.269 LS12 p.270 LS05 p.270 LS06 p.271 LS07 p.271



S156 p.244 S157 p.244 S158 p.244 S063 p.246 20272 p.250 20273 p.252 20274 p.252



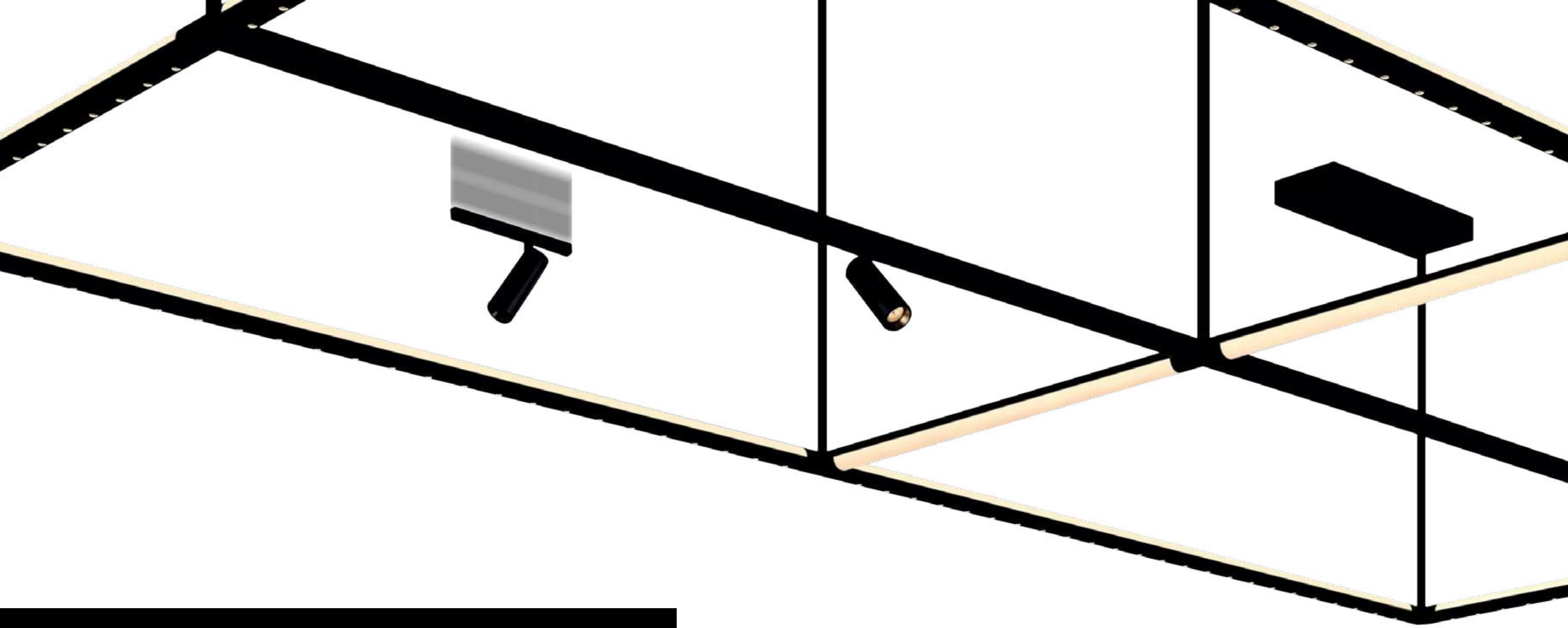
LS04 p.272 LS01 p.272 LS15 p.273 LS16 p.273 4052899605503 p.274 4062172329767 p.275 4052899465916 p.275



180026 p.254 180027 p.254 180025 p.255 180028 p.255 S030 p.256 S025 p.256 S027 p.256



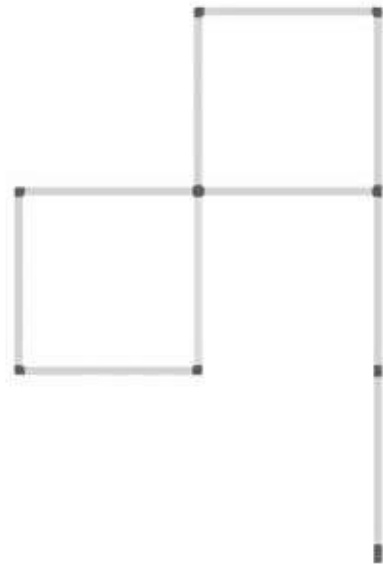
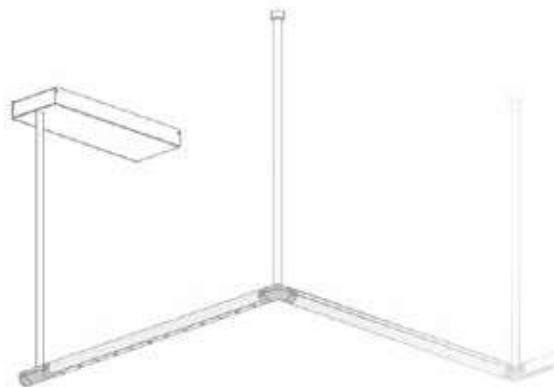
4052899557949 p.276 Z89200VND p.276 89800257 p.277 4052899605787 p.278 28003210 p.278 D-DALI20 p.279 LSW700P p.279



48V SPACE FRAME MAGNETIC SYSTEM | p.010-021



DO IT YOURSELF...



DOWNLIGHT TUBE



SPOT TUBE WITH UP-LIGHT



SPOT TUBE

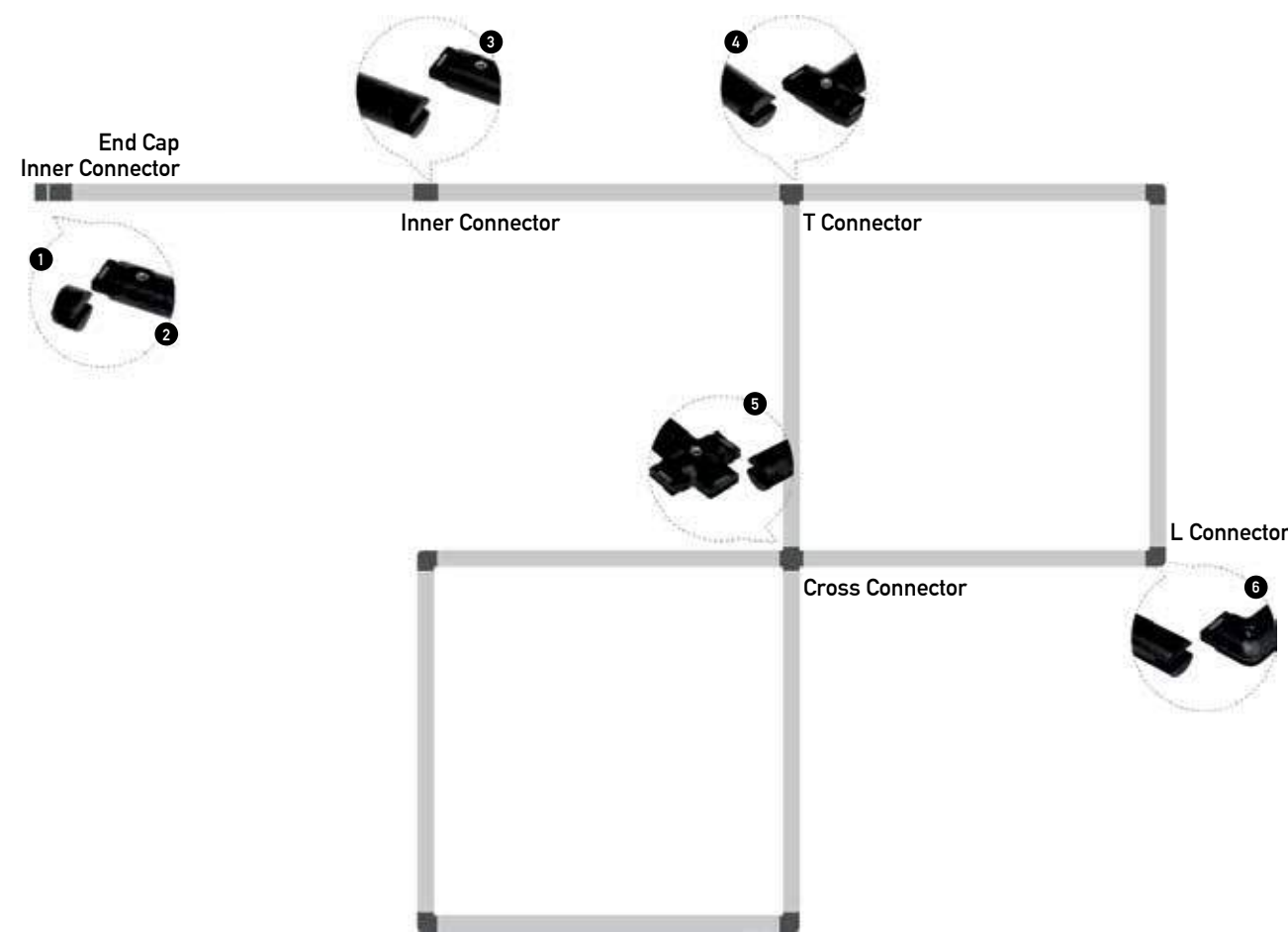
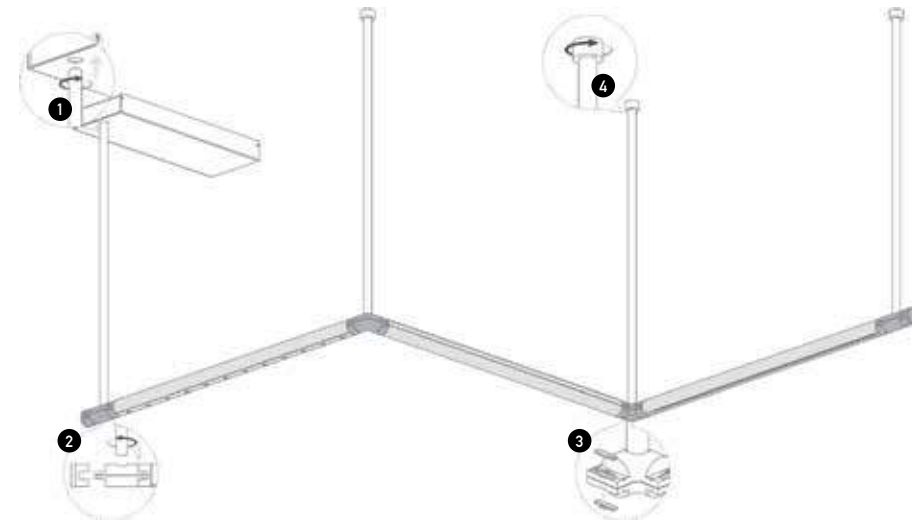


U MAGNETIC TRACK



 Power Supply Connection

Feeder Tube needs to be used in conjunction with Power Supply 48V.  
 End Cap and Inner Connector is needed at combined tail end.  
 Each group of circuits should not exceed 200W.  
 Insulator block circuit should be used in circuit grouping.



**Feeder Tube**

Dimensions  $\text{Ø}: 25\text{mm}$  H: 562mm  
 Material Metal  
 Color Black Matt / **Code 23155**

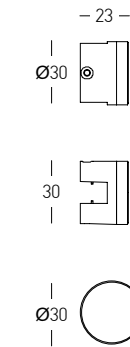


**Pendant Tube**

Dimensions  $\text{Ø}: 25\text{mm}$  H: 593mm  
 Material Metal  
 Color Black Matt / **Code 23152**

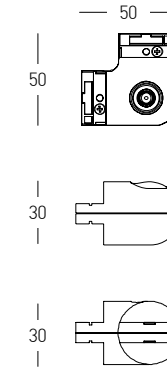


**End Cap**



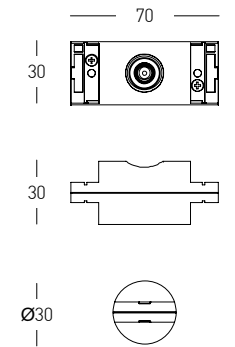
Dimensions  $\text{Ø}: 30\text{mm}$  L: 23mm  
 Material Plastic  
 Color Black Matt / **Code 23151**

**L Connector**



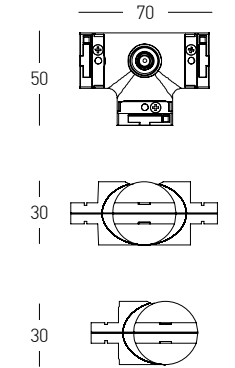
Dimensions  $\text{Ø}: 30\text{mm}$  L: 50mm W: 50mm  
 Material Plastic  
 Color Black Matt / **Code 23149**

**Inner Connector**



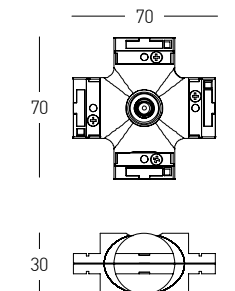
Dimensions  $\text{Ø}: 30\text{mm}$  L: 70mm  
 Material Plastic  
 Color Black Matt / **Code 23156**

**T Connector**



Dimensions  $\text{Ø}: 30\text{mm}$  L: 70mm W: 50mm  
 Material Plastic  
 Color Black Matt / **Code 23150**

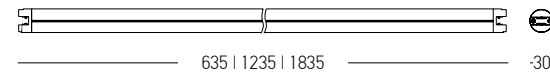
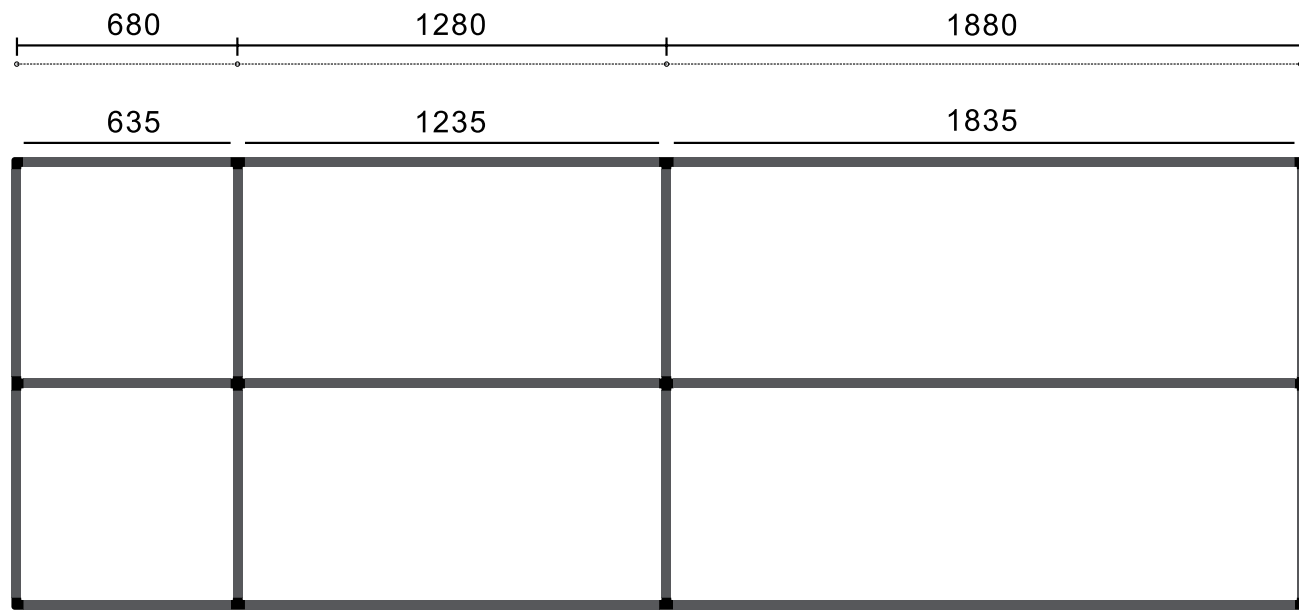
**Cross Connector**



Dimensions  $\text{Ø}: 30\text{mm}$  L: 70mm W: 70mm  
 Material Plastic  
 Color Black Matt / **Code 23148**

\*Dimensions Indicated In Millimeters





Track Code	Size
23147	635mm
23145	1235mm
23146	1835mm

Input 48V  
 Dimensions Ø: 30mm L: 635mm | 1235mm | 1835mm  
 Material Aluminium  
 Color Black Matt

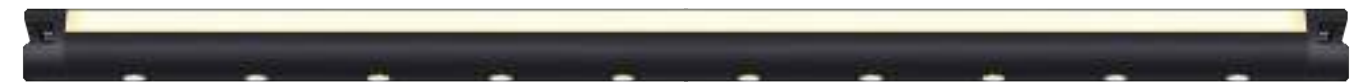
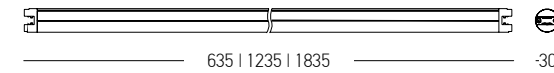


Power 9.6W  
 Input 48V  
 Color Temperature 3000K  
 Lumen 780Lm  
 Cri 90  
 Dimensions Ø: 45mm L: 151mm  
 Beam Angle 28°  
 DALI Dimmable ☉  
 Material Aluminium  
 Color Black Matt / **Code 23153**



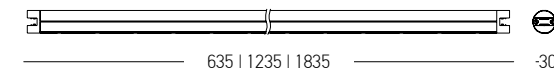
Track Code	Size
23295	635mm
23296	1235mm
23297	1835mm

Power 12W | 24W | 36W  
 Input 48V  
 Color Temperature 3000K  
 Lumen 966Lm | 1812Lm | 2708Lm  
 Cri 90  
 Dimensions Ø: 30mm L: 635mm | 1235mm | 1835mm  
 Beam Angle 115°  
 DALI Dimmable ☉  
 Material Aluminium - Acrylic  
 Color Black Matt



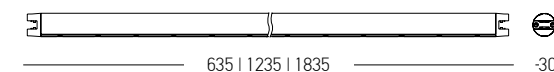
Track Code	Size
23144	635mm
23142	1235mm
23143	1835mm

Power 25W | 50W | 75W  
 Input 48V  
 Color Temperature 3000K  
 Lumen 1966Lm | 2812Lm | 3708Lm  
 Cri 90  
 Dimensions Ø: 30mm L: 635mm | 1235mm | 1835mm  
 Beam Angle 20°  
 DALI Dimmable ☉  
 Material Aluminium - Acrylic  
 Special Feature Up-Down Light  
 Color Black Matt



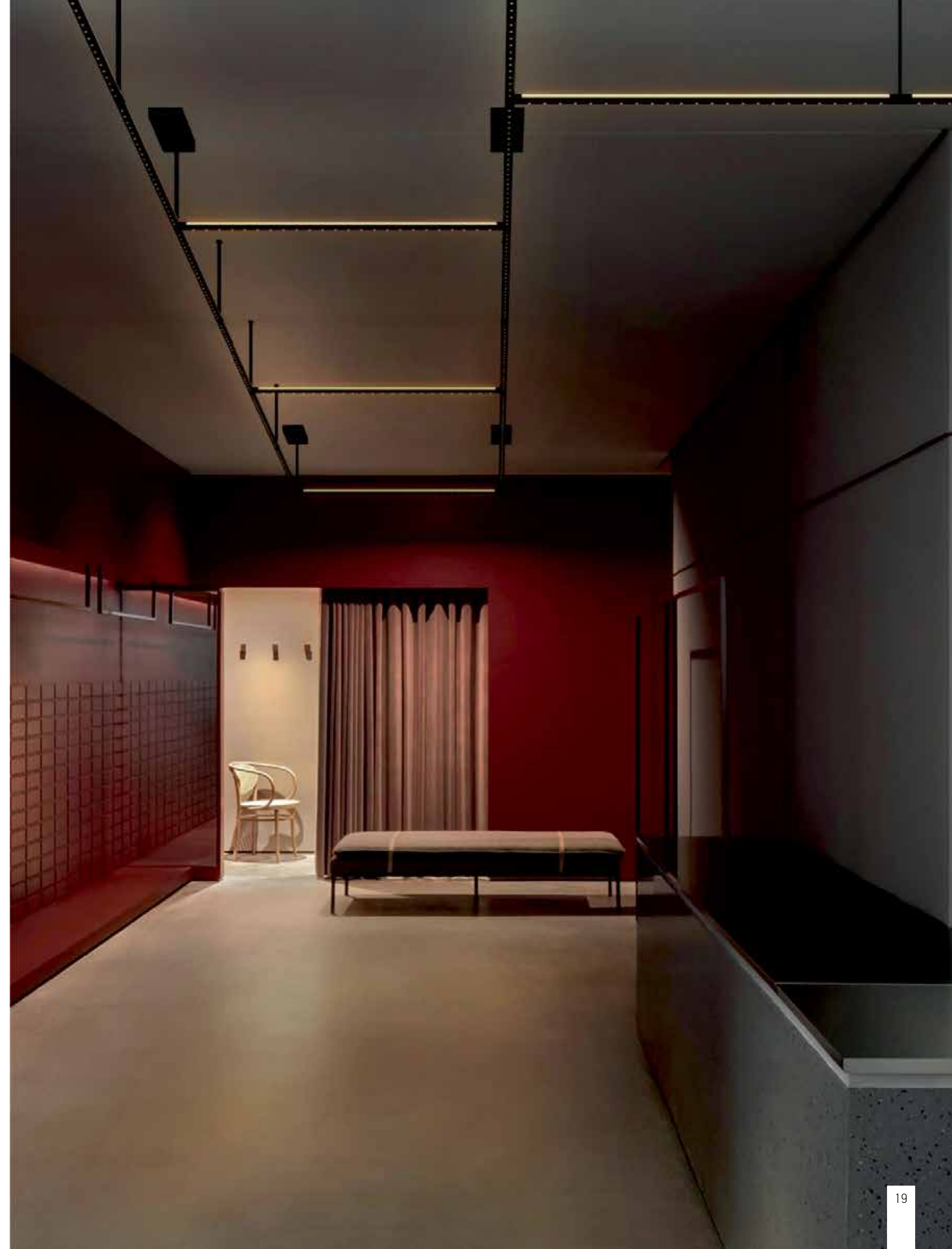
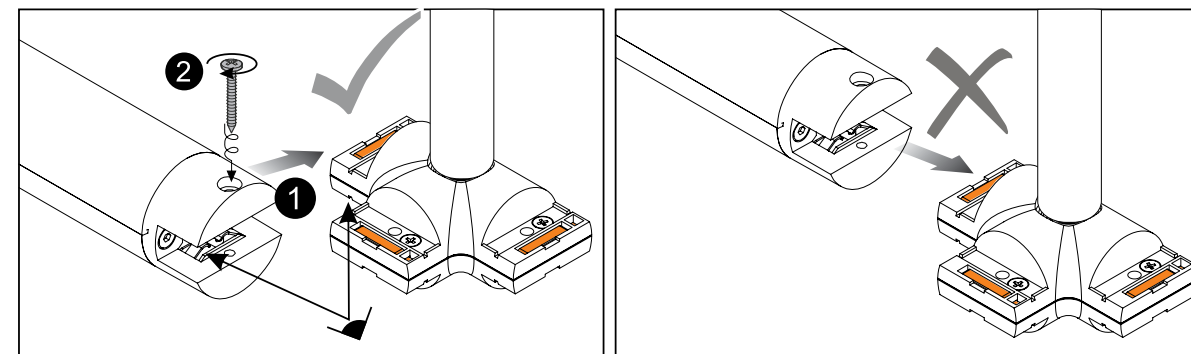
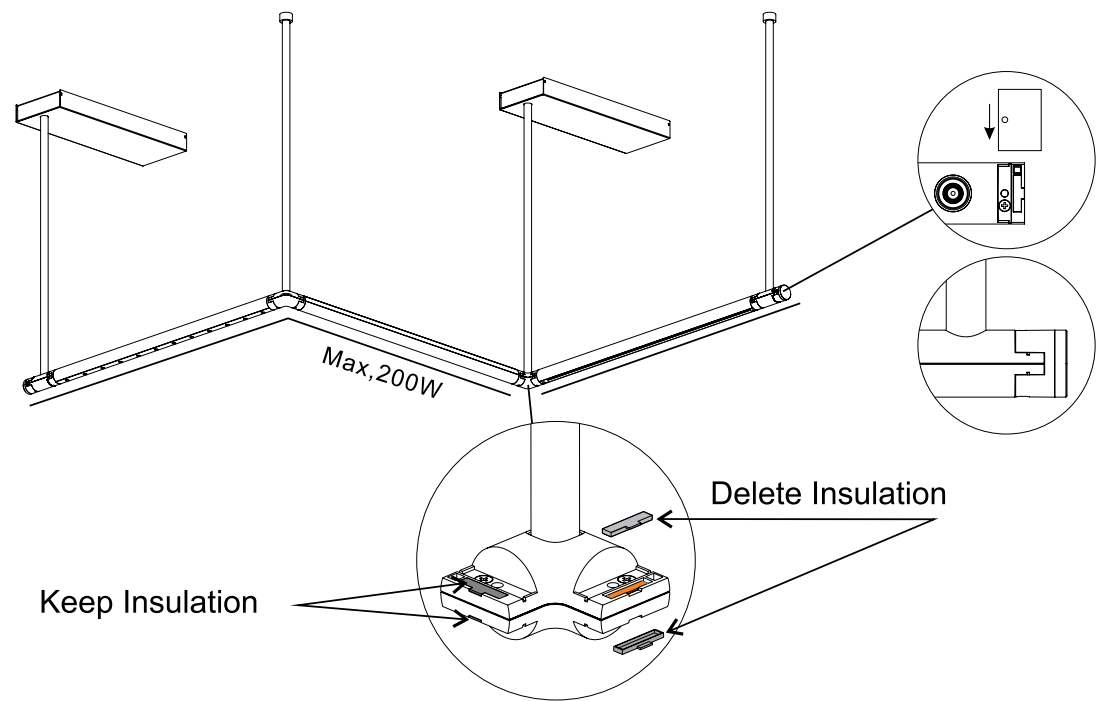
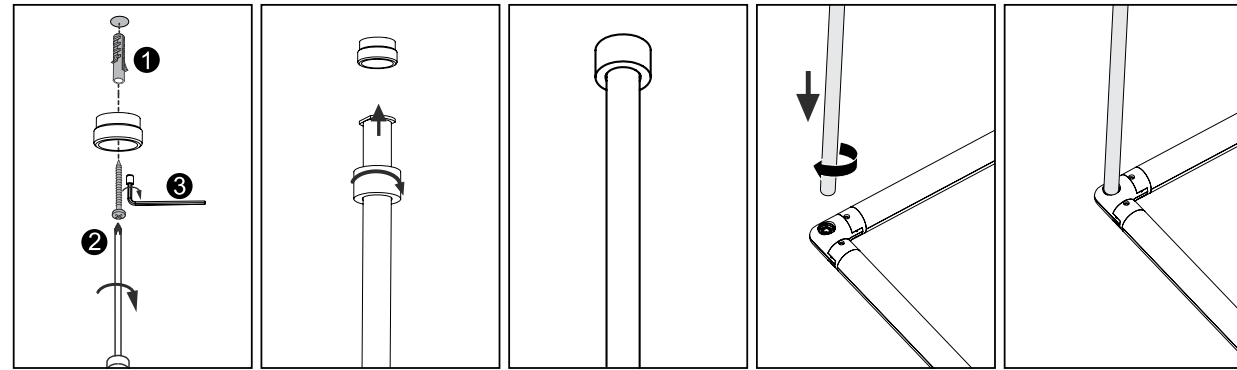
Track Code	Size
23141	635mm
23139	1235mm
23140	1835mm

Power 12W | 24W | 36W  
 Input 48V  
 Color Temperature 3000K  
 Lumen 985Lm | 1831Lm | 2726Lm  
 Cri 90  
 Dimensions Ø: 30mm L: 635mm | 1235mm | 1835mm  
 Beam Angle 20°  
 DALI Dimmable ☉  
 Material Aluminium - Acrylic  
 Color Black Matt

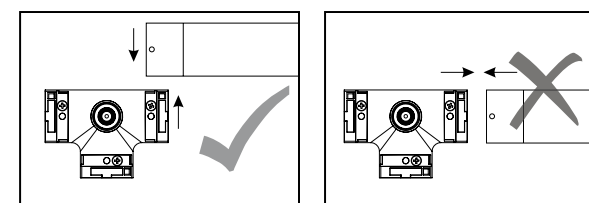
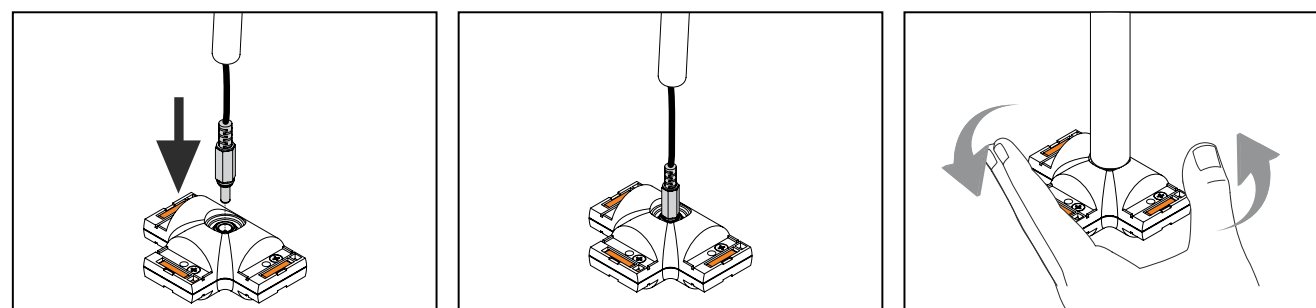
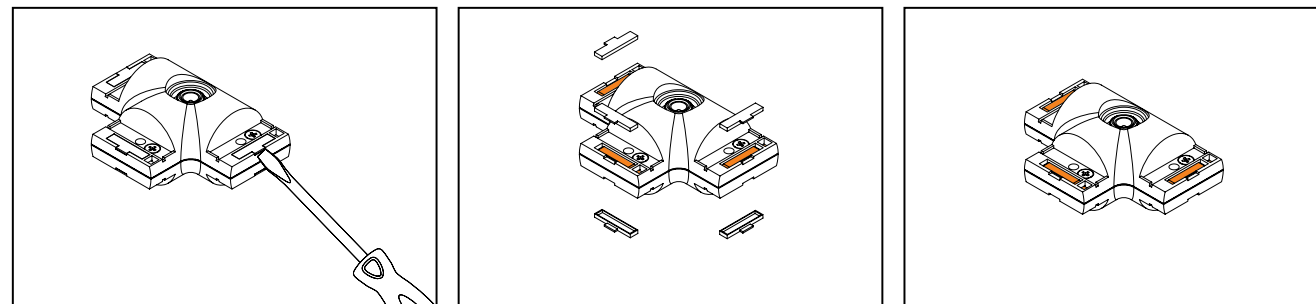
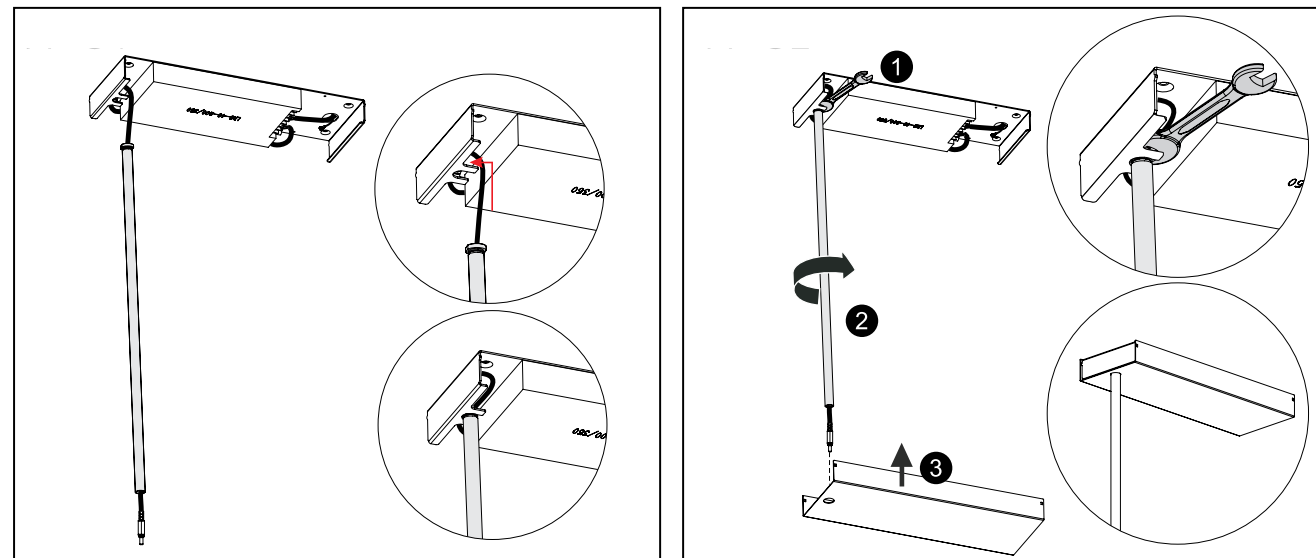
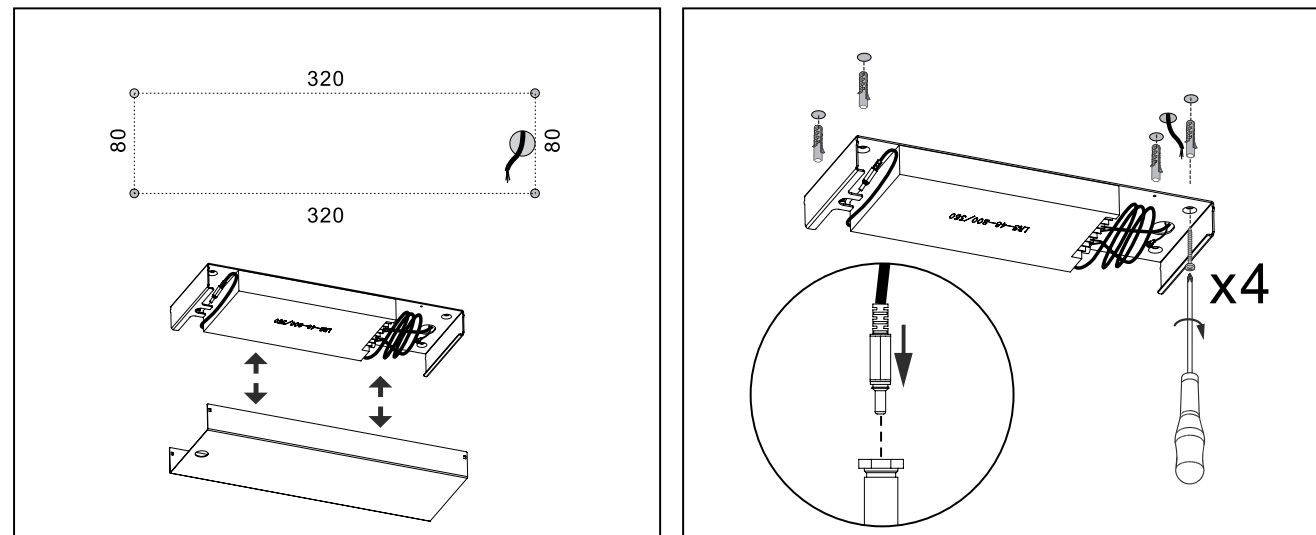


 WARNING

Each group of circuits should not exceed 200W.  
Circuit grouping, need to block the circuit.



# Installation Guide (On/Off Application)



## Power Supply 48V On/Off

Power 200W  
 Input 220-240V  
 Output 48V  
 Dimensions L: 355mm W: 124mm H: 39.5mm  
 Material Metal  
 Special Feature Driver On the Box  
 Color Black Matt / **Code 23154**



## Power Supply 48V DALI Remote

Power 200W  
 Input 220-240V  
 Output 48V  
 Dimensions L: 355mm W: 124mm H: 39.5mm  
 Material Metal  
 Special Feature DALI Driver is out of the box (Remote)  
 Color Black Matt / **Code 23157**

## Feeder Tube

Dimensions Ø: 25mm H: 562mm  
 Material Metal  
 Color Black Matt / **Code 23155**



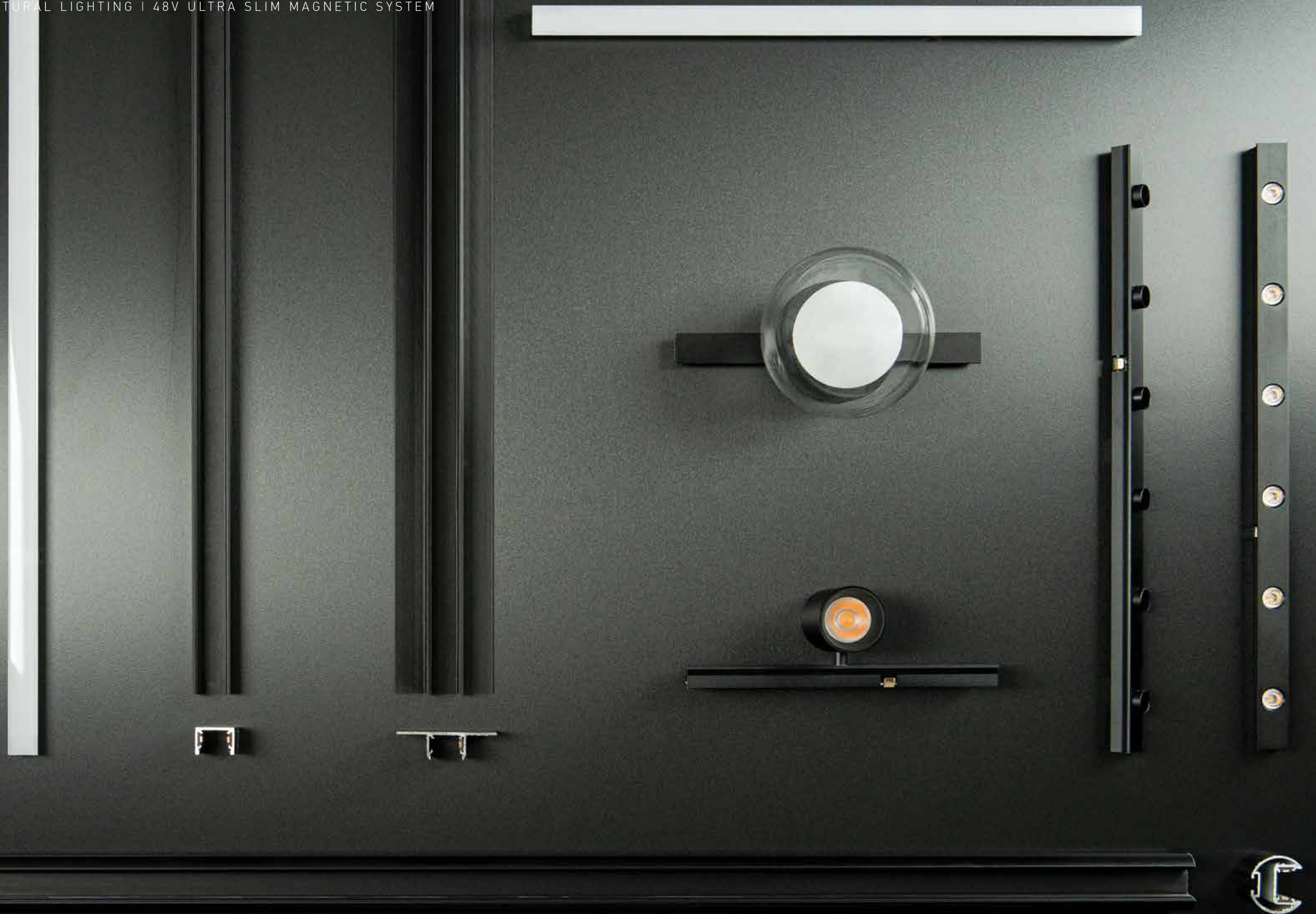
## Pendant Tube

Dimensions Ø: 25mm H: 593mm  
 Material Metal  
 Color Black Matt / **Code 23152**

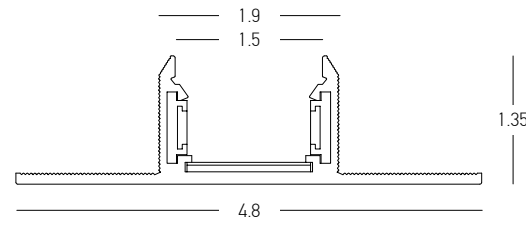


48V ULTRA SLIM MAGNETIC SYSTEM | p.022-035

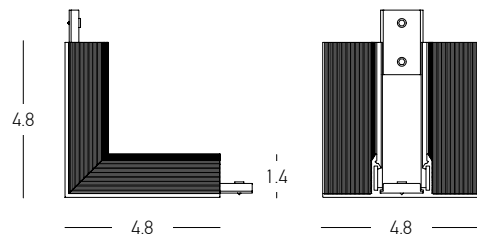




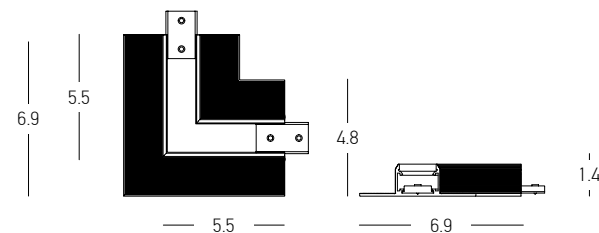
Trimless Slim Magnetic Track : 1m/2m/3m



**CORNER 90° (23133)**  
Vertical Plane



**CORNER 90° (23130)**  
Horizontal Plane



Track Code	Size	Color	Corner Code	Plane	Color
23121	1m	Sandy Black	23133	Vertical	Sandy Black
23122	2m	Sandy Black	23130	Horizontal	Sandy Black
23123	3m	Sandy Black			

Notice : For Vertical corner required also to order 23128 and for Horizontal corner required also to order 23129

Accessories for Trimless Slim Magnetic Track



**End Cap**  
Material Plastic  
Color Black / Code 23262

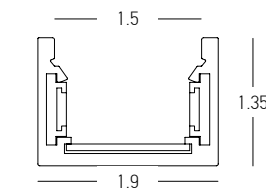


**Straight Mechanic Connector**  
Material Aluminium  
Color Black / Code 23263

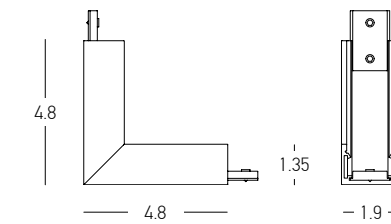


**PC Cover 3m**  
Plastic  
Color Black / Code 23125

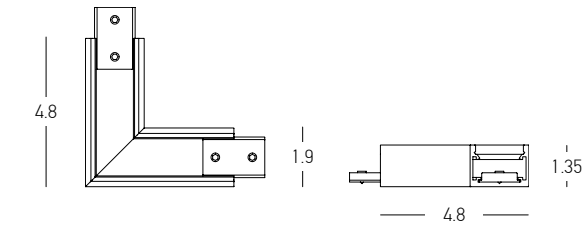
Surface Slim Magnetic Track : 1m/2m/3m



**CORNER 90° (23132)**  
Vertical Plane



**CORNER 90° (23131)**  
Horizontal Plane



Track Code	Size	Color	Corner Code	Plane	Color
23118	1m	Sandy Black	23132	Vertical	Sandy Black
23119	2m	Sandy Black	23131	Horizontal	Sandy Black
23120	3m	Sandy Black			

Notice : For Vertical corner required also to order 23128 and for Horizontal corner required also to order 23129

Accessories for Surface Slim Magnetic Track



**End Cap**  
Material Plastic  
Color Black / Code 23262

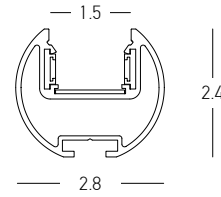


**Straight Mechanic Connector**  
Material Aluminium  
Color Black / Code 23263



**PC Cover 3m**  
Plastic  
Color Black / Code 23125

Pendant Round Magnetic Track : 2m



Input 48V  
 Dimensions L: 200cm Ø: 2.8cm  
 Material Aluminium  
 Color Black Matt / **Code 23124**

Accessories for Round Magnetic Track



**End Cap**  
 Material Plastic  
 Color Black / **Code 23264**



**Straight Mechanic Connector**  
 Material Aluminium  
 Color Black / **Code 23263**

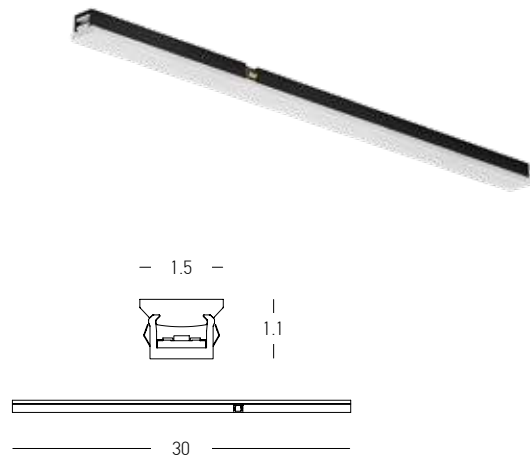


**PC Cover 3m**  
 Material Plastic  
 Color Black / **Code 23125**

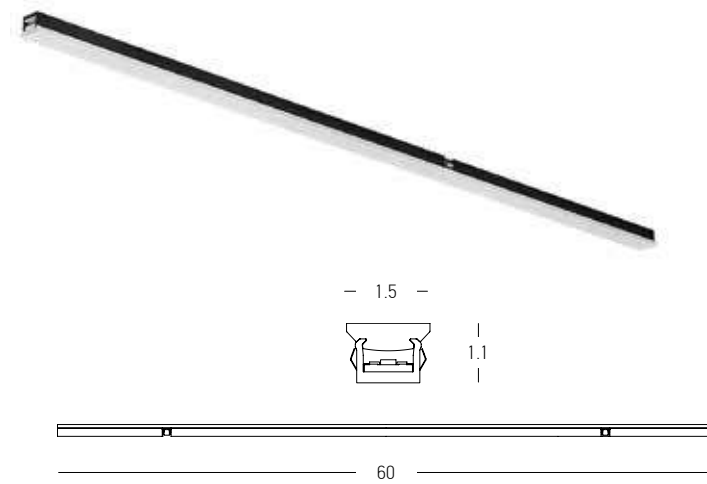


**Pendant Kit with Wire 150cm**  
 Material Metal  
 Color Chrome / **Code 23265**

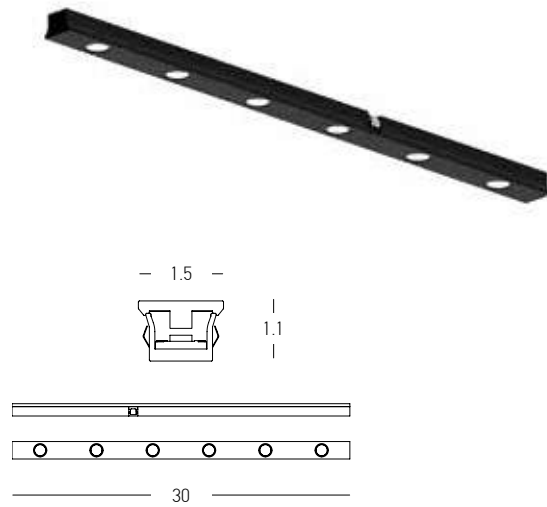




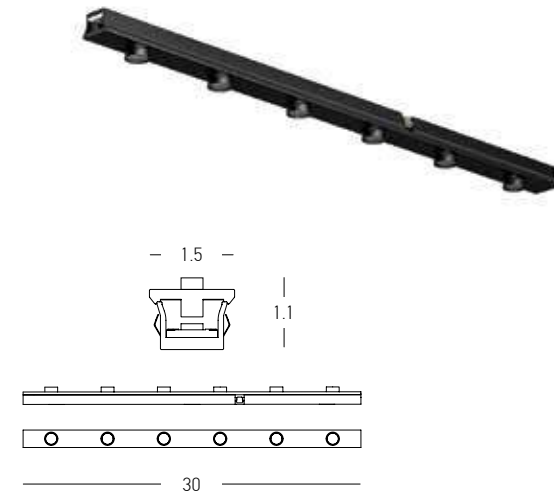
Power 6W  
 Input 48V  
 Color Temperature 3000K  
 Lumen 408Lm  
 Cri 90  
 Dimensions L: 30cm W: 1.5cm H: 1.1cm  
 Beam Angle 110°  
 DALI Dimmable   
 Material Aluminium - PC Diffuser  
 Color Sandy Black / **Code 23110**



Power 12W  
 Input 48V  
 Color Temperature 3000K  
 Lumen 832Lm  
 Cri 90  
 Dimensions L: 60cm W: 1.5cm H: 1.1cm  
 Beam Angle 110°  
 DALI Dimmable   
 Material Aluminium - PC Diffuser  
 Color Sandy Black / **Code 23111**



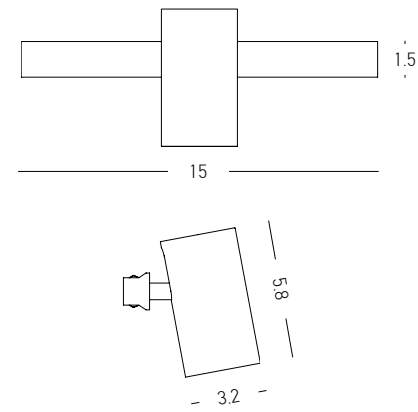
Power 6W  
 Input 48V  
 Color Temperature 3000K  
 Lumen 475Lm  
 Cri 90  
 Dimensions L: 30cm W: 1.5cm H: 1.1cm  
 Beam Angle 36°  
 DALI Dimmable   
 Material Aluminium  
 Color Sandy Black / **Code 23112**



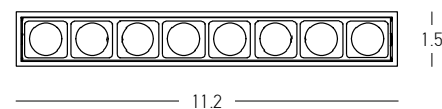
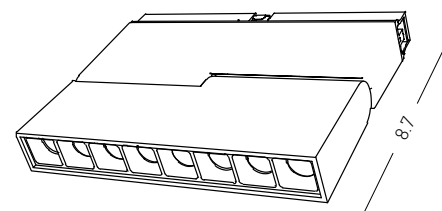
Power 6W  
 Input 48V  
 Color Temperature 3000K  
 Lumen 415Lm  
 Cri 90  
 Dimensions L: 30cm W: 1.5cm H: 1.1cm  
 Beam Angle 36°  
 DALI Dimmable   
 Material Aluminium  
 Color Sandy Black / **Code 23113**



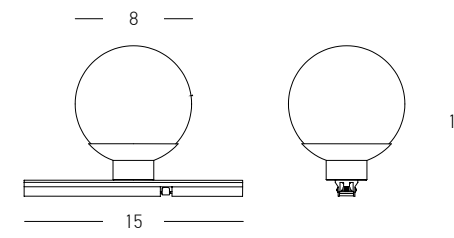




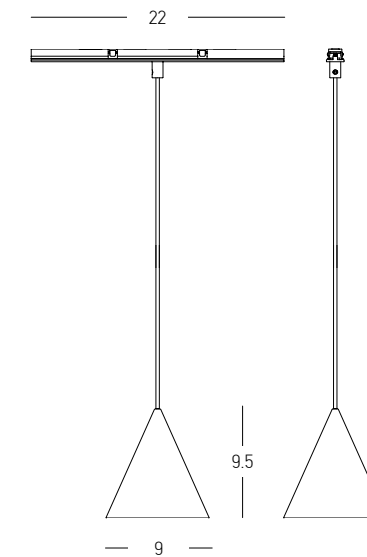
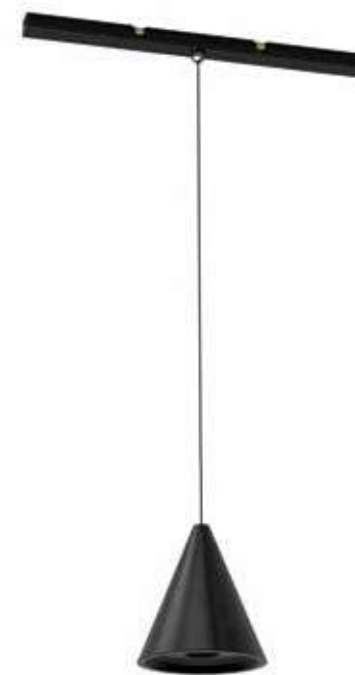
Power 5W  
 Input 48V  
 Color Temperature 3000K  
 Lumen 305Lm  
 Cri 90  
 Dimensions L: 15cm W: 4-5.8cm H: 4.5-7.5cm  
 Spot Dimensions Ø: 3.2cm H: 5.8cm  
 Beam Angle 24°  
 DALI Dimmable ☉  
 Material Aluminium  
 Special Feature Movable Spot  
 Color Sandy Black / **Code 23114**



Power 8W  
 Input 48V  
 Color Temperature 3000K  
 Lumen 554Lm  
 Cri 90  
 Dimensions L: 11.2cm W: 1.5-4.5cm H: 5.5-8.7cm  
 Beam Angle 24°  
 DALI Dimmable ☉  
 Material Aluminium  
 Special Feature Adjustable Grille  
 Color Sandy Black / **Code 23115**



Power 3W  
 Input 48V  
 Color Temperature 3000K  
 Lumen 186Lm  
 Cri 90  
 Dimensions Ø: 8cm  
 Beam Angle 340°  
 DALI Dimmable ☉  
 Material Aluminium - Glass  
 Color Sandy Black / **Code 23117**

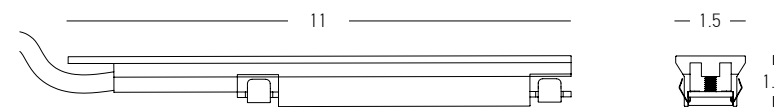


Power 8W  
 Input 48V  
 Color Temperature 3000K  
 Lumen 553Lm  
 Cri 90  
 Dimensions Ø: 9cm H: 9.5cm  
 Beam Angle 36°  
 DALI Dimmable ☉  
 Material Aluminium  
 Special Feature 120cm Cable Available  
 Color Sandy Black / **Code 23116**



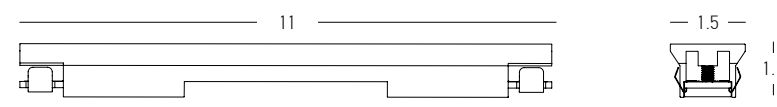
Accessories for 48V Slim - Round Tracks

Feeder for 48V Slim Tracks



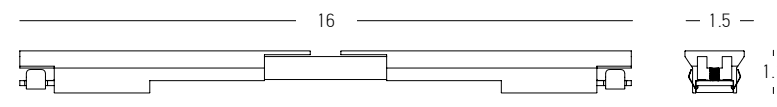
Dimensions L: 11cm W: 1.5cm H: 1.1cm  
 Material Aluminium  
 Special Feature 150cm Available  
 Color Sandy Black / **Code 23126**

Inner Connector for 48V Slim Tracks



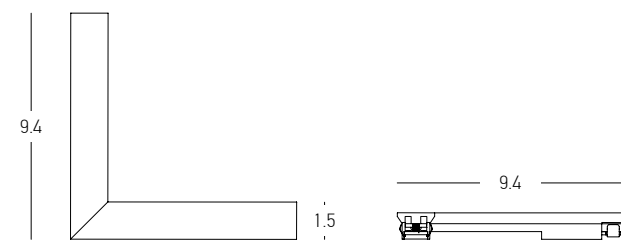
Dimensions L: 11cm W: 1.5cm H: 1.1cm  
 Material Aluminium  
 Color Sandy Black / **Code 23127**

Flex Connector for 48V Slim Tracks



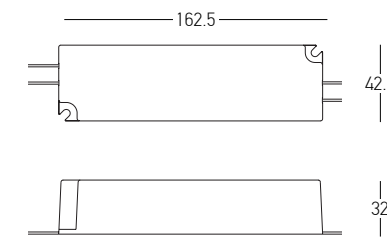
Dimensions L: 16cm W: 1.5cm H: 1.1cm  
 Material Aluminium  
 Color Sandy Black / **Code 23128**

Corner Connector for 48V Slim Tracks

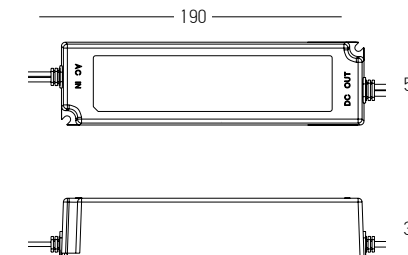


Dimensions L: 9.4cm W: 9.4cm H: 1.1cm  
 Material Aluminium  
 Color Sandy Black / **Code 23129**

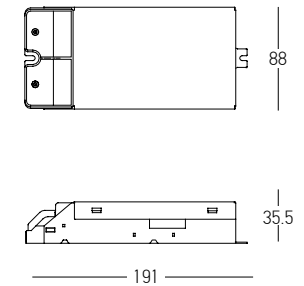
Drivers 48V for Slim - Round Tracks



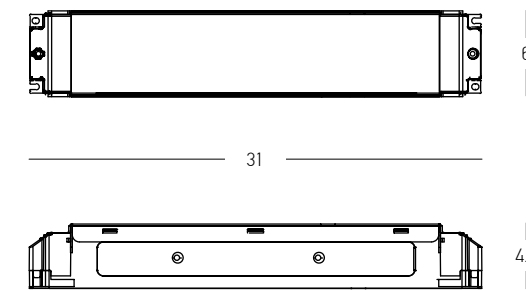
**Remote Driver 60W**  
 48V  
 5Years Guarantee  
 ON-OFF / **Code 20295**



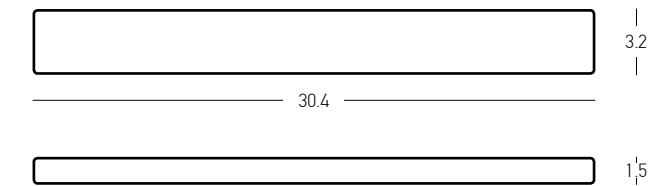
**Remote Driver 100W**  
 48V  
 5Years Guarantee  
 ON-OFF / **Code 20296**



**Remote Driver 150W**  
 48V  
 5Years Guarantee  
 ON-OFF / **Code 20297**



**Remote Driver 200W**  
 48V  
 5Years Guarantee  
 DALI / **Code 23134**



**Driver for Slim - Round Magnetic Tracks**  
 Power 150W  
 Input 220-240 , 50-60Hz  
 Output 48V  
 Special Feature Integrates Into Track  
 Color Black  
 Guarantee 2Years

ON-OFF / **Code 23159**

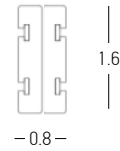


**Ceiling Base**  
 Dimensions Ø: 8cm H: 3.5cm  
 Material Metal  
 Color Sandy Black / **Code 23280**



24V FLEXIBLE CURVED SYSTEM | p.036-043

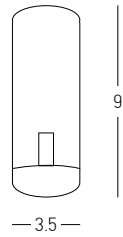
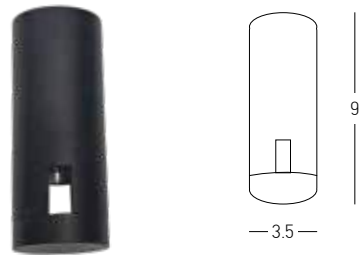




**Flexible Track : 2m | 3m**

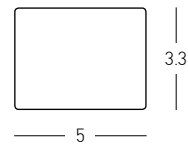
Input 24V  
 Dimensions L: 200cm W: 0.8cm H: 1.6cm  
 Material Aluminium  
 Color Sandy Black / **Code 23178**

Input 24V  
 Dimensions L: 300cm W: 0.8cm H: 1.6cm  
 Material Aluminium  
 Color Sandy Black / **Code 23177**



**Ceiling Base for 24V Flexible Track**

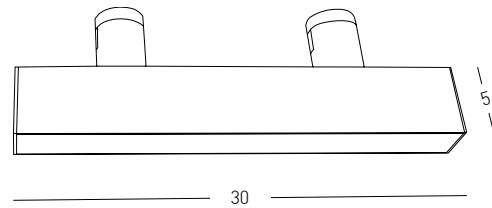
Dimensions Ø: 3.5cm H: 9cm  
 Material Aluminium  
 Color Sandy Black / **Code 23179**



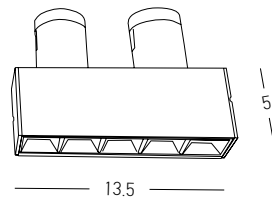
**Track Connector for 24V Flexible Track**

Dimensions L: 5cm W: 2cm H: 3.3cm  
 Material Aluminium  
 Color Sandy Black / **Code 23180**

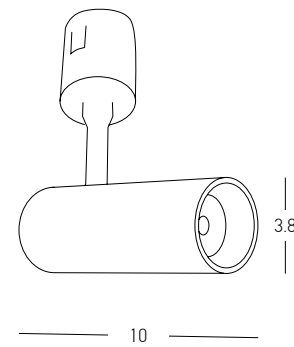




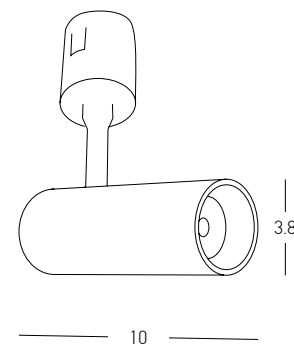
Power 10W  
 Input 24V  
 Color Temperature 3000K  
 Lumen 832Lm  
 Cri 90  
 Dimensions L: 30cm W: 3.4cm H: 5cm  
 Beam Angle 120°  
 DALI Dimmable ☉  
 Material Aluminium - PC Diffuser  
 Special Feature This light can also be used as connector between 2 tracks  
 Color Sandy Black / **Code 23182**



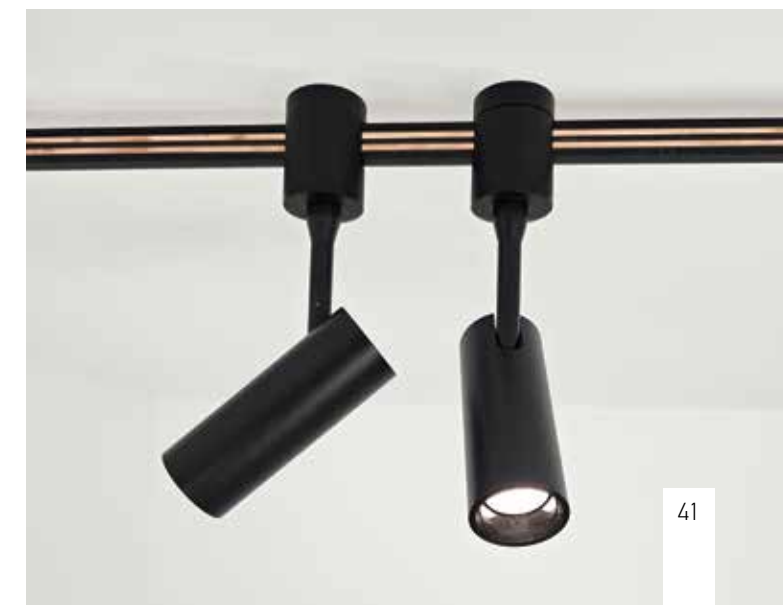
Power 10W  
 Input 24V  
 Color Temperature 3000K  
 Lumen 795Lm  
 Cri 90  
 Dimensions L: 13.5cm W: 3.4cm H: 5cm  
 Beam Angle 40°  
 DALI Dimmable ☉  
 Material Aluminium - Acrylic  
 Color Sandy Black / **Code 23183**

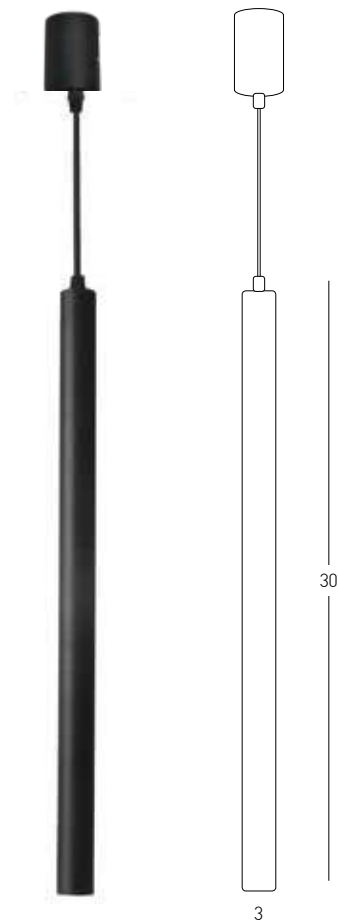


Power 5W  
 Input 24V  
 Color Temperature 3000K  
 Lumen 378Lm  
 Cri 80  
 Dimensions Ø: 3.8cm H: 10cm  
 Beam Angle 36°  
 DALI Dimmable ☉  
 Material Aluminium  
 Color Sandy Black / **Code 23184**

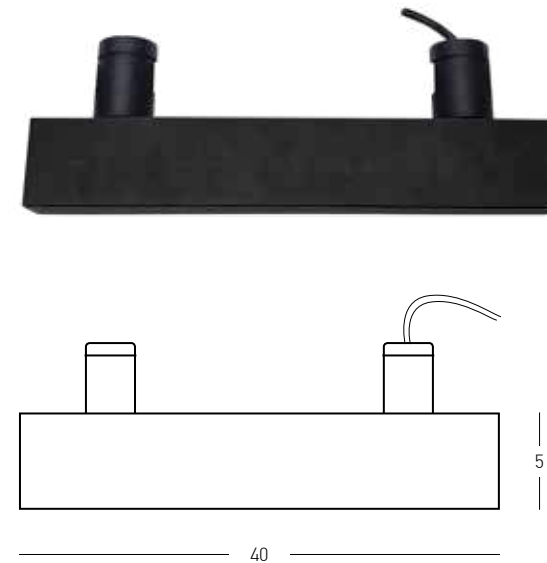


Power 5W  
 Input 24V  
 Color Temperature 3000K  
 Lumen 378Lm  
 Cri 80  
 Dimensions Ø: 3.8cm H: 10cm  
 Beam Angle 36°  
 DALI Dimmable ☉  
 Material Aluminium  
 Color Gold Matt / **Code 23185**





Power 6W  
 Input 24V  
 Color Temperature 3000K  
 Lumen 470Lm  
 Cri 90  
 Dimensions Ø: 3cm H: 30cm  
 Beam Angle 40°  
 DALI Dimmable   
 Material Aluminium  
 Special Feature 120cm Cable Adjustable  
 Color Sandy Black / **Code 23186**



**Box with DALI Driver for 24V Flexible Track**

Power 150W  
 Input 220-240, 50-60Hz  
 Output 24V  
 Dimensions L: 40cm W: 3.5cm H: 5cm  
 DALI Dimmable   
 Material Metal  
 Special Feature 100cm Cable Available  
 Included Ceiling Base  
 D: 8cm for Wire Connection  
 Color Sandy Black / **Code 23181**

Power 60W  
 Input 220-240V, 50/60Hz  
 Output 24V  
 Dimensions W: 4.1cm H: 3.1cm L: 20.1cm  
 Non Dimmable  On-Off  
 ELEMENT 60/220-240/24 G2  
 Material Plastic  
 Special Feature IP 20  
 Color White / **Code 4052899605527**

Power 120W  
 Input 220-240V, 50/60Hz  
 Output 24V  
 Dimensions W: 4.1cm H: 3.1cm L: 26cm  
 Non Dimmable  On-Off  
 ELEMENT 120/220-240/24 G2  
 Material Plastic  
 Special Feature IP 20  
 Color White / **Code 4052899605541**



Power 180W  
 Input 220-240V, 50/60Hz  
 Output 24V  
 Dimensions W: 4cm H: 3.1cm L: 30cm  
 Non Dimmable  On-Off  
 ELEMENT 180/220-240/24 G2  
 Material Plastic  
 Special Feature IP 20  
 Color White / **Code 4052899605565**

Power 250W  
 Input 220-240V, 50/60Hz  
 Output 24V  
 Dimensions W: 3.5cm H: 5cm L: 37.5cm  
 Non Dimmable  On-Off  
 ELEMENT 250/220-240/24 G2  
 Material Plastic  
 Special Feature IP 20  
 Color White / **Code 4062172333467**



Power 5W  
 Input 24V  
 Color Temperature 3000K  
 Lumen 281Lm  
 Cri 80  
 Dimensions Ø: 6cm  
 DALI Dimmable   
 Material Aluminium  
 Color Sandy Black / **Code 23187**  
 Color Gold Matt / **Code 23188**

**Feeder for Remote Driver Application**

Input 24V  
 Dimensions Ø: 3.5cm H: 4.7cm  
 Material Metal  
 Special Feature 100cm Cable Available  
 Included Ceiling Base  
 D: 8cm for Wire Connection  
 Color Sandy Black / **Code 23189**

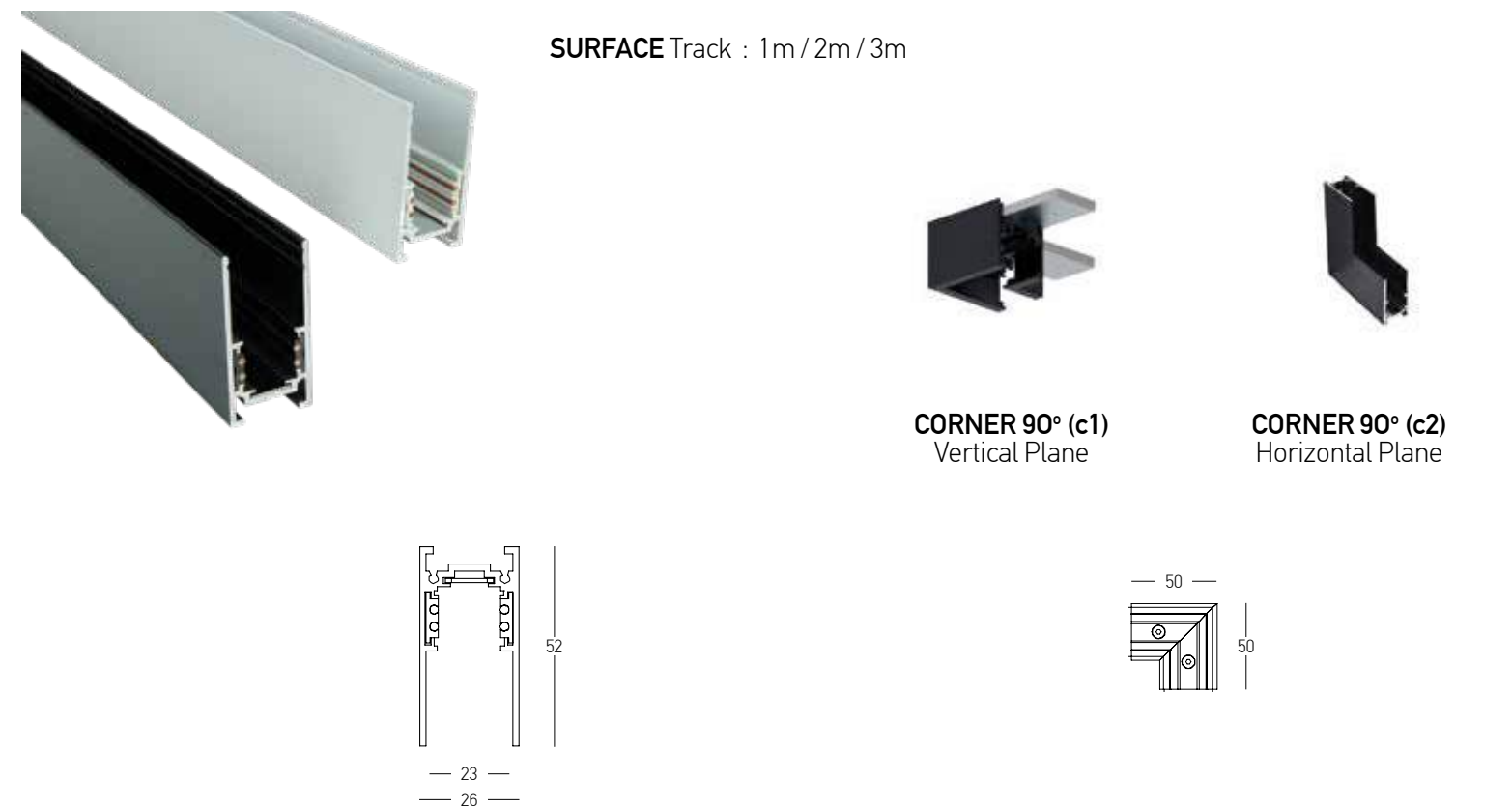
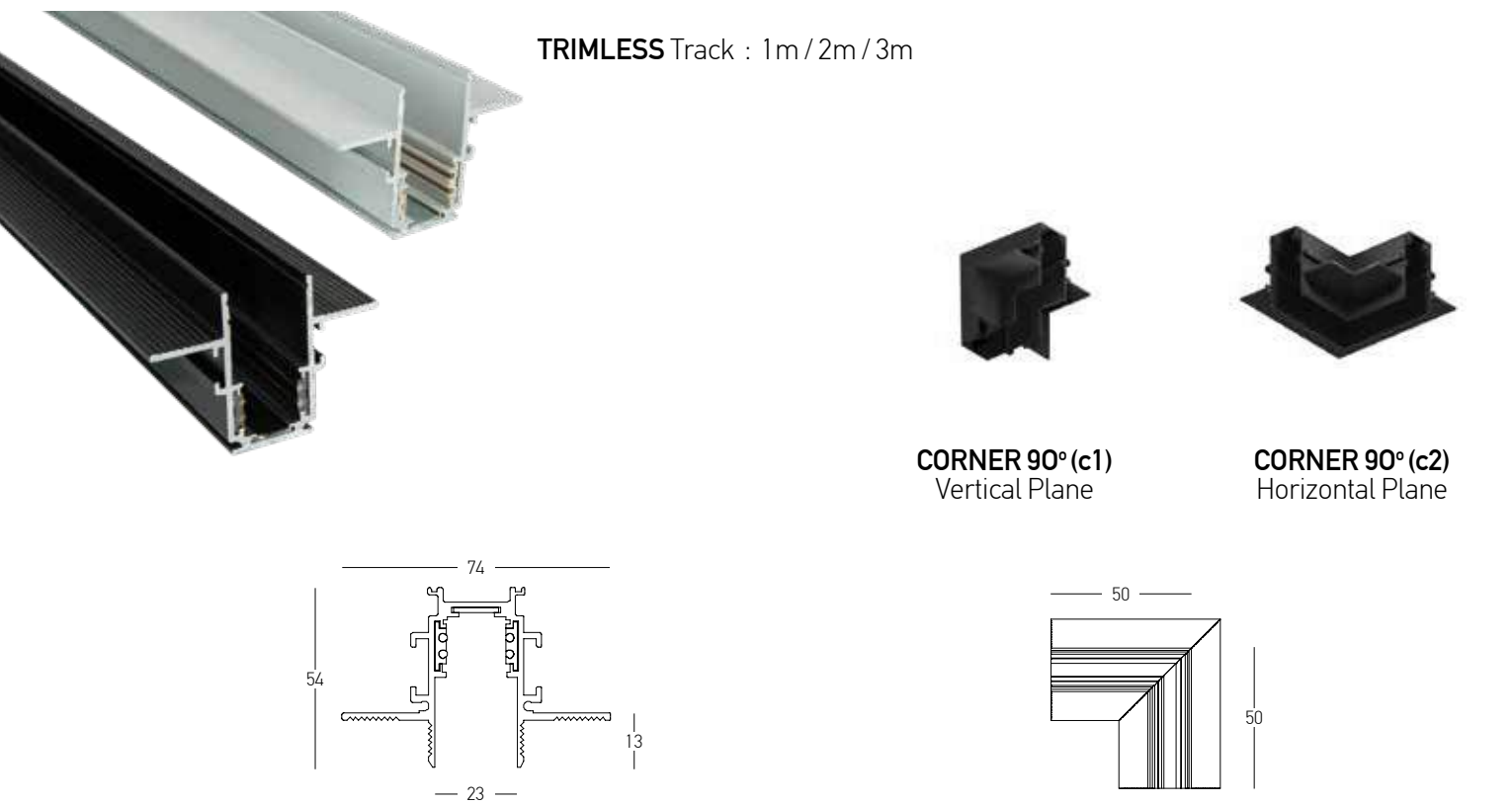


48V LINEAR MAGNETIC SYSTEM | p.044-077









Track Code	Size	Color	Corner Code	Plane	Color
2083B-1	1m	Sandy Black	2083B-C1	Vertical	Sandy Black
2083W-1	1m	Sandy White	2083W-C1	Vertical	Sandy White
2083B-2	2m	Sandy Black	2083B-C2	Horizontal	Sandy Black
2083W-2	2m	Sandy White	2083W-C2	Horizontal	Sandy White
2083B-3	3m	Sandy Black			
2083W-3	3m	Sandy White			

Notice : For corners type C1 required also to order 20105 and for type C2 20104

Track Code	Size	Color	Corner Code	Plane	Color
2082B-1	1m	Sandy Black	2082B-C1	Vertical	Sandy Black
2082W-1	1m	Sandy White	2082W-C1	Vertical	Sandy White
2082B-2	2m	Sandy Black	2082B-C2	Horizontal	Sandy Black
2082W-2	2m	Sandy White	2082W-C2	Horizontal	Sandy White
2082B-3	3m	Sandy Black			
2082W-3	3m	Sandy White			

Notice : For corners type C1 required also to order 20105 and for type C2 20104

Accessories for Track 2083



End Cap  
Material Plastic  
Color Black / Code 2099-B  
Color White / Code 2099-W

PC Cover 3m  
Material Plastic  
Color Black Matt / Code 20107  
Color White Matt / Code 20107-W

Accessories for Track 2082



End Cap  
Material Plastic  
Color Black / Code 2098-B  
Color White / Code 2098-W

Surface Mounted Kit (2pcs)  
Material Stainless Steel  
Code 2082SP

PC Cover 3m  
Material Plastic  
Color Black Matt / Code 20107  
Color White Matt / Code 20107-W

Suspension Kit (2pcs) / Adjustable Wire 2m  
Material Aluminium  
Code 20102-B

Straight Mechanic Connector  
Material Aluminium  
Code 2097-B

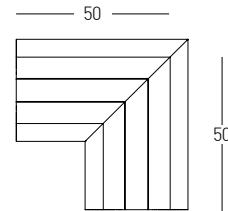
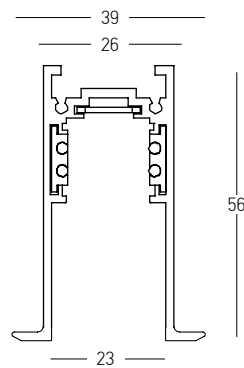


**RECESSED** Track : 1m / 2m / 3m



**CORNER 90° (c1)**  
Vertical Plane

**CORNER 90° (c2)**  
Horizontal Plane



Track Code	Size	Color	Corner Code	Plane	Color
2084B-1	1m	Sandy Black	2084B-C1	Vertical	Sandy Black
2084W-1	1m	Sandy White	2084W-C1	Vertical	Sandy White
2084B-2	2m	Sandy Black	2084B-C2	Horizontal	Sandy Black
2084W-2	2m	Sandy White	2084W-C2	Horizontal	Sandy White
2084B-3	3m	Sandy Black			
2084W-3	3m	Sandy White			

Notice : For corners type C1 required also to order 20105 and for type C2 20104

**Accessories for Track 2084**



End Cap  
Material Metal  
Color Black / Code 20108-1B  
Color White / Code 20108-1W



End Cap  
Material Metal  
Color Black / Code 20108-B  
Color White / Code 20108-W



Recessed Accessorie Kit (2pcs)  
Material Stainless Steel  
Code 20106

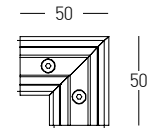
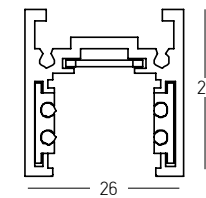


**SURFACE SHORT** Track : 1m / 2m / 3m



**CORNER 90° (c1)**  
Vertical Plane

**CORNER 90° (c2)**  
Horizontal Plane



Track Code	Size	Color	Corner Code	Plane	Color
2085B-1	1m	Sandy Black	2085B-C1	Vertical	Sandy Black
2085W-1	1m	Sandy White	2085W-C1	Vertical	Sandy White
2085B-2	2m	Sandy Black	2085B-C2	Horizontal	Sandy Black
2085W-2	2m	Sandy White	2085W-C2	Horizontal	Sandy White
2085B-3	3m	Sandy Black			
2085W-3	3m	Sandy White			

Notice : For corners type C1 required also to order 20105 and for type C2 20104

**Accessories for Track 2085**



End Cap  
Material Plastic  
Color Black / Code 20101-B  
Color White / Code 20101-W



Suspension Kit (2pcs) / Adjustable Wire 2m  
Material Aluminium  
Code 20102



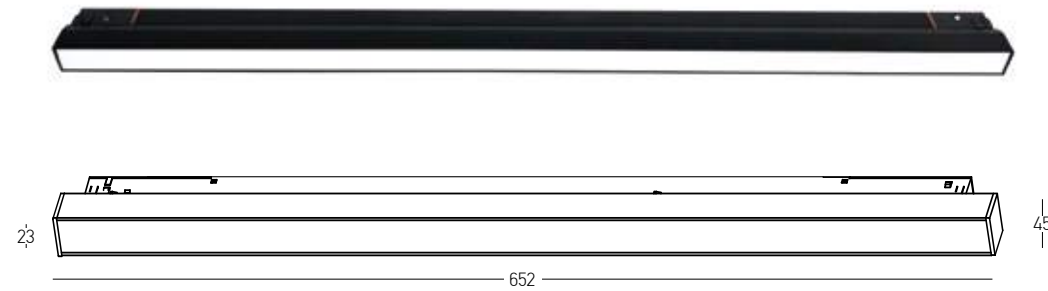
Straight Mechanic Connector  
Material Aluminium  
Code 2097



Power 12W  
 Input 48V  
 Color Temperature 3000K  
 Lumen 779Lm  
 Cri 80  
 Dimensions L: 328mm W: 23mm H: 45mm  
 Beam Angle 120°  
 DALI Dimmable   
 Material Aluminium - PC Diffuser  
 Color Sandy Black / **Code 2087**



Power 12W  
 Input 48V  
 Color Temperature 3000K  
 Lumen 779Lm  
 Cri 80  
 Dimensions L: 328mm W: 23mm H: 45mm  
 Beam Angle 120°  
 Non Dimmable   
 Material Aluminium - PC Diffuser  
 Color Sandy Black / **Code 2086**

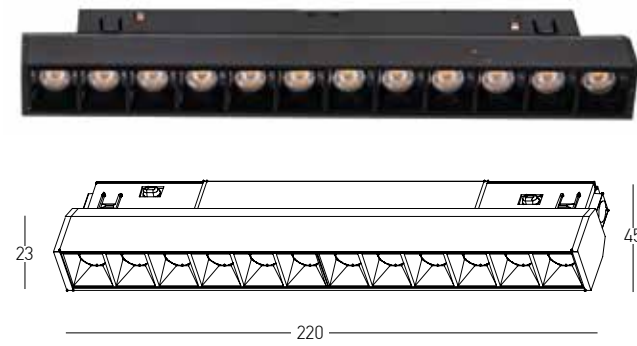


Power 20W  
 Input 48V  
 Color Temperature 2700K | 3000K | 4000K  
 Lumen 1655Lm | 1669Lm | 1897Lm  
 Cri 80  
 Dimensions L: 652mm W: 23mm H: 45mm  
 Beam Angle 120°  
 DALI Dimmable   
 Material Aluminium - PC Diffuser  
 Color 3000K Sandy Black / **Code 2089**  
 Color 4000K Sandy Black / **Code 2089-4B**  
 Color 2700K Sandy Black / **Code 2089-27B**



Power 20W  
 Input 48V  
 Color Temperature 3000K  
 Lumen 1669Lm  
 Cri 80  
 Dimensions L: 652mm W: 23mm H: 45mm  
 Beam Angle 120°  
 Non Dimmable   
 Material Aluminium - PC Diffuser  
 Color Sandy Black / **Code 2088**



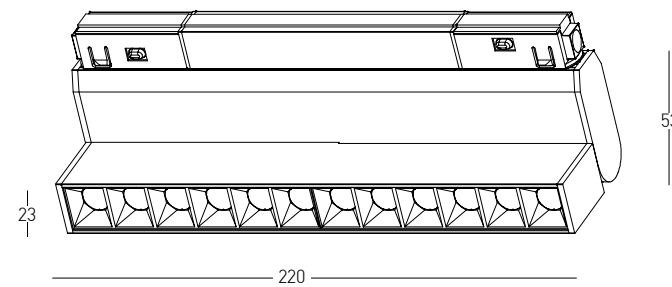


Power 8W  
 Input 48V  
 Color Temperature 2700K | 3000K | 4000K  
 Lumen 675Lm | 693Lm | 713Lm  
 Cri 80  
 Dimensions L: 220mm W: 23mm H: 45mm  
 Beam Angle 30°  
 DALI Dimmable   
 Material Aluminium - Acrylic  
 Color 3000K Sandy Black / **Code 2091**  
 Color 4000K Sandy Black / **Code 2091-4B**  
 Color 2700K Sandy Black / **Code 2091-27B**

OSRAM

Power 8W  
 Input 48V  
 Color Temperature 3000K  
 Lumen 693Lm  
 Cri 80  
 Dimensions L: 220mm W: 23mm H: 45mm  
 Beam Angle 30°  
 Non Dimmable   
 Material Aluminium - Acrylic  
 Color Sandy Black / **Code 2090**

OSRAM



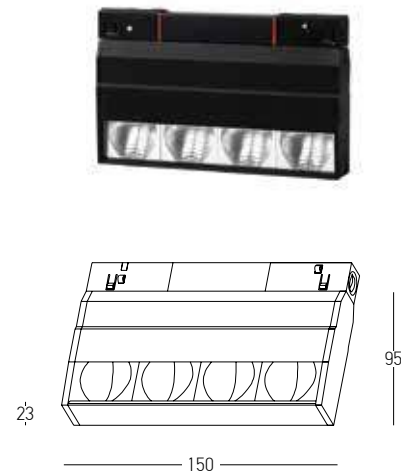
Power 12W  
 Input 48V  
 Color Temperature 3000K  
 Lumen 1021Lm  
 Cri 80  
 Dimensions L: 220mm W: 23mm H: 53mm  
 Beam Angle 30°  
 DALI Dimmable   
 Material Aluminium - Acrylic  
 Color Sandy Black / **Code 20291**

OSRAM

Power 12W  
 Input 48V  
 Color Temperature 3000K  
 Lumen 1021Lm  
 Cri 80  
 Dimensions L: 220mm W: 23mm H: 53mm  
 Beam Angle 30°  
 Non Dimmable   
 Material Aluminium - Acrylic  
 Color Sandy Black / **Code 20290**

OSRAM





Power 10W  
 Input 48V  
 Color Temperature 3000K  
 Lumen 945Lm  
 Cri 80  
 Dimensions L: 150mm W: 23mm H: 95mm  
 Beam Angle Asymmetric 50°  
 DALI Dimmable   
 Material Aluminium - Acrylic  
 Color Sandy Black / **Code 2092-D**

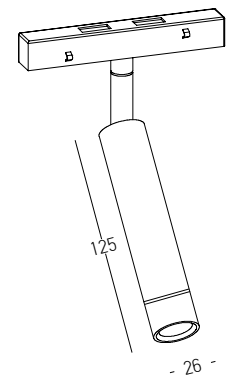


Power 10W  
 Input 48V  
 Color Temperature 3000K  
 Lumen 945Lm  
 Cri 80  
 Dimensions L: 150mm W: 23mm H: 95mm  
 Beam Angle Asymmetric 50°  
 Non Dimmable   
 Material Aluminium - Acrylic  
 Color Sandy Black / **Code 2092**

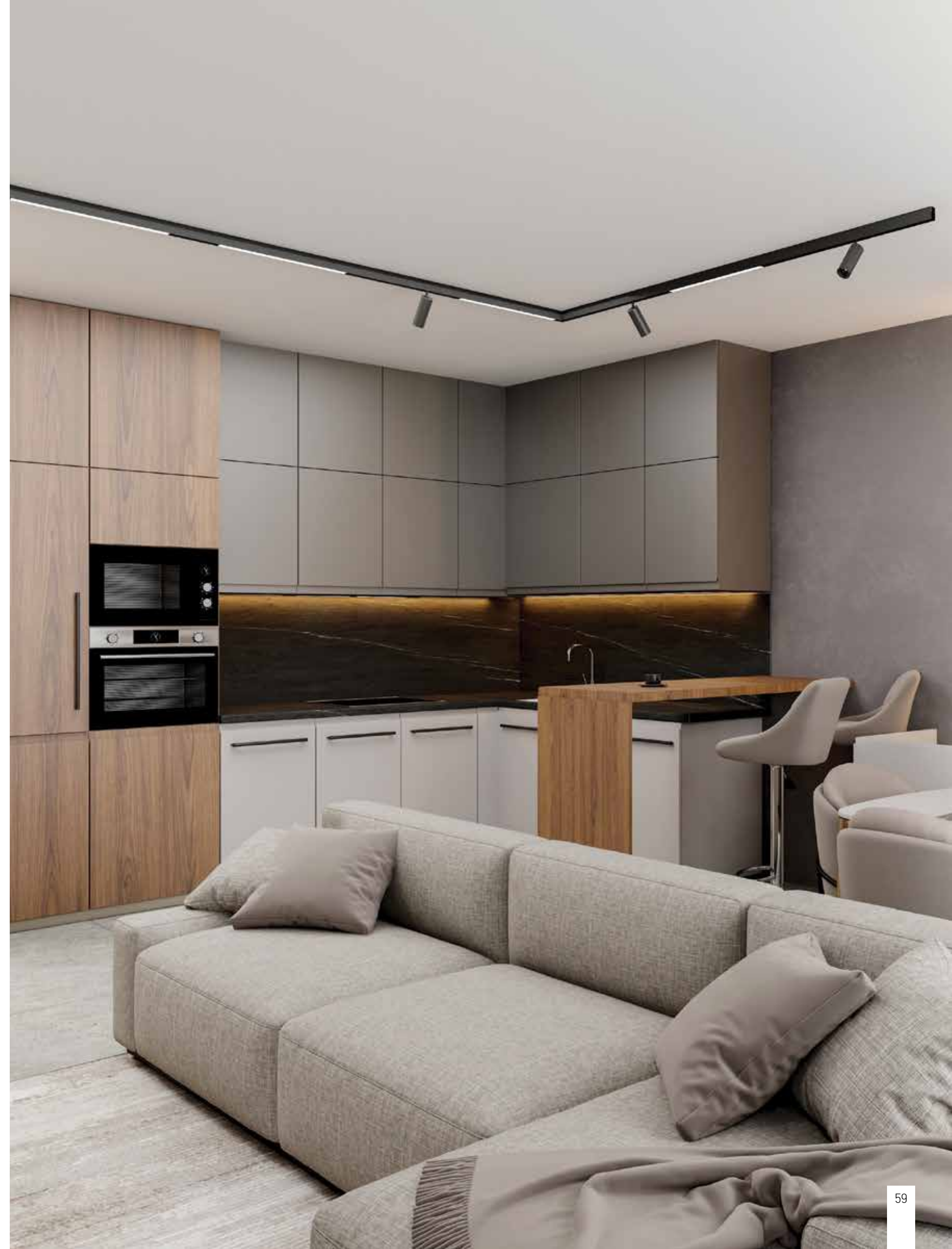




Power 5W  
 Input 48V  
 Color Temperature 3000K  
 Lumen 414Lm  
 Cri 80  
 Dimensions Ø: 26mm H: 125mm  
 Beam Angle 24°  
 DALI Dimmable   
 Material Aluminium  
 Color Sandy Black / **Code 2094**

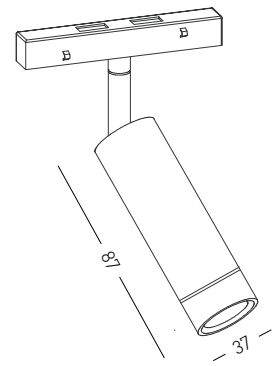


Power 5W  
 Input 48V  
 Color Temperature 3000K  
 Lumen 414Lm  
 Cri 80  
 Dimensions Ø: 26mm H: 125mm  
 Beam Angle 24°  
 Non Dimmable   
 Material Aluminium  
 Color Sandy Black / **Code 2093**





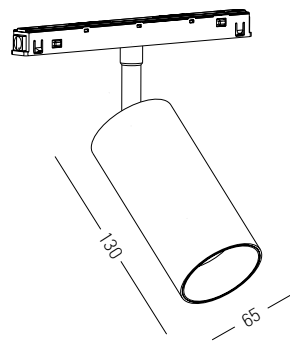
Power 7W  
 Input 48V  
 Color Temperature 2700K | 3000K  
 Lumen 565Lm | 580Lm  
 Cri 80  
 Dimensions Ø: 37mm H: 87mm  
 Beam Angle 32°  
 DALI Dimmable   
 Material Aluminium  
 Color 3000K Sandy Black / Code 20400-BD  
 Color 2700K Sandy Black / Code 20407-BD



Power 7W  
 Input 48V  
 Color Temperature 3000K | 4000K  
 Lumen 580Lm | 605Lm  
 Cri 80  
 Dimensions Ø: 37mm H: 87mm  
 Beam Angle 32°  
 Non Dimmable   
 Material Aluminium  
 Color 3000K Sandy Black / Code 20402-B  
 Color 4000K Sandy Black / Code 20406

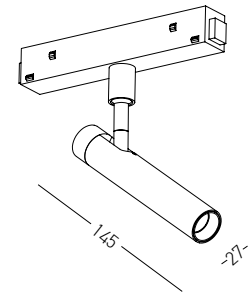


Power 15W  
 Input 48V  
 Color Temperature 3000K | 4000K  
 Lumen 1284Lm | 1312Lm  
 Cri 80  
 Dimensions Ø: 65mm H: 130mm  
 Beam Angle 24°  
 DALI Dimmable   
 Material Aluminium  
 Color 3000K Sandy Black / Code 20413  
 Color 4000K Sandy Black / Code 20415

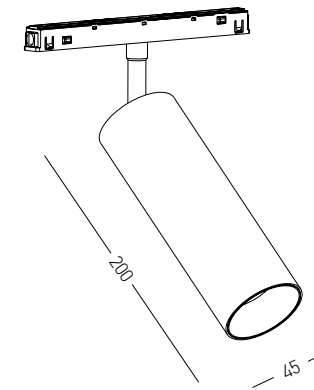


Power 15W  
 Input 48V  
 Color Temperature 3000K | 4000K  
 Lumen 1284Lm | 1312Lm  
 Cri 80  
 Dimensions Ø: 65mm H: 130mm  
 Beam Angle 24°  
 Non Dimmable   
 Material Aluminium  
 Color 3000K Sandy Black / Code 20410  
 Color 4000K Sandy Black / Code 20411





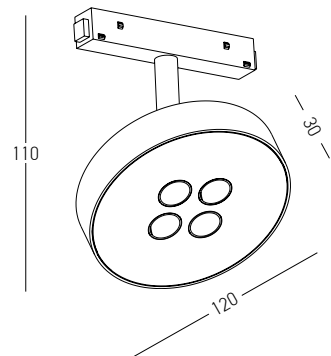
Power 5W  
 Input 48V  
 Color Temperature 3000K  
 Lumen 363Lm  
 Cri 80  
 Dimensions  $\varnothing$ : 27mm H: 145mm  
 Beam Angle 24°  
 Non Dimmable   
 Material Aluminium  
 Color Sandy Black / **Code 20179**  
 Color Gold / **Code 20180**



Power 15W  
 Input 48V  
 Color Temperature 3000K  
 Lumen 1225Lm  
 Cri 80  
 Dimensions  $\varnothing$ : 45mm H: 200mm  
 Beam Angle 24°  
 DALI Dimmable   
 Material Aluminium  
 Color Sandy Black / **Code 2095-D**



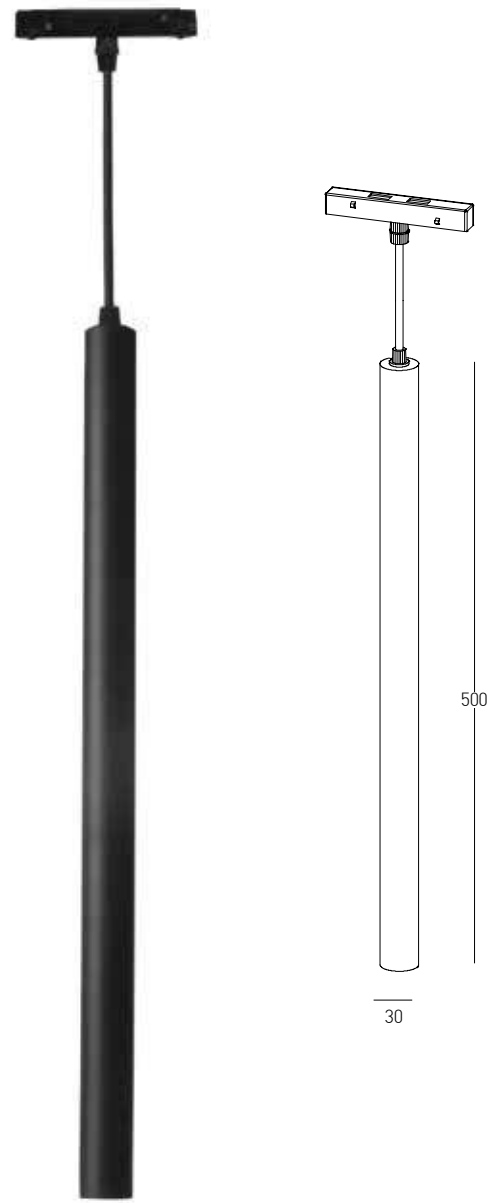
Power 15W  
 Input 48V  
 Color Temperature 3000K  
 Lumen 1225Lm  
 Cri 80  
 Dimensions  $\varnothing$ : 45mm H: 200mm  
 Beam Angle 24°  
 Non Dimmable   
 Material Aluminium  
 Color Sandy Black / **Code 2095**



Power 12W  
 Input 48V  
 Color Temperature 3000K  
 Lumen 763Lm  
 Cri 80  
 Dimensions  $\varnothing$ : 120mm H: 110mm  
 Beam Angle 38°  
 Non Dimmable   
 Material Aluminium  
 Color Sandy Black / **Code 20177**  
 Color Sandy White / **Code 20178**





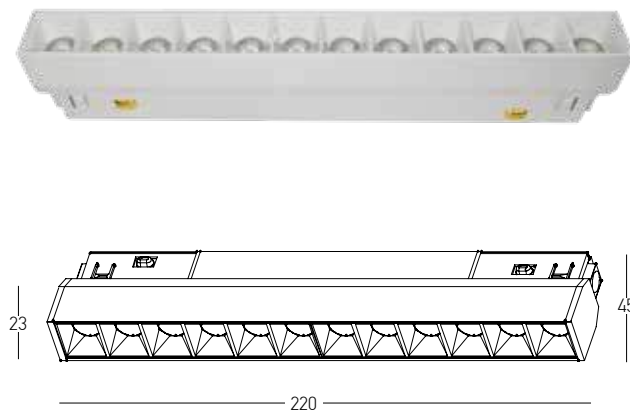


Power 7W  
 Input 48V  
 Color Temperature 3000K  
 Lumen 431Lm  
 Cri 80  
 Dimensions Ø: 30mm H: 500mm  
 Beam Angle 24°  
 DALI Dimmable   
 Material Aluminium  
 Special Feature 100cm Cable Adjustable  
 Color Sandy Black / **Code 2081-D**  
 Color Sandy White / **Code 2081-WD**



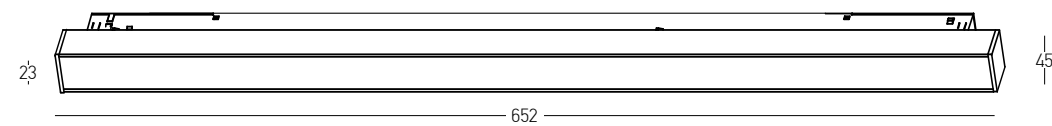
Power 7W  
 Input 48V  
 Color Temperature 3000K  
 Lumen 431Lm  
 Cri 80  
 Dimensions Ø: 30mm H: 500mm  
 Beam Angle 24°  
 Non Dimmable   
 Material Aluminium  
 Special Feature 100cm Cable Adjustable  
 Color Sandy Black / **Code 2081**  
 Color Sandy White / **Code 2081-W**





Power 8W  
 Input 48V  
 Color Temperature 3000K  
 Lumen 693Lm  
 Cri 80  
 Dimensions L: 220mm W: 23mm H: 45mm  
 Beam Angle 30°  
 DALI Dimmable   
 Material Aluminium - Acrylic  
 Color Sandy White / Code 2091-3W

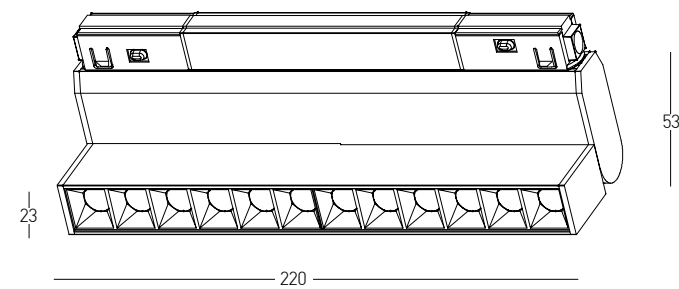
OSRAM



Power 20W  
 Input 48V  
 Color Temperature 3000K | 4000K  
 Lumen 1669Lm | 1897Lm  
 Cri 80  
 Dimensions L: 652mm W: 23mm H: 45mm  
 Beam Angle 120°  
 DALI Dimmable   
 Material Aluminium - PC Diffuser  
 Color 3000K Sandy White / Code 2089-3W  
 Color 4000K Sandy White / Code 2089-4W

OSRAM



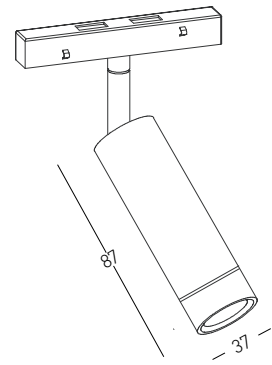


Power	12W
Input	48V
Color Temperature	3000K
Lumen	1021Lm
Cri	80
Dimensions	L: 220mm W: 23mm H: 53mm
Beam Angle	30°
DALI Dimmable	○
Material	Aluminium - Acrylic
Color	Sandy White / Code 20291-W





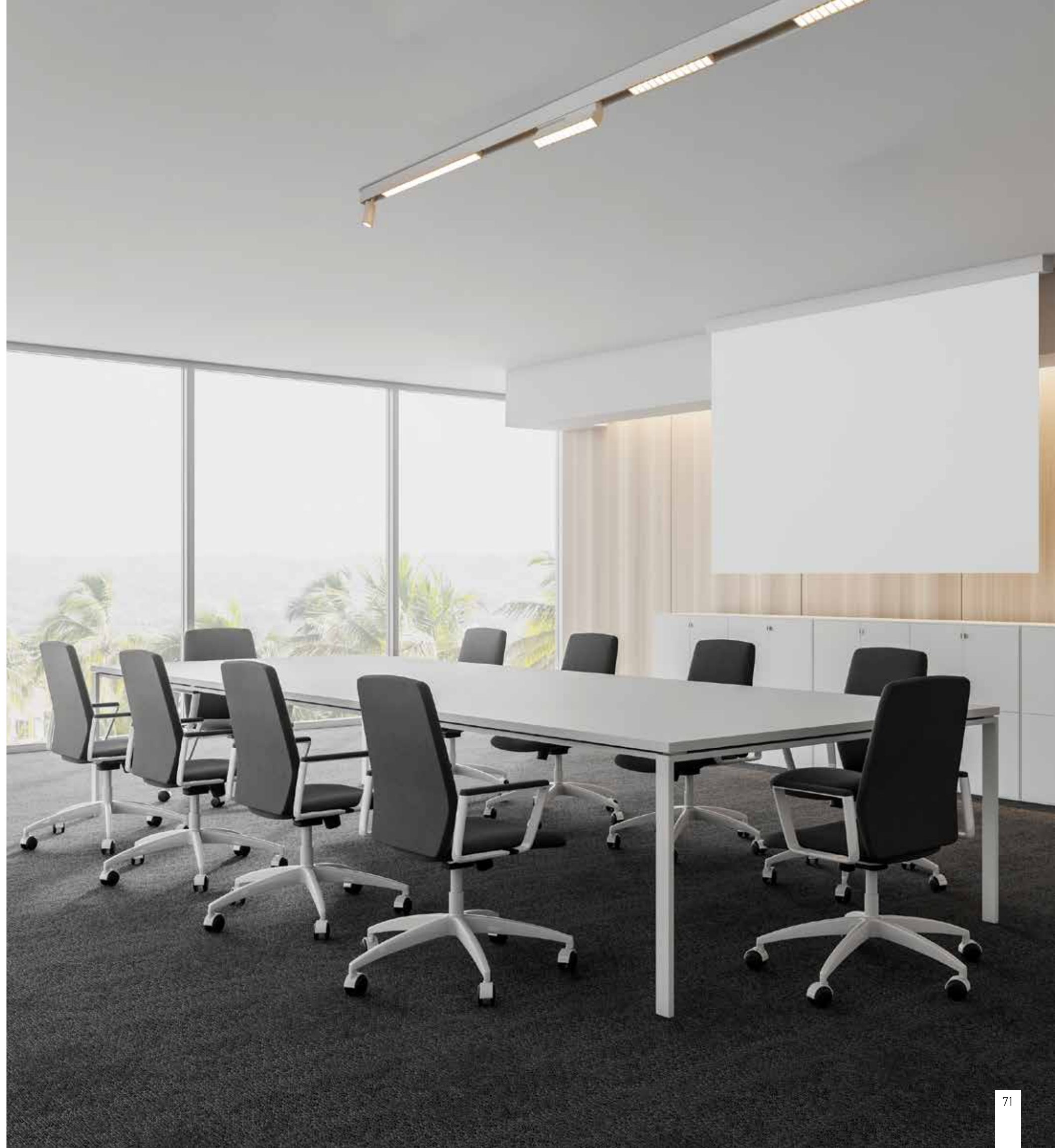
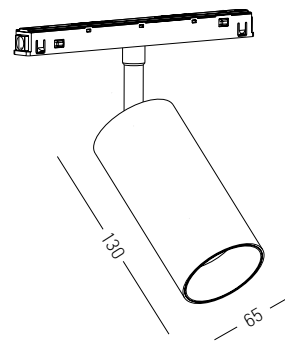
Power 7W  
 Input 48V  
 Color Temperature 3000K | 4000K  
 Lumen 580Lm | 605Lm  
 Cri 80  
 Dimensions Ø: 37mm H: 87mm  
 Beam Angle 32°  
 DALI Dimmable   
 Material Aluminium  
 Color 3000K Sandy White / Code 20401-WD  
 Color 4000K Sandy White / Code 20404



Power 7W  
 Input 48V  
 Color Temperature 3000K | 4000K  
 Lumen 580Lm | 605Lm  
 Cri 80  
 Dimensions Ø: 37mm H: 87mm  
 Beam Angle 32°  
 Non Dimmable   
 Material Aluminium  
 Color 3000K Sandy White / Code 20403-W  
 Color 4000K Sandy White / Code 20405

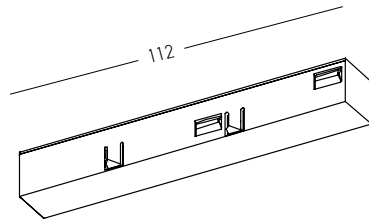


Power 15W  
 Input 48V  
 Color Temperature 3000K | 4000K  
 Lumen 1284Lm | 1312Lm  
 Cri 80  
 Dimensions Ø: 65mm H: 130mm  
 Beam Angle 24°  
 DALI Dimmable   
 Material Aluminium  
 Color 3000K Sandy White / Code 20412  
 Color 4000K Sandy White / Code 20414

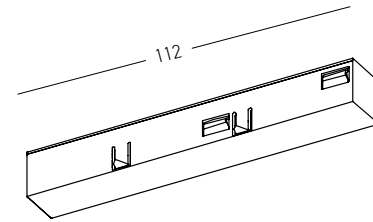


**Accessories for All Tracks**

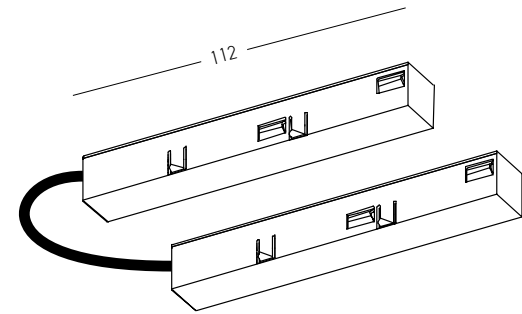
Color : Black (RAL 9005)



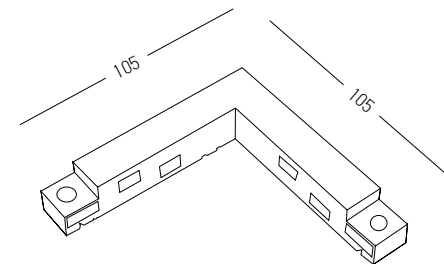
Feeder for 48V Magnetic Tracks  
30cm Cable Available  
**Code 2096 / Color Black**  
**Code 2096-W / Color White**



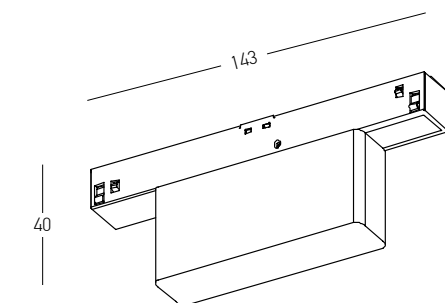
Feeder for 48V Magnetic Tracks  
200cm Cable Available  
**Code 2096-2M / Color Black**  
**Code 2096-W2M / Color White**



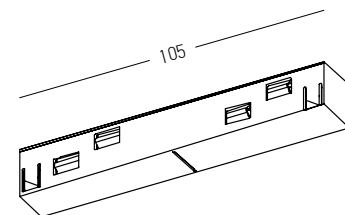
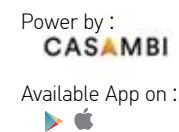
Flex Connector with Cable for 48V Magnetic Tracks  
**Code 20105 / Color Black**  
**Code 20105-W / Color White**



Corner Connector for 48V Magnetic Tracks  
**Code 20104 / Color Black**  
**Code 20104-W / Color White**



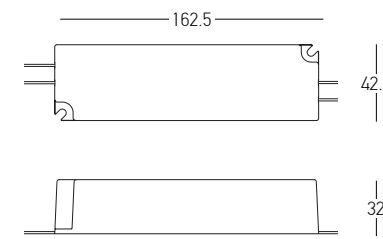
Wireless Control for 48V Magnetic Tracks  
Bluetooth DALI  
**Code 20293**



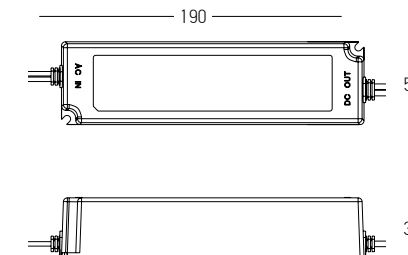
Inner Connector for 48V Magnetic Tracks  
**Code 20103 / Color Black**  
**Code 20103-W / Color White**

\*Dimensions Indicated In Millimeters

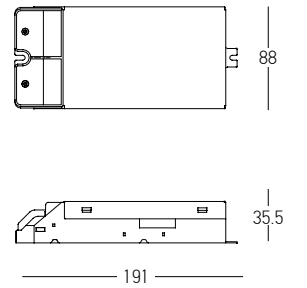
**Remote Drivers**



**Remote Driver 60W**  
48V  
5Years Guarantee  
ON-OFF / **Code 20295**  
DALI KIT / **Code 20322**  
PUSH BUTTON KIT / **Code 20300**  
BLUETOOTH KIT / **Code 20303**



**Remote Driver 100W**  
48V  
5Years Guarantee  
ON-OFF / **Code 20296**  
DALI KIT / **Code 20298**  
PUSH BUTTON KIT / **Code 20301**  
BLUETOOTH KIT / **Code 20304**



**Remote Driver 150W**  
48V  
5Years Guarantee  
ON-OFF / **Code 20297**  
DALI KIT / **Code 20299**  
PUSH BUTTON KIT / **Code 20302**  
BLUETOOTH KIT / **Code 20305**

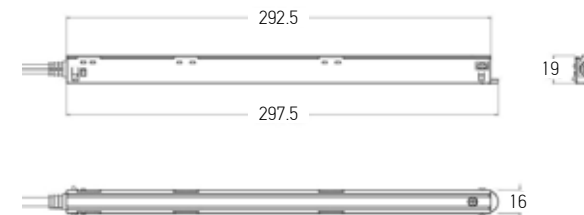
**Integrated Drivers**



MAGNETIC TRACK 2085

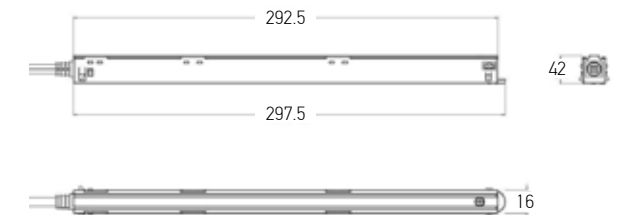


MAGNETIC TRACK 2082



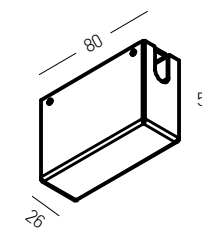
**DALI Driver for Surface Magnetic Track**  
Power 100W  
Input 220-240 , 50-60Hz  
Output 48V  
Special Feature Fully Integrates Into Track 2085 | 2082  
Color Black  
Guarantee 5Years

DALI / **Code 22269**

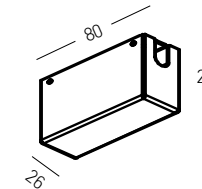


**DALI Driver for Surface Magnetic Track**  
Power 250W  
Input 220-240 , 50-60Hz  
Output 48V  
Special Feature Fully Integrates Into Track 2082  
Color Black  
Guarantee 5Years

DALI / **Code 22294**

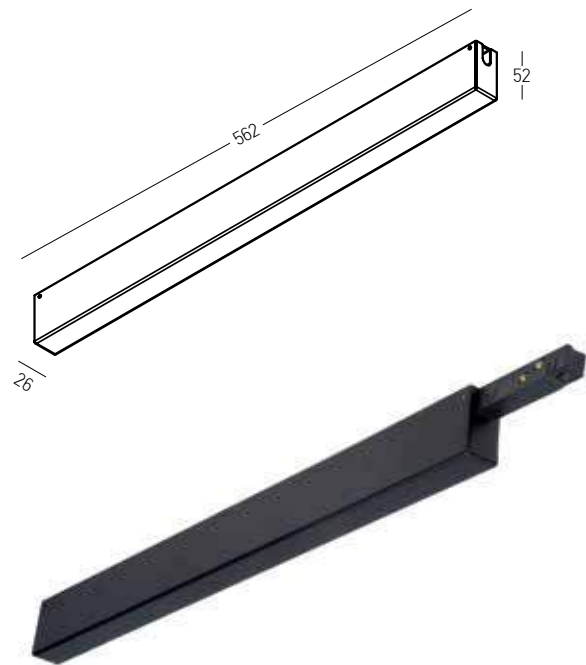


**Ceiling Box for Cable Connection for 2082 Tracks**  
Dimensions L: 80mm W: 26mm H: 52mm  
Color Sandy Black / **Code 22290**  
Sandy White / **Code 22291**



**Ceiling Box for Cable Connection for 2085 Tracks**  
Dimensions L: 80mm W: 26mm H: 29mm  
Color Sandy Black / **Code 22292**  
Sandy White / **Code 22293**

**Driver Box for Ceiling Application**



**Surface Mount Base with Driver for Surface Magnetic Track**

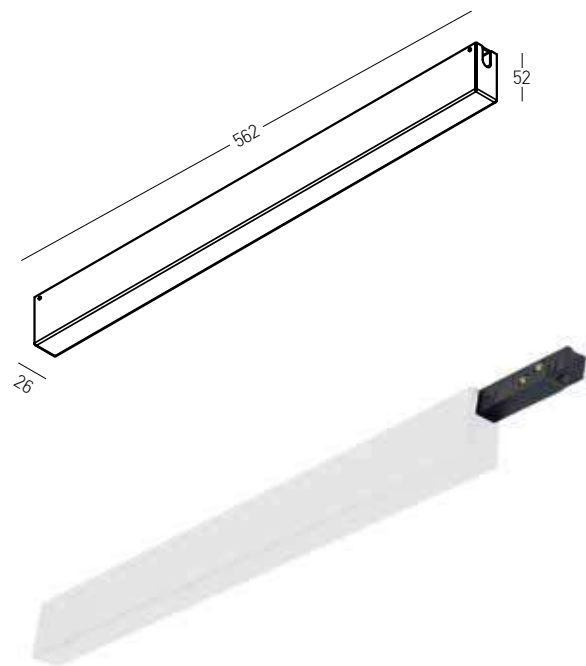
Power 100W  
 Input 220-240 , 50-60Hz  
 Output 48V  
 Special Feature Included 48V Feeder  
 Color Sandy Black  
 Guarantee 5Years

ON-OFF / Code 20306-B  
 DALI KIT / Code 20308-B  
 PUSH BUTTON KIT / Code 20310-B  
 BLUETOOTH KIT / Code 20312-B

**Surface Mount Base with Driver for Surface Magnetic Track**

Power 200W  
 Input 220-240 , 50-60Hz  
 Output 48V  
 Special Feature Included 48V Feeder  
 Color Sandy Black  
 Guarantee 5Years

ON-OFF / Code 20307-B  
 DALI KIT / Code 20309-B  
 PUSH BUTTON KIT / Code 20311-B  
 BLUETOOTH KIT / Code 20313-B



**Surface Mount Base with Driver for Surface Magnetic Track**

Power 100W  
 Input 220-240 , 50-60Hz  
 Output 48V  
 Special Feature Included 48V Feeder  
 Color Sandy White  
 Guarantee 5Years

ON-OFF / Code 20306-W  
 DALI KIT / Code 20308-W  
 PUSH BUTTON KIT / Code 20310-W  
 BLUETOOTH KIT / Code 20312-W

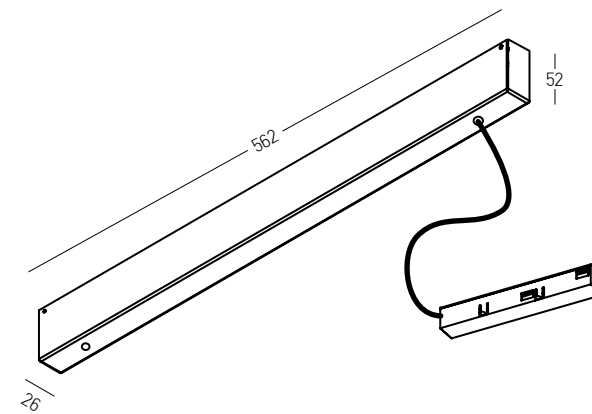
**Surface Mount Base with Driver for Surface Magnetic Track**

Power 200W  
 Input 220-240 , 50-60Hz  
 Output 48V  
 Special Feature Included 48V Feeder  
 Color Sandy White  
 Guarantee 5Years

ON-OFF / Code 20307-W  
 DALI KIT / Code 20309-W  
 PUSH BUTTON KIT / Code 20311-W  
 BLUETOOTH KIT / Code 20313-W



**Driver Box for Pendant Application**



**Pendant Base with Driver for Surface Magnetic Track**

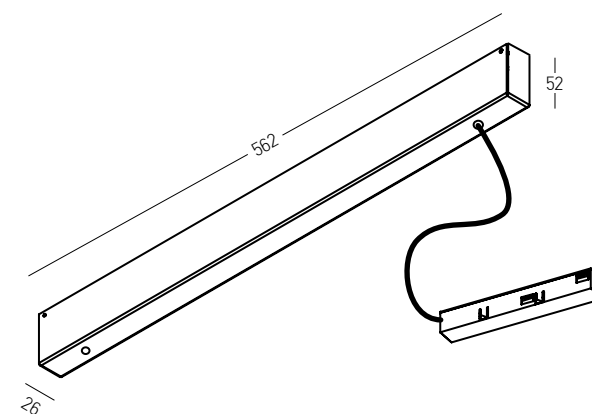
Power 100W  
 Input 220-240 , 50-60Hz  
 Output 48V  
 Special Feature 200cm Cable Available - 48V Feeder  
 Color Sandy Black  
 Guarantee 5Years

ON-OFF / Code 20314-B  
 DALI KIT / Code 20316-B  
 PUSH BUTTON KIT / Code 20318-B  
 BLUETOOTH KIT / Code 20320-B

**Pendant Base with Driver for Surface Magnetic Track**

Power 200W  
 Input 220-240 , 50-60Hz  
 Output 48V  
 Special Feature 200cm Cable Available - 48V Feeder  
 Color Sandy Black  
 Guarantee 5Years

ON-OFF / Code 20315-B  
 DALI KIT / Code 20317-B  
 PUSH BUTTON KIT / Code 20319-B  
 BLUETOOTH KIT / Code 20321-B



**Pendant Base with Driver for Surface Magnetic Track**

Power 100W  
 Input 220-240 , 50-60Hz  
 Output 48V  
 Special Feature 200cm Cable Available - 48V Feeder  
 Color Sandy White  
 Guarantee 5Years

ON-OFF / Code 20314-W  
 DALI KIT / Code 20316-W  
 PUSH BUTTON KIT / Code 20318-W  
 BLUETOOTH KIT / Code 20320-W

**Pendant Base with Driver for Surface Magnetic Track**

Power 200W  
 Input 220-240 , 50-60Hz  
 Output 48V  
 Special Feature 200cm Cable Available - 48V Feeder  
 Color Sandy White  
 Guarantee 5Years

ON-OFF / Code 20315-W  
 DALI KIT / Code 20317-W  
 PUSH BUTTON KIT / Code 20319-W  
 BLUETOOTH KIT / Code 20321-W

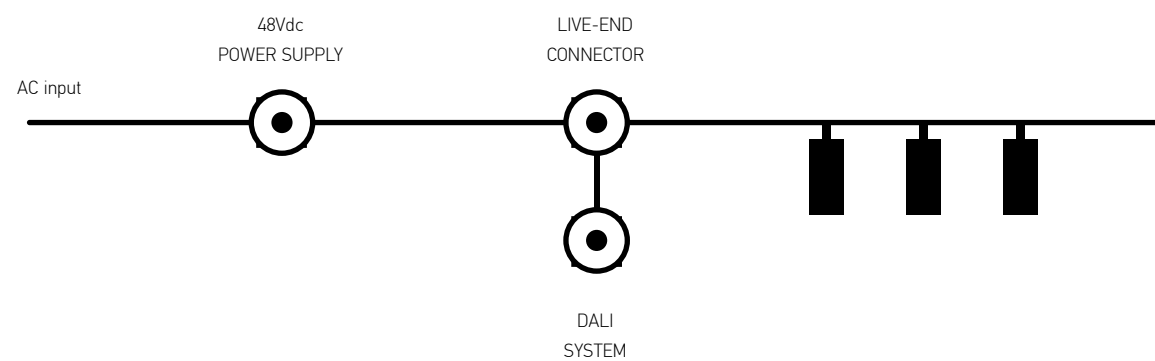


**CASAMBI READY** wireless control for DALI luminaires

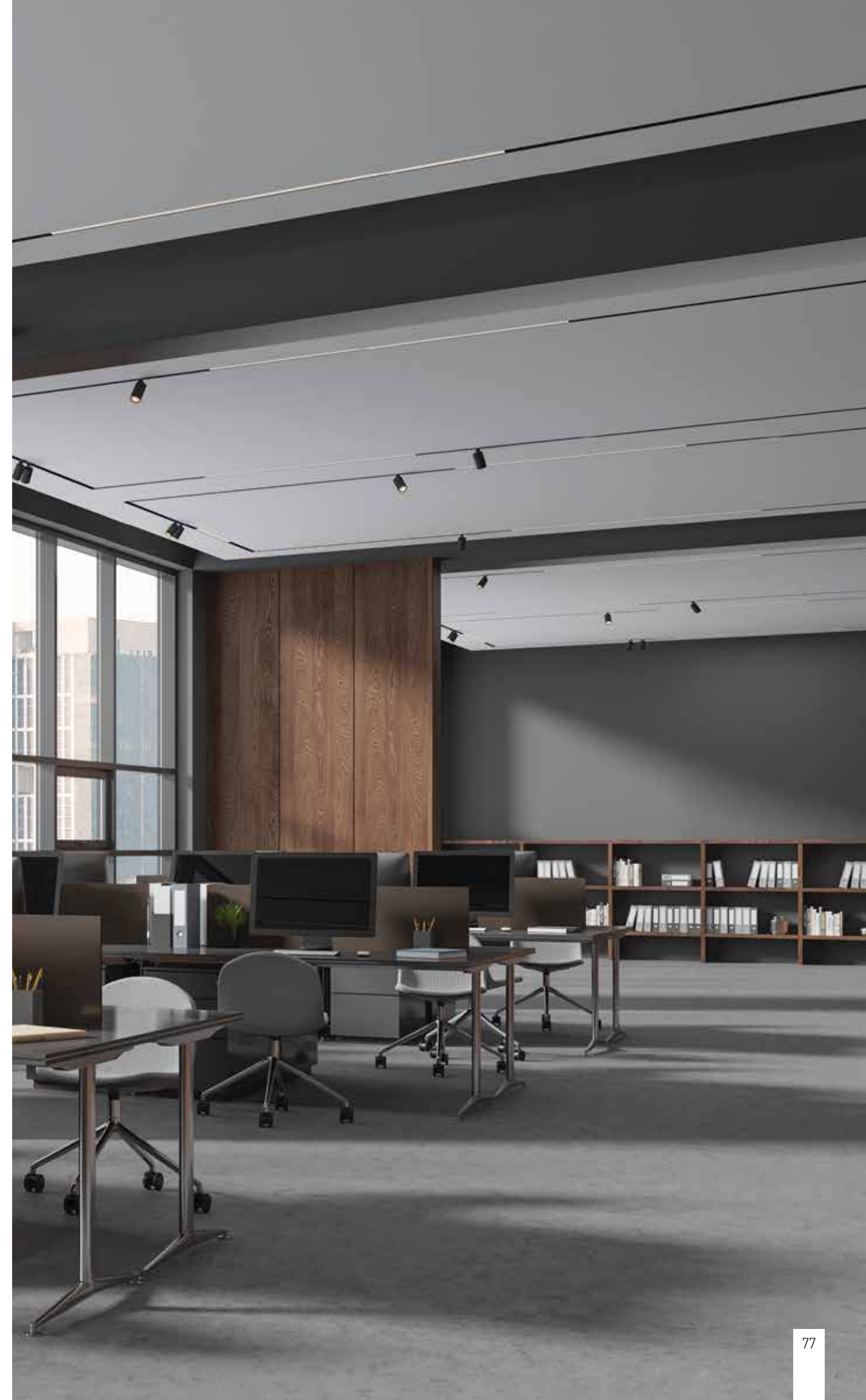
The Zambelis 48V tracks are compatible with CASAMBI control system, which permits bidirectional communication between control device and luminaires, making it possible for the user to create scenes, regulate the system from smart devices, etc.

With the CASAMBI control system and its Control wireless variants, the user has total control over the installation, with all the features available in low voltage alternatives. The 48V system does not mean relinquishing the leading edge in control for architectural lighting.

Power by :  
**CASAMBI**  
 Available App on :



DESIGN YOUR OWN LIGHTING...

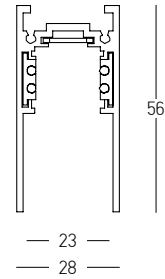


48V ROUNDED RECTANGLE MAGNETIC SYSTEM | p.078-091

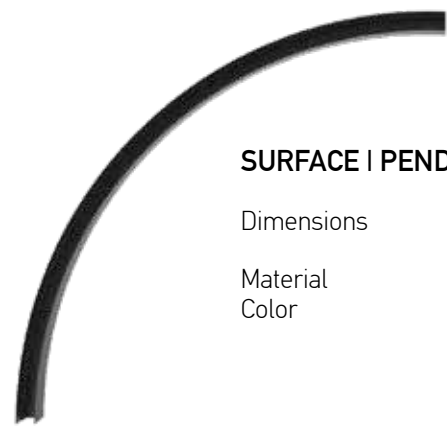




**SURFACE | PENDANT Track : 1m / 2m / 3m**

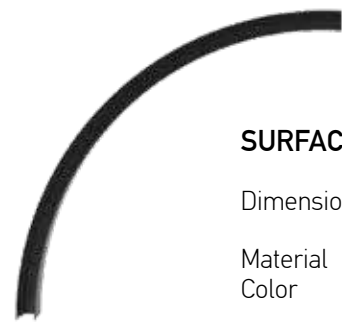
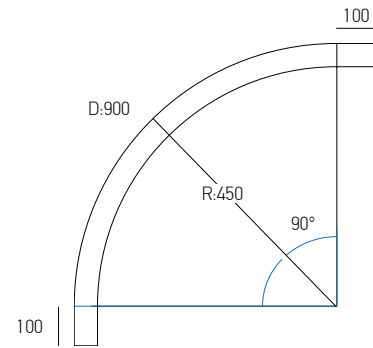
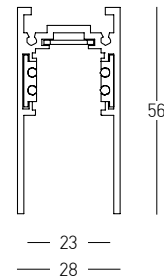


Track Code	Size	Color
22273B-1	1m	Sandy Black
22273B-2	2m	Sandy Black
22273B-3	3m	Sandy Black



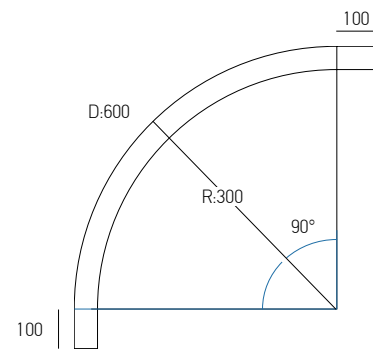
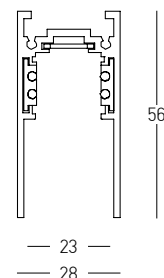
**SURFACE | PENDANT Curved Track**

Dimensions    Ø: 900mm  
 L: 706mm  
 Material        Aluminium  
 Color            Sandy Black  
**Code 22277**

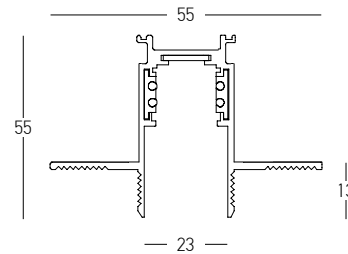


**SURFACE | PENDANT Curved Track**

Dimensions    Ø: 600mm  
 L: 471mm  
 Material        Aluminium  
 Color            Sandy Black  
**Code 22275**



**TRIMLESS** Track : 1m/2m/3m

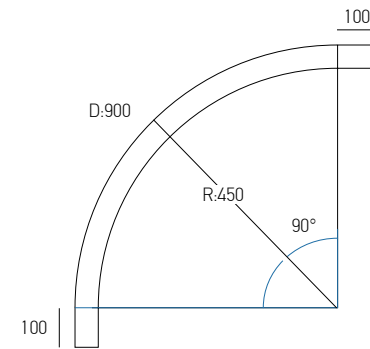
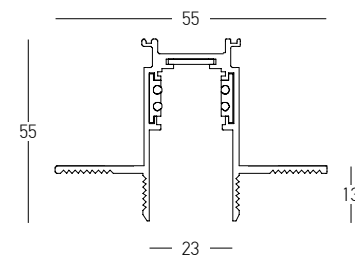


Track Code	Size	Color
22274B-1	1m	Sandy Black
22274B-2	2m	Sandy Black
22274B-3	3m	Sandy Black



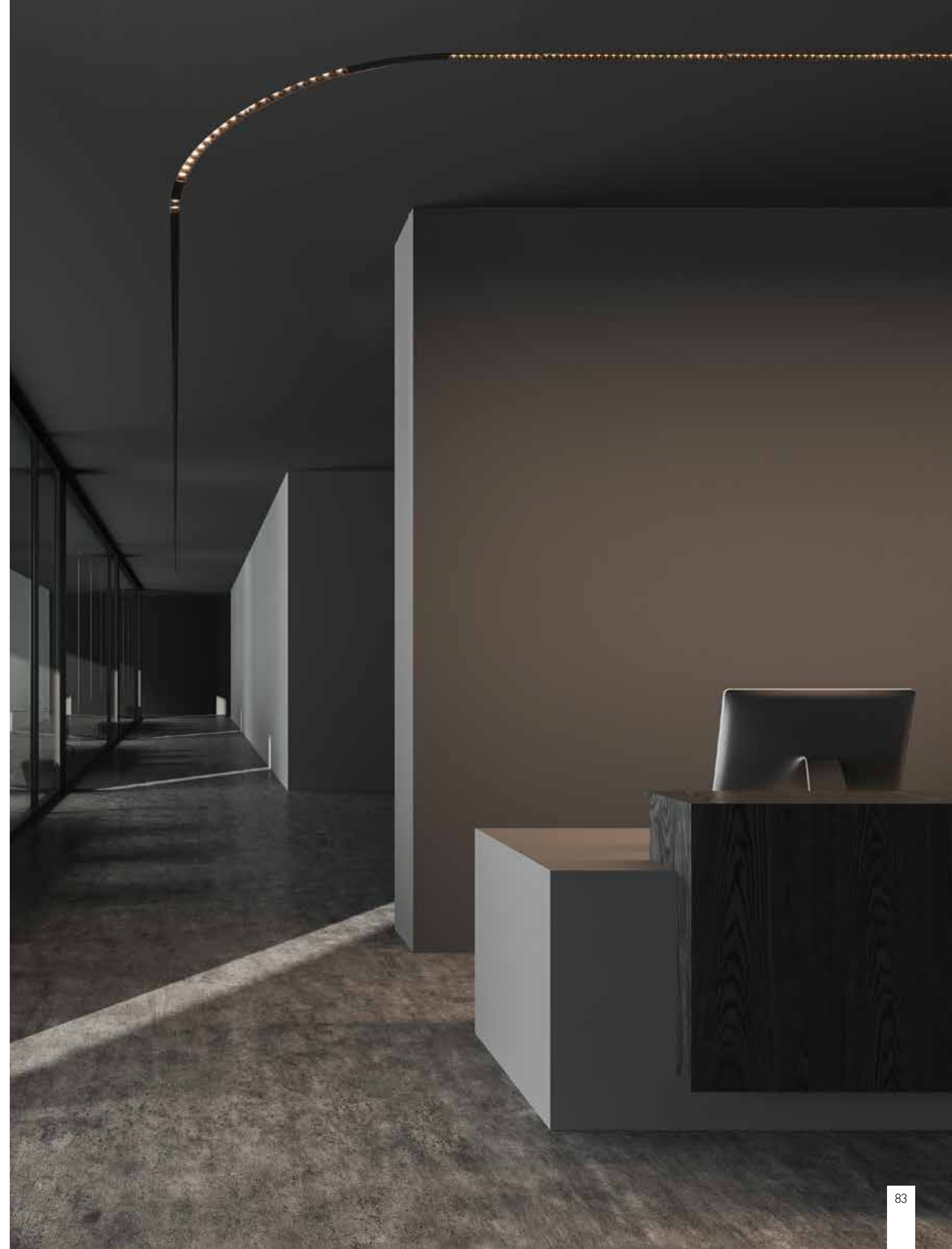
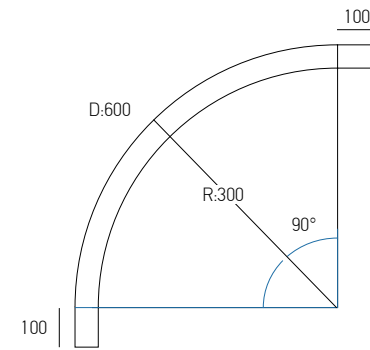
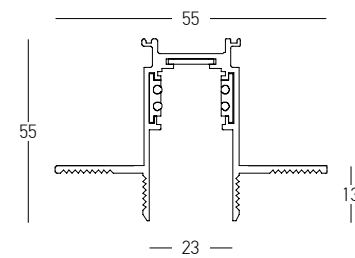
**TRIMLESS Curved Track**

Dimensions    Ø: 900mm  
 L: 906mm  
 Material        Aluminium  
 Color            Sandy Black  
**Code 22278**



**TRIMLESS Curved Track**

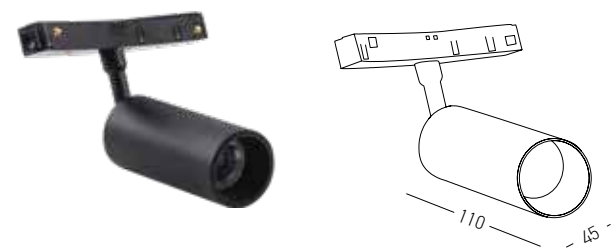
Dimensions    Ø: 600mm  
 L: 670mm  
 Material        Aluminium  
 Color            Sandy Black  
**Code 22276**



**Lights for D: 900mm Curved Tracks**



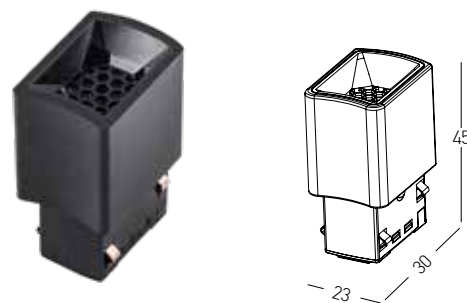
Power 8W  
 Input 48V  
 Color Temperature 3000K  
 Lumen 780Lm  
 Cri 80  
 Dimensions Curved: 900mm L: 195mm W: 23mm H: 45mm  
 Beam Angle 36°  
 DALI Dimmable   
 Material Aluminium - Acrylic  
 Color Sandy Black / **Code 22099**



Power 8W  
 Input 48V  
 Color Temperature 3000K  
 Lumen 780Lm  
 Cri 80  
 Dimensions Curved: 900mm Ø: 45mm L: 110mm  
 Beam Angle 36°  
 DALI Dimmable   
 Material Aluminium - Acrylic  
 Color Sandy Black / **Code 22101**



Power 8W  
 Input 48V  
 Color Temperature 3000K  
 Lumen 780Lm  
 Cri 80  
 Dimensions Curved: 900mm L: 195mm W: 23mm H: 45mm  
 Beam Angle 120°  
 DALI Dimmable   
 Material Aluminium - Acrylic  
 Color Sandy Black / **Code 22100**



**Lights for D: 600mm Curved Tracks**



Power 8W  
 Input 48V  
 Color Temperature 3000K  
 Lumen 780Lm  
 Cri 80  
 Dimensions Curved: 600mm L: 195mm W: 23mm H: 45mm  
 Beam Angle 36°  
 DALI Dimmable   
 Material Aluminium - Acrylic  
 Color Sandy Black / **Code 22092**



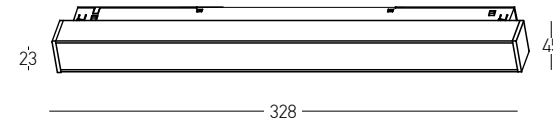
Power 8W  
 Input 48V  
 Color Temperature 3000K  
 Lumen 780Lm  
 Cri 80  
 Dimensions Curved: 600mm Ø: 45mm L: 110mm  
 Beam Angle 36°  
 DALI Dimmable   
 Material Aluminium - Acrylic  
 Color Sandy Black / **Code 22094**



Power 8W  
 Input 48V  
 Color Temperature 3000K  
 Lumen 780Lm  
 Cri 80  
 Dimensions Curved: 600mm L: 195mm W: 23mm H: 45mm  
 Beam Angle 120°  
 DALI Dimmable   
 Material Aluminium - Acrylic  
 Color Sandy Black / **Code 22093**

Power 2W  
 Input 48V  
 Color Temperature 3000K  
 Lumen 170Lm  
 Cri 80  
 Dimensions Curved: 900mm L: 30mm W: 23mm H: 45mm  
 Beam Angle 25°  
 Non Dimmable   
 Material Acrylic  
 Color Sandy Black / **Code 22107**



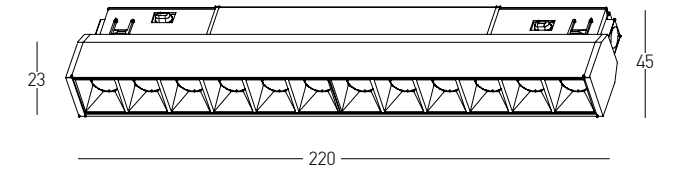


Power 12W  
 Input 48V  
 Color Temperature 3000K  
 Lumen 779Lm  
 Cri 80  
 Dimensions L: 328mm W: 23mm H: 45mm  
 Beam Angle 120°  
 DALI Dimmable ☐  
 Material Aluminium - PC Diffuser  
 Color Sandy Black / **Code 2087**

OSRAM

Power 12W  
 Input 48V  
 Color Temperature 3000K  
 Lumen 779Lm  
 Cri 80  
 Dimensions L: 328mm W: 23mm H: 45mm  
 Beam Angle 120°  
 Non Dimmable ☒  
 Material Aluminium - PC Diffuser  
 Color Sandy Black / **Code 2086**

OSRAM

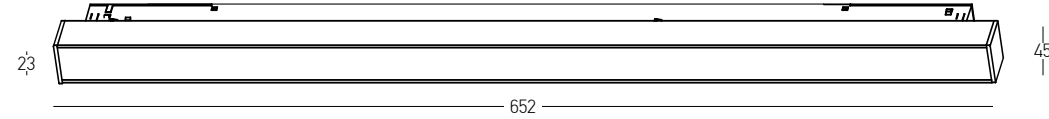


Power 8W  
 Input 48V  
 Color Temperature 2700K | 3000K | 4000K  
 Lumen 675Lm | 693Lm | 713Lm  
 Cri 80  
 Dimensions L: 220mm W: 23mm H: 45mm  
 Beam Angle 30°  
 DALI Dimmable ☉  
 Material Aluminium - Acrylic  
 Color 3000K Sandy Black / **Code 2091**  
 Color 4000K Sandy Black / **Code 2091-4B**  
 Color 2700K Sandy Black / **Code 2091-27B**

OSRAM

Power 8W  
 Input 48V  
 Color Temperature 3000K  
 Lumen 693Lm  
 Cri 80  
 Dimensions L: 220mm W: 23mm H: 45mm  
 Beam Angle 30°  
 Non Dimmable ☒  
 Material Aluminium - Acrylic  
 Color Sandy Black / **Code 2090**

OSRAM

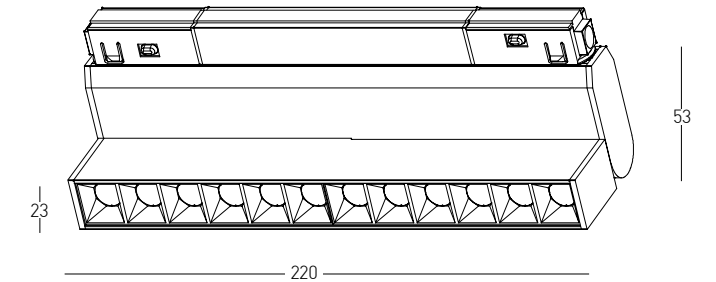


Power 20W  
 Input 48V  
 Color Temperature 2700K | 3000K | 4000K  
 Lumen 1650Lm | 1669Lm | 1897Lm  
 Cri 80  
 Dimensions L: 652mm W: 23mm H: 45mm  
 Beam Angle 120°  
 DALI Dimmable ☉  
 Material Aluminium - PC Diffuser  
 Color 3000K Sandy Black / **Code 2089**  
 Color 4000K Sandy Black / **Code 2089-4B**  
 Color 2700K Sandy Black / **Code 2089-27B**

OSRAM

Power 20W  
 Input 48V  
 Color Temperature 3000K  
 Lumen 1669Lm  
 Cri 80  
 Dimensions L: 652mm W: 23mm H: 45mm  
 Beam Angle 120°  
 Not Dimmable ☒  
 Material Aluminium - PC Diffuser  
 Color Sandy Black / **Code 2088**

OSRAM



Power 12W  
 Input 48V  
 Color Temperature 3000K  
 Lumen 1021Lm  
 Cri 80  
 Dimensions L: 220mm W: 23mm H: 53mm  
 Beam Angle 30°  
 DALI Dimmable ☉  
 Material Aluminium - Acrylic  
 Color Sandy Black / **Code 20291**

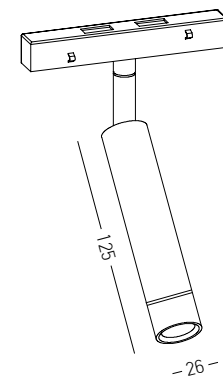
OSRAM

Power 12W  
 Input 48V  
 Color Temperature 3000K  
 Lumen 1021Lm  
 Cri 80  
 Dimensions L: 220mm W: 23mm H: 53mm  
 Beam Angle 30°  
 Non Dimmable ☒  
 Material Aluminium - Acrylic  
 Color Sandy Black / **Code 20290**

OSRAM



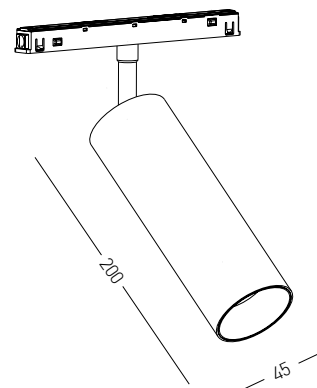
Power 5W  
 Input 48V  
 Color Temperature 3000K  
 Lumen 414Lm  
 Cri 80  
 Dimensions  $\varnothing$ : 26mm H: 125mm  
 Beam Angle 24°  
 DALI Dimmable   
 Material Aluminium  
 Color Sandy Black / **Code 2094**



Power 5W  
 Input 48V  
 Color Temperature 3000K  
 Lumen 414Lm  
 Cri 80  
 Dimensions  $\varnothing$ : 26mm H: 125mm  
 Beam Angle 24°  
 Non Dimmable   
 Material Aluminium  
 Color Sandy Black / **Code 2093**



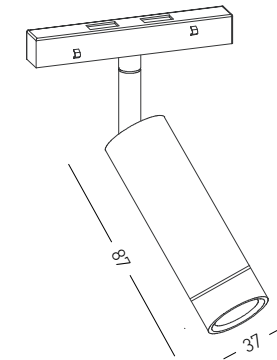
Power 15W  
 Input 48V  
 Color Temperature 3000K  
 Lumen 1225Lm  
 Cri 80  
 Dimensions  $\varnothing$ : 45mm H: 200mm  
 Beam Angle 24°  
 DALI Dimmable   
 Material Aluminium  
 Color Sandy Black / **Code 2095-D**



Power 15W  
 Input 48V  
 Color Temperature 3000K  
 Lumen 1225Lm  
 Cri 80  
 Dimensions  $\varnothing$ : 45mm H: 200mm  
 Beam Angle 24°  
 Non Dimmable   
 Material Aluminium  
 Color Sandy Black / **Code 2095**



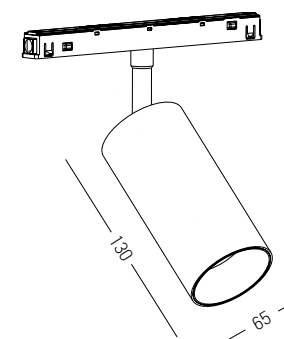
Power 7W  
 Input 48V  
 Color Temperature 2700K | 3000K  
 Lumen 565Lm | 580Lm  
 Cri 80  
 Dimensions  $\varnothing$ : 37mm H: 87mm  
 Beam Angle 32°  
 DALI Dimmable   
 Material Aluminium  
 Color 3000K Sandy Black / **Code 20400-BD**  
 Color 2700K Sandy Black / **Code 20407-BD**



Power 7W  
 Input 48V  
 Color Temperature 3000K | 4000K  
 Lumen 580Lm | 605Lm  
 Cri 80  
 Dimensions  $\varnothing$ : 37mm H: 87mm  
 Beam Angle 32°  
 Non Dimmable   
 Material Aluminium  
 Color 3000K Sandy Black / **Code 20402-B**  
 Color 4000K Sandy Black / **Code 20406**



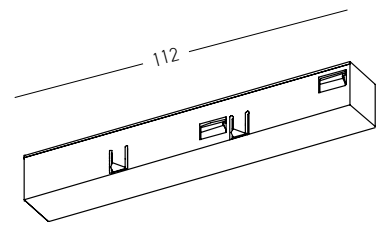
Power 15W  
 Input 48V  
 Color Temperature 3000K | 4000K  
 Lumen 1284Lm | 1312Lm  
 Cri 80  
 Dimensions  $\varnothing$ : 65mm H: 130mm  
 Beam Angle 24°  
 DALI Dimmable   
 Material Aluminium  
 Color 3000K Sandy Black / **Code 20413**  
 Color 4000K Sandy Black / **Code 20415**



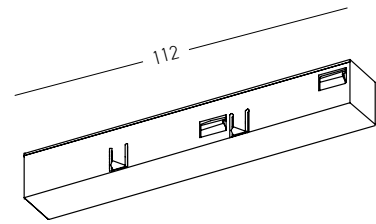
Power 15W  
 Input 48V  
 Color Temperature 3000K | 4000K  
 Lumen 1284Lm | 1312Lm  
 Cri 80  
 Dimensions  $\varnothing$ : 65mm H: 130mm  
 Beam Angle 24°  
 Non Dimmable   
 Material Aluminium  
 Color 3000K Sandy Black / **Code 20410**  
 Color 4000K Sandy Black / **Code 20411**



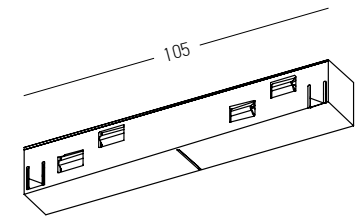
Accessories for All Tracks



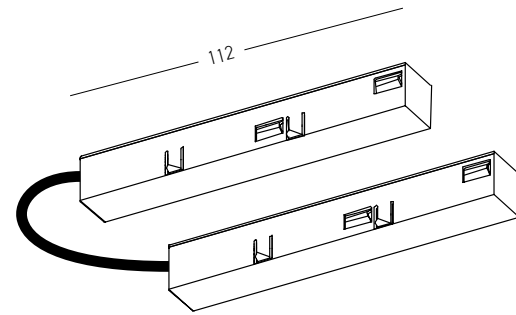
Feeder for 48V Magnetic Tracks  
Code 2096 / Color Black



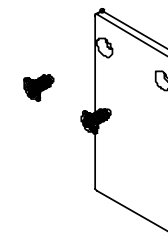
Feeder for 48V Magnetic Tracks  
200cm Cable Available  
Code 2096-2M / Color Black



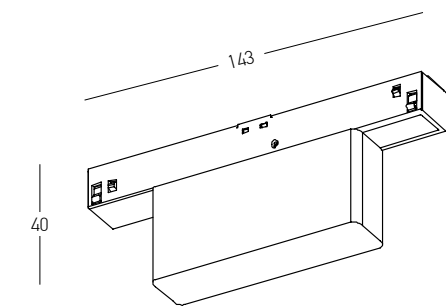
Inner Connector for 48V Magnetic Tracks  
Code 20103 / Color Black



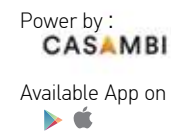
Flex Connector with Cable for 48V Magnetic Tracks  
Code 20105 / Color Black



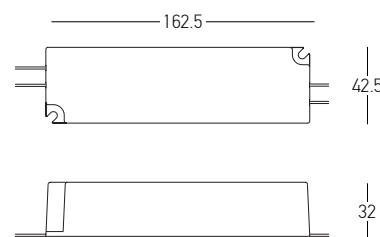
End Cap  
Material Metal  
Color Black / Code 22097-E



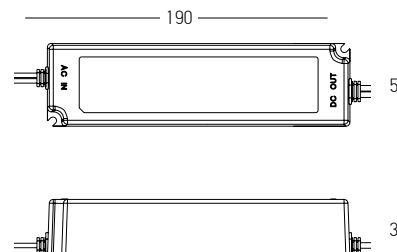
Wireless Control for 48V Magnetic Tracks  
Bluetooth DALI  
Code 20293



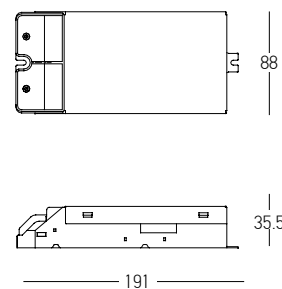
Remote Drivers



Remote Driver 60W  
48V  
5Years Guarantee  
ON-OFF / Code 20295  
DALI KIT / Code 20322  
PUSH BUTTON KIT / Code 20300  
BLUETOOTH KIT / Code 20303

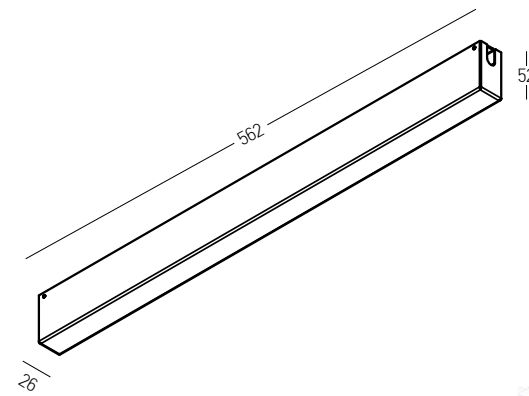


Remote Driver 100W  
48V  
5Years Guarantee  
ON-OFF / Code 20296  
DALI KIT / Code 20298  
PUSH BUTTON KIT / Code 20301  
BLUETOOTH KIT / Code 20304



Remote Driver 150W  
48V  
5Years Guarantee  
ON-OFF / Code 20297  
DALI KIT / Code 20299  
PUSH BUTTON KIT / Code 20302  
BLUETOOTH KIT / Code 20305

Driver Box for Ceiling Application

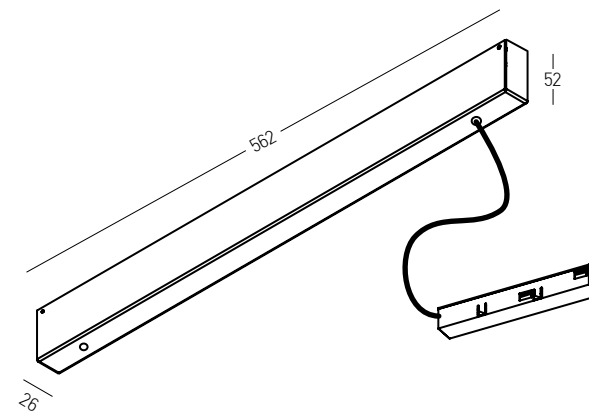


Surface Mount Base with Driver for Surface Magnetic Track  
Power 100W  
Input 220-240 , 50-60Hz  
Output 48V  
Special Feature Included 48V Feeder  
Color Sandy Black  
Guarantee 5Years  
ON-OFF / Code 20306-B  
DALI KIT / Code 20308-B  
PUSH BUTTON KIT / Code 20310-B  
BLUETOOTH KIT / Code 20312-B



Surface Mount Base with Driver for Surface Magnetic Track  
Power 200W  
Input 220-240 , 50-60Hz  
Output 48V  
Special Feature Included 48V Feeder  
Color Sandy Black  
Guarantee 5Years  
ON-OFF / Code 20307-B  
DALI KIT / Code 20309-B  
PUSH BUTTON KIT / Code 20311-B  
BLUETOOTH KIT / Code 20313-B

Driver Box for Pendant Application



Pendant Base with Driver for Surface Magnetic Track  
Power 100W  
Input 220-240 , 50-60Hz  
Output 48V  
Special Feature 200cm Cable Available - 48V Feeder  
Color Sandy Black  
Guarantee 5Years  
ON-OFF / Code 20314-B  
DALI KIT / Code 20316-B  
PUSH BUTTON KIT / Code 20318-B  
BLUETOOTH KIT / Code 20320-B



Suspension Kit (2pcs) / Adjustable Wire 2m  
Material Metal  
Code 22121

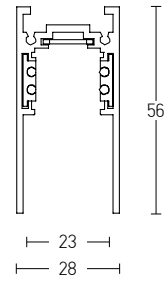


Curved Mechanic Connector  
Material Metal  
Color Black / Code 22097-C

48V CIRCLES - CURVED MAGNETIC SYSTEM | p.092-105



**SURFACE | PENDANT** Track : 1m / 2m / 3m

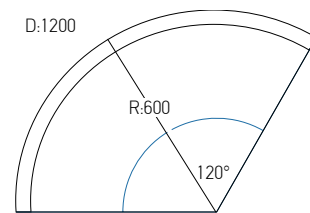
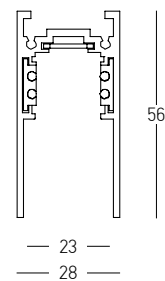


Track Code	Size	Color
22273B-1	1m	Sandy Black
22273B-2	2m	Sandy Black
22273B-3	3m	Sandy Black



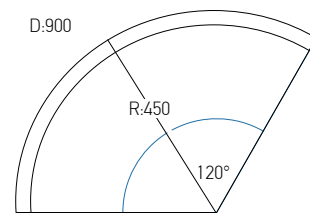
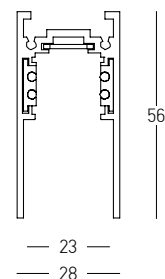
**SURFACE | PENDANT Curved Track**

Dimensions    Ø: 1200mm  
 L: 1252.5mm  
 Material        Aluminium  
 Color            Sandy Black  
 Code            22102



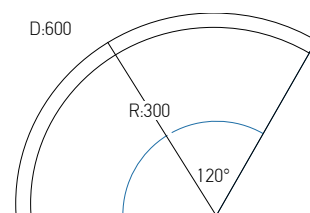
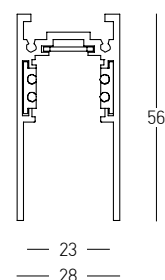
**SURFACE | PENDANT Curved Track**

Dimensions    Ø: 900mm  
 L: 942.5mm  
 Material        Aluminium  
 Color            Sandy Black  
 Code            22097

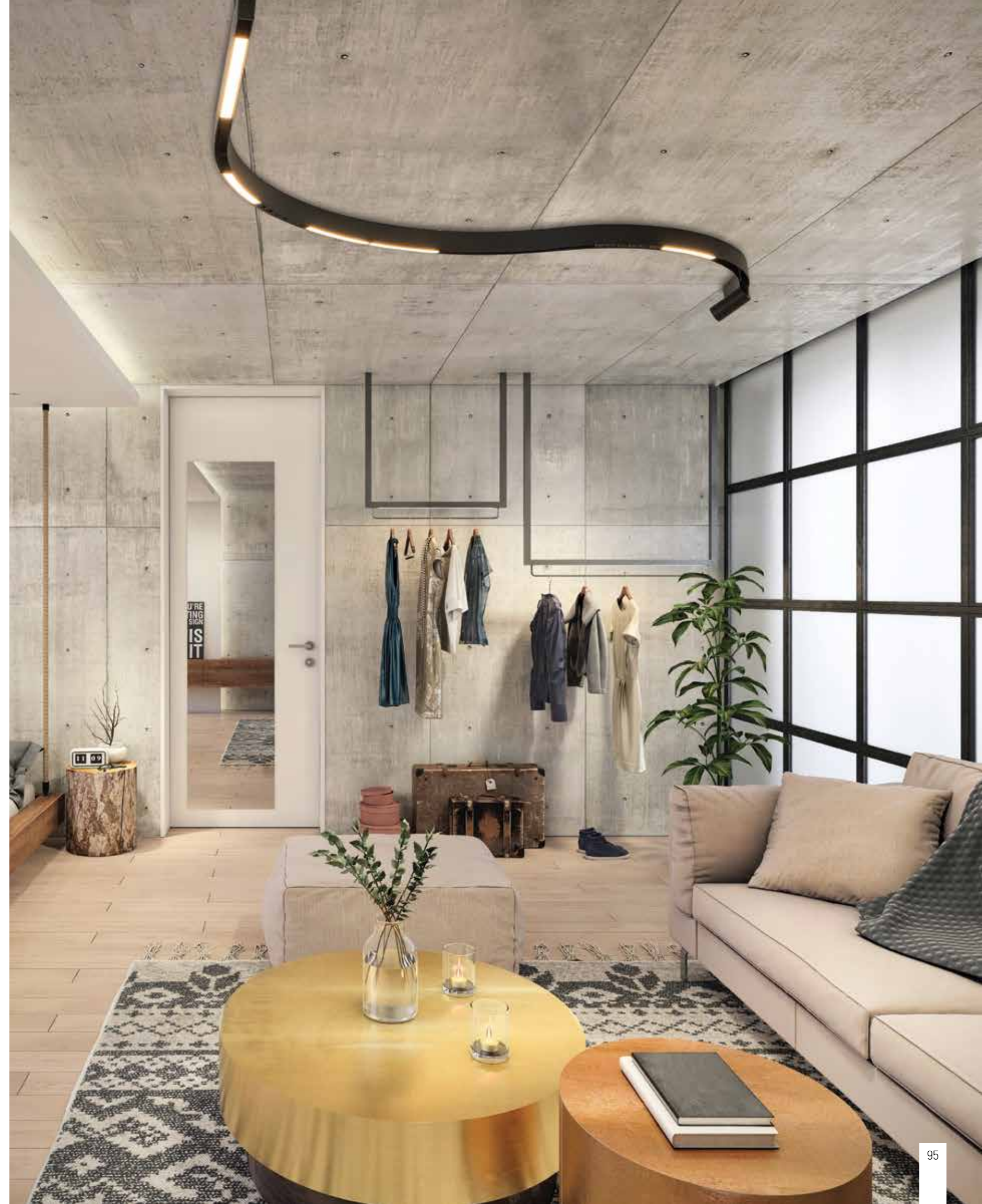


**SURFACE | PENDANT Curved Track**

Dimensions    Ø: 600mm  
 L: 628mm  
 Material        Aluminium  
 Color            Sandy Black  
 Code            22090

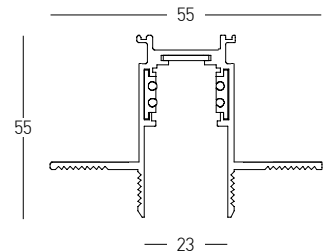


\*Dimensions Indicated In Millimeters





**TRIMLESS** Track : 1m/2m/3m

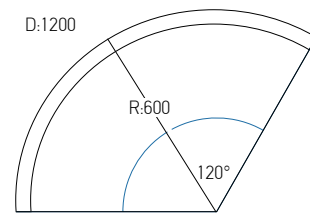
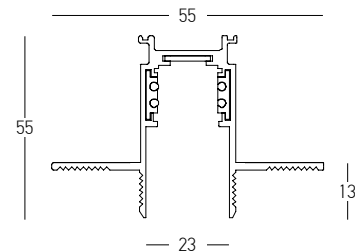


Track Code	Size	Color
22274B-1	1m	Sandy Black
22274B-2	2m	Sandy Black
22274B-3	3m	Sandy Black



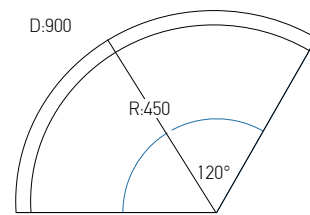
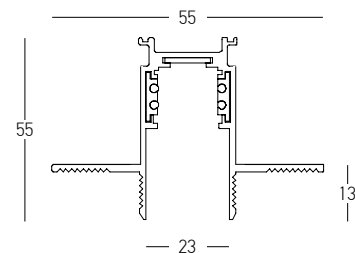
**TRIMLESS Curved Track**

Dimensions    Ø: 1200mm  
 L: 1252.5mm  
 Material        Aluminium  
 Color            Sandy Black  
 Code            22103



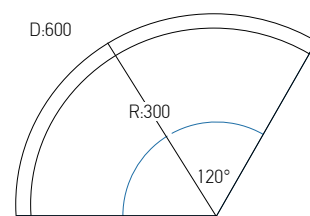
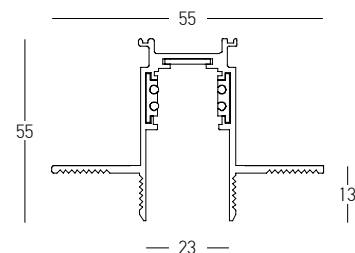
**TRIMLESS Curved Track**

Dimensions    Ø: 900mm  
 L: 942.5mm  
 Material        Aluminium  
 Color            Sandy Black  
 Code            22098

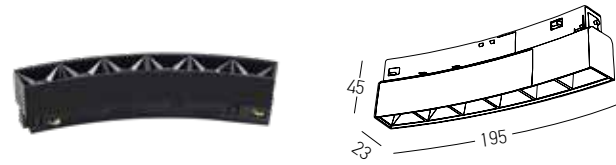


**TRIMLESS Curved Track**

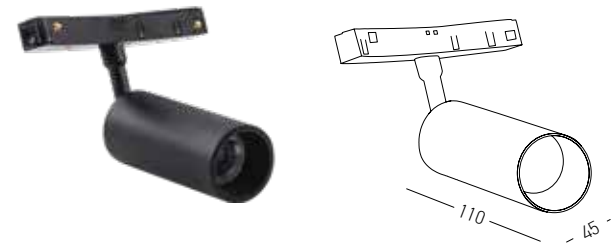
Dimensions    Ø: 600mm  
 L: 628mm  
 Material        Aluminium  
 Color            Sandy Black  
 Code            22091



Lights for **D: 900mm** Curved Tracks - Circle



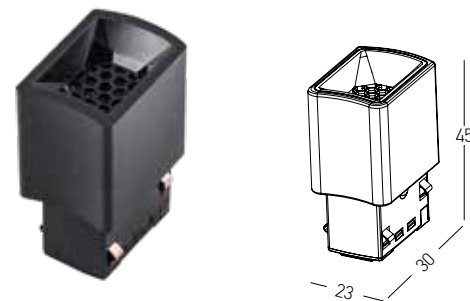
Power 8W  
 Input 48V  
 Color Temperature 3000K  
 Lumen 780Lm  
 Cri 80  
 Dimensions Curved: 900mm L: 195mm W: 23mm H: 45mm  
 Beam Angle 36°  
 DALI Dimmable   
 Material Aluminium - Acrylic  
 Color Sandy Black / **Code 22099**



Power 8W  
 Input 48V  
 Color Temperature 3000K  
 Lumen 780Lm  
 Cri 80  
 Dimensions Curved: 900mm Ø: 45mm L: 110mm  
 Beam Angle 36°  
 DALI Dimmable   
 Material Aluminium - Acrylic  
 Color Sandy Black / **Code 22101**



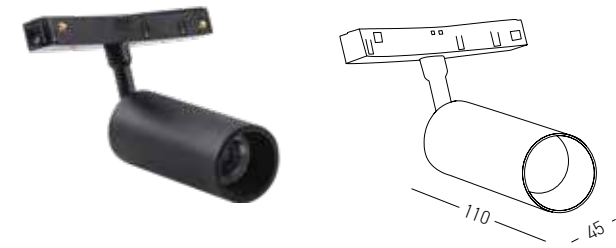
Power 8W  
 Input 48V  
 Color Temperature 3000K  
 Lumen 780Lm  
 Cri 80  
 Dimensions Curved: 900mm L: 195mm W: 23mm H: 45mm  
 Beam Angle 120°  
 DALI Dimmable   
 Material Aluminium - Acrylic  
 Color Sandy Black / **Code 22100**



Lights for **D: 600mm** Curved Tracks - Circle



Power 8W  
 Input 48V  
 Color Temperature 3000K  
 Lumen 780Lm  
 Cri 80  
 Dimensions Curved: 600mm L: 195mm W: 23mm H: 45mm  
 Beam Angle 36°  
 DALI Dimmable   
 Material Aluminium - Acrylic  
 Color Sandy Black / **Code 22092**



Power 8W  
 Input 48V  
 Color Temperature 3000K  
 Lumen 780Lm  
 Cri 80  
 Dimensions Curved: 600mm Ø: 45mm L: 110mm  
 Beam Angle 36°  
 DALI Dimmable   
 Material Aluminium - Acrylic  
 Color Sandy Black / **Code 22094**



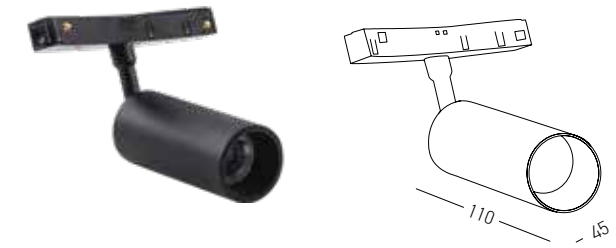
Power 8W  
 Input 48V  
 Color Temperature 3000K  
 Lumen 780Lm  
 Cri 80  
 Dimensions Curved: 600mm L: 195mm W: 23mm H: 45mm  
 Beam Angle 120°  
 DALI Dimmable   
 Material Aluminium - Acrylic  
 Color Sandy Black / **Code 22093**

Power 2W  
 Input 48V  
 Color Temperature 3000K  
 Lumen 170Lm  
 Cri 80  
 Dimensions Curved: 900mm L: 30mm W: 23mm H: 45mm  
 Beam Angle 25°  
 Non Dimmable   
 Material Acrylic  
 Color Sandy Black / **Code 22107**

Lights for **D: 1200mm** Curved Tracks Circle



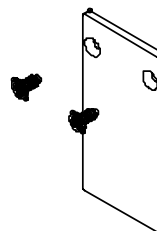
Power 8W  
 Input 48V  
 Color Temperature 3000K  
 Lumen 780Lm  
 Cri 80  
 Dimensions Curved: 1200mm L: 195mm W: 23mm H: 45mm  
 Beam Angle 36°  
 DALI Dimmable   
 Material Aluminium - Acrylic  
 Color Sandy Black / **Code 22104**



Power 8W  
 Input 48V  
 Color Temperature 3000K  
 Lumen 780Lm  
 Cri 80  
 Dimensions Curved: 1200mm Ø: 45mm L: 110mm  
 Beam Angle 36°  
 DALI Dimmable   
 Material Aluminium - Acrylic  
 Color Sandy Black / **Code 22106**



Power 8W  
 Input 48V  
 Color Temperature 3000K  
 Lumen 780Lm  
 Cri 80  
 Dimensions Curved: 1200mm L: 195mm W: 23mm H: 45mm  
 Beam Angle 120°  
 DALI Dimmable   
 Material Aluminium - Acrylic  
 Color Sandy Black / **Code 22105**



End Cap  
 Material Metal  
 Color Black / **Code 22097-E**

Accessories for Curved Tracks



Flex Connector for 48V Curved Magnetic Tracks  
**Code 22096 / Color Black**



Feeder for 48V Curved Magnetic Tracks  
 30cm Cable Available  
 Surface | Trimless Application  
**Code 22095 / Color Black**



Feeder for 48V Curved Magnetic Tracks  
 200cm Cable Available  
 Pendant Application  
**Code 22120 / Color Black**

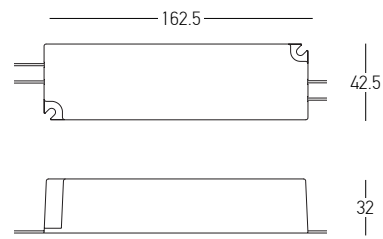


Curved Mechanic Connector  
 Material Metal  
 Color Black / **Code 22097-C**

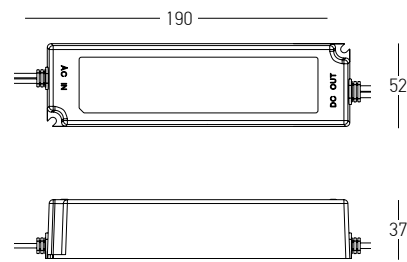


Suspension Kit (2pcs) / Adjustable Wire 2m  
 Material Metal  
**Code 22121**

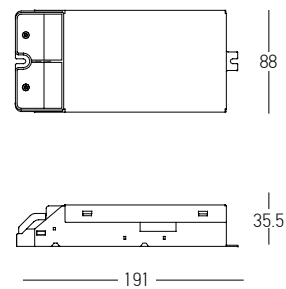
Remote Drivers for Curved Tracks - Circle



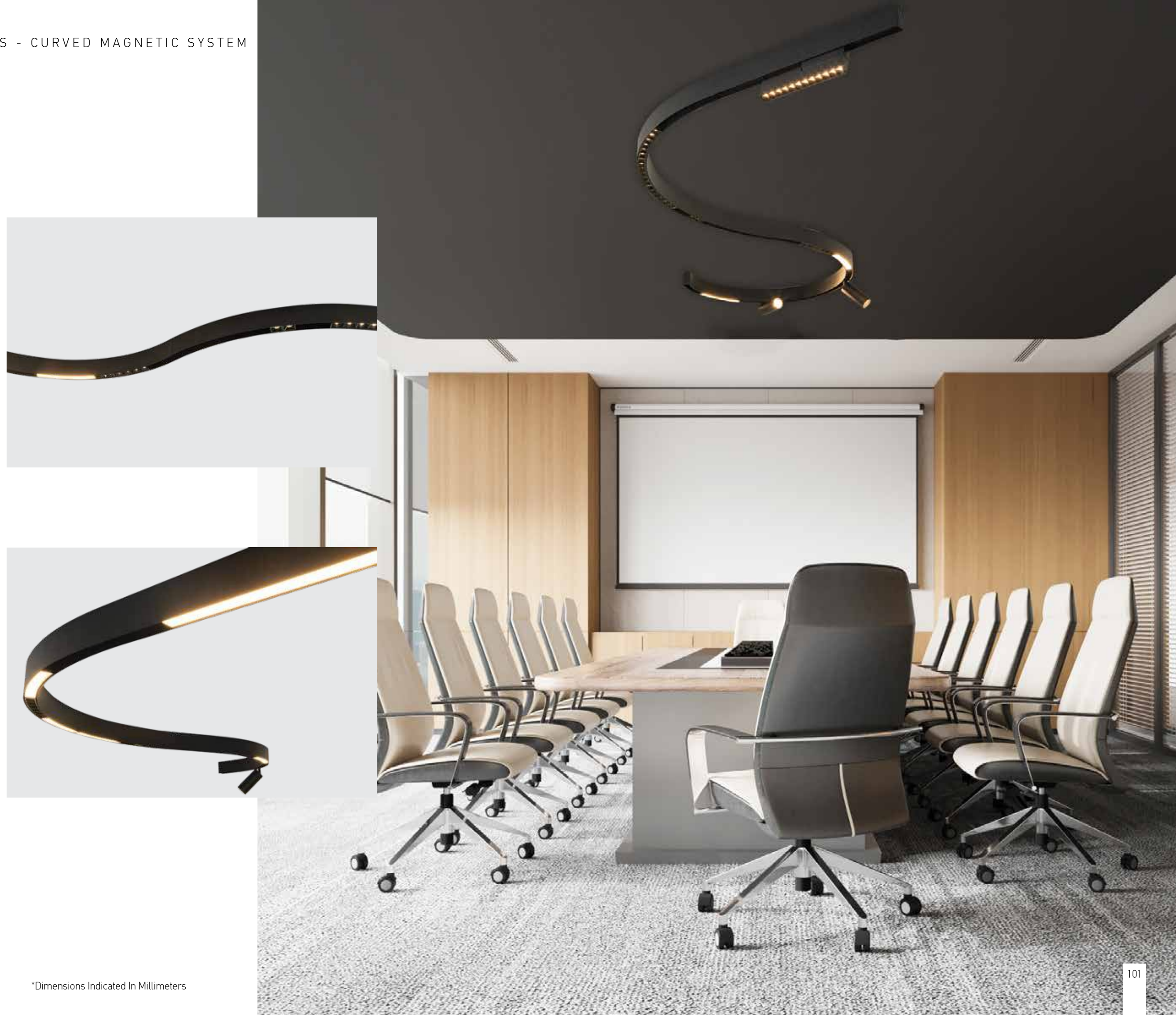
**Remote Driver 60W**  
 48V  
 5Years Guarantee  
 ON-OFF / Code 20295  
 DALI KIT / Code 20322  
 PUSH BUTTON KIT / Code 20300  
 BLUETOOTH KIT / Code 20303



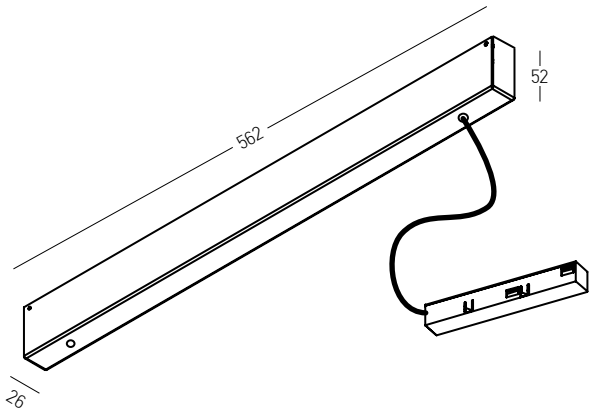
**Remote Driver 100W**  
 48V  
 5Years Guarantee  
 ON-OFF / Code 20296  
 DALI KIT / Code 20298  
 PUSH BUTTON KIT / Code 20301  
 BLUETOOTH KIT / Code 20304



**Remote Driver 150W**  
 48V  
 5Years Guarantee  
 ON-OFF / Code 20297  
 DALI KIT / Code 20299  
 PUSH BUTTON KIT / Code 20302  
 BLUETOOTH KIT / Code 20305

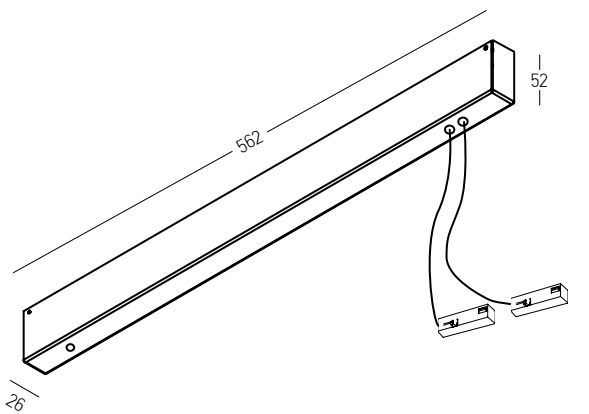


Ceiling Driver Box for Pendant Curved Tracks - Circles



**Pendant Base with Driver for Surface Magnetic Track**  
 Power 100W  
 Input 220-240 , 50-60Hz  
 Output 48V  
 Special Feature 200cm Cable Available - 48V Feeder  
 Color Sandy Black  
 Guarantee 5Years  
 ON-OFF / Code 22284  
 BLUETOOTH KIT / Code 22282

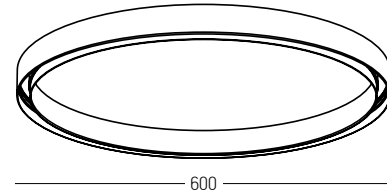
**Pendant Base with Driver for Surface Magnetic Track**  
 Power 200W  
 Input 220-240 , 50-60Hz  
 Output 48V  
 Special Feature 200cm Cable Available - 48V Feeder  
 Color Sandy Black  
 Guarantee 5Years  
 ON-OFF / Code 22286  
 BLUETOOTH KIT / Code 22280



**Pendant Base with Driver for Surface Magnetic Track**  
 Power 100W  
 Input 220-240 , 50-60Hz  
 Output 48V  
 Special Feature 200cm Cable Available - 48V Feeder  
 Color Sandy Black  
 Guarantee 5Years  
 DALI KIT / Code 22285  
 PUSH BUTTON KIT / Code 22281

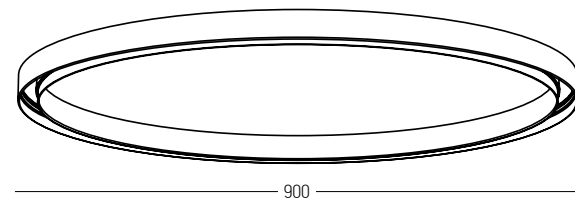
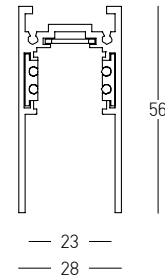
**Pendant Base with Driver for Surface Magnetic Track**  
 Power 200W  
 Input 220-240 , 50-60Hz  
 Output 48V  
 Special Feature 200cm Cable Available - 48V Feeder  
 Color Sandy Black  
 Guarantee 5Years  
 DALI KIT / Code 22287  
 PUSH BUTTON KIT / Code 22279





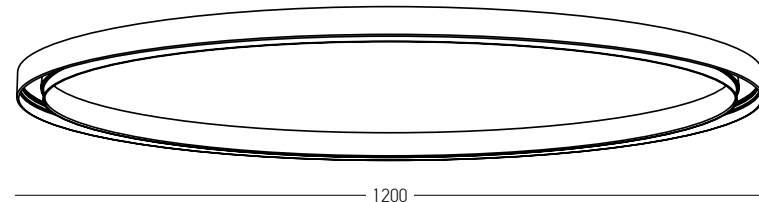
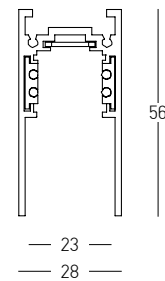
**Magnetic Surface | Pendant Circle**

Dimensions    Ø: 600mm  
 Material        Aluminium  
 Color            Sandy Black / **Code 22270**



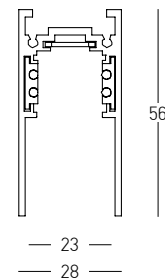
**Magnetic Surface | Pendant Circle**

Dimensions    Ø: 900mm  
 Material        Aluminium  
 Color            Sandy Black / **Code 22271**



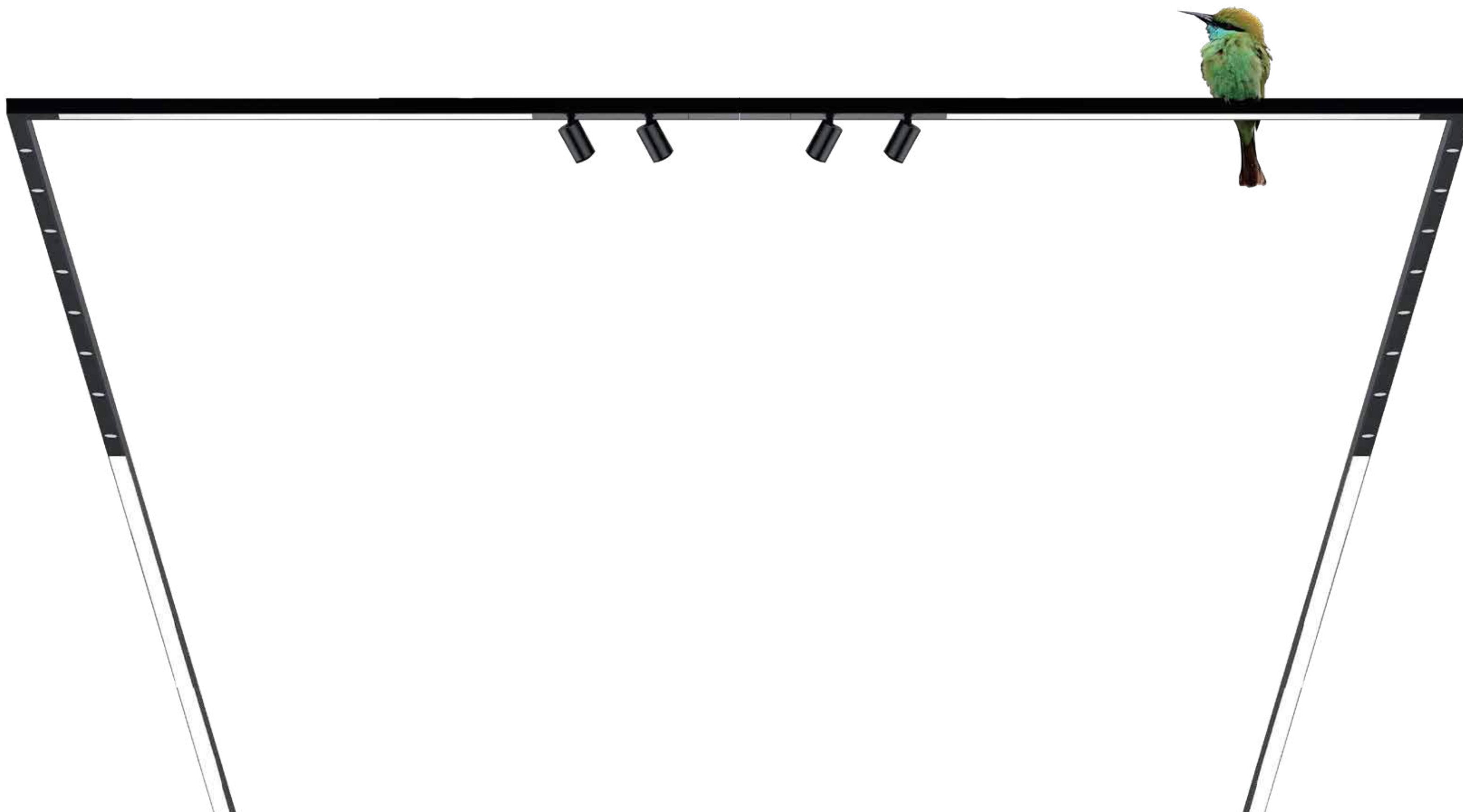
**Magnetic Surface | Pendant Circle**

Dimensions    Ø: 1200mm  
 Material        Aluminium  
 Color            Sandy Black / **Code 22272**



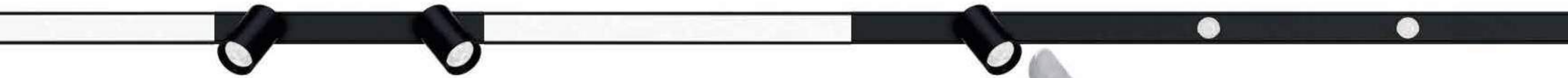
Suspension Kit (3pcs) for Magnetic Circles  
 Adjustable Wire 2m  
 Material Metal  
**Code 22283**





Smaller, Lighter and Slimmer...

Attractive Color Presentation...



### CRI>90, High Quality Light Output

Because ambient light produces Colors differently, the Color rendering index (CRI) is used as reference. The CRI indicates the ratio by which the illuminated object or the illuminated area deviates from the maximum value of 100 (daylight). MINI TRACK has an impressively high CRI of 90, which means that it comes very close to natural light and is suitable for Color-sensitive applications such as display cases and special exhibition spaces. The material quality, feel, and Color authenticity of merchandise and artworks need to be rendered as accurately as possible to accentuate object's value. The especially small light surface of the LEDs and high light density allow the luminaires to perfectly reflect the three-dimensionality of amorphous surfaces. Products with a CRI of 90 are perfect for high-end sales floors and art settings.

### R9>90, Closer to True Colors

R9 is the index to present the color of Red. Red is a very important icon to many objects like photography, textiles, bones and skins. For human eyes, the red is a key reference to distinguish the real true colors. A higher R9 index can better present the true colors. MINI TRACK, with R9 higher than 90, can better present the world closer to true colors.



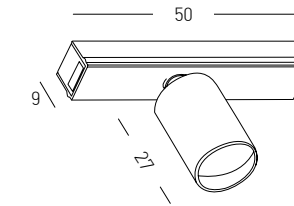
Mini Linear Light

Mini Fix Spots

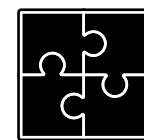
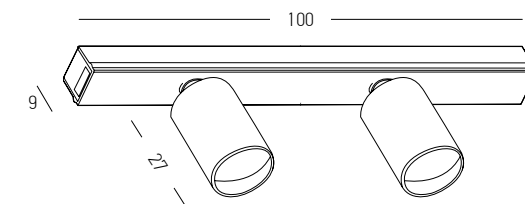
Mini Adjustable Eyes



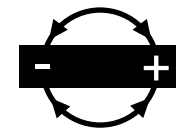
Power 1.5W  
 Input 24V  
 Color Temperature 3000K  
 Lumen 80Lm  
 Cri 97  
 Dimensions L: 50mm W: 11mm H: 36mm  
 Spot Ø: 15mm H: 27mm  
 Beam Angle 20°  
 DALI Dimmable   
 Material Aluminium - Acrylic  
 Special Feature Movable Spot  
 Color Black Matt / **Code 22251**



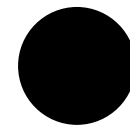
Power 2.6W  
 Input 24V  
 Color Temperature 3000K  
 Lumen 160Lm  
 Cri 97  
 Dimensions L: 100mm W: 11mm H: 36mm  
 Spots Ø: 15mm H: 27mm  
 Beam Angle 20°  
 DALI Dimmable   
 Material Aluminium - Acrylic  
 Special Feature Movable Spots  
 Color Black Matt / **Code 22252**



Free combination



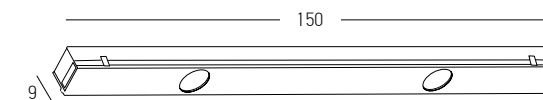
Polarized free



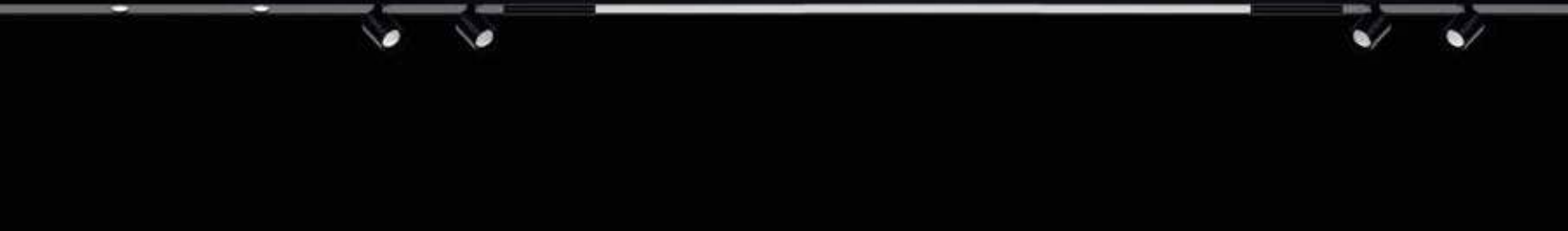
Color: black



Power 2.5W  
 Input 24V  
 Color Temperature 3000K  
 Lumen 150Lm  
 Cri 97  
 Dimensions L: 150mm W: 11mm H: 9mm  
 Beam Angle 30°  
 DALI Dimmable   
 Material Aluminium - Acrylic  
 Color Black Matt / **Code 22253**







Power 2.4W  
 Input 24V  
 Color Temperature 3000K  
 Lumen 210Lm  
 Cri 93  
 Dimensions L: 150mm W: 11mm H: 9mm  
 Beam Angle 125°  
 DALI Dimmable ☉  
 Material Aluminium - Acrilyc  
 Color Opal White / **Code 22254**



Power 4.8W  
 Input 24V  
 Color Temperature 3000K  
 Lumen 420Lm  
 Cri 93  
 Dimensions L: 300mm W: 11mm H: 9mm  
 Beam Angle 125°  
 DALI Dimmable ☉  
 Material Aluminium - Acrilyc  
 Color Opal White / **Code 22255**



Power 9.6W  
 Input 24V  
 Color Temperature 3000K  
 Lumen 830Lm  
 Cri 93  
 Dimensions L: 600mm W: 11mm H: 9mm  
 Beam Angle 125°  
 DALI Dimmable ☉  
 Material Aluminium - Acrilyc  
 Color Opal White / **Code 22256**

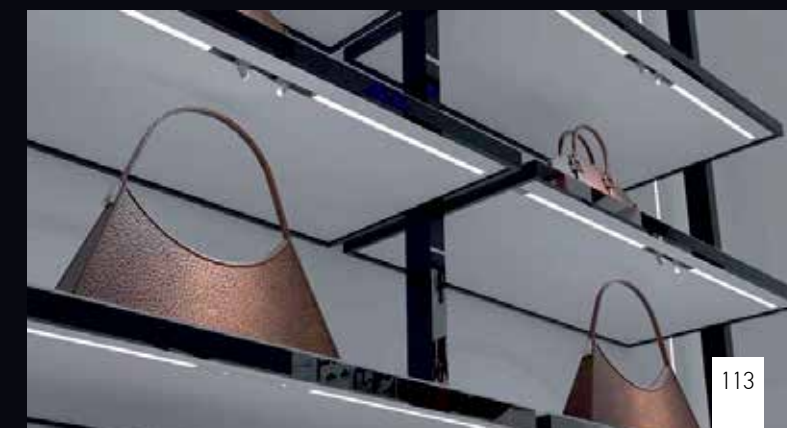


## One shop, One light...

There are many lighting types in retail lighting design, such as general lighting, accent lighting, and task lighting, is it possible to use one light fixture to solve all the lighting requirements?

Yes, it is MINI SURFACE MAGNETIC SYSTEM.

The light designer could use it in various possibilities.



Mini Track (Free-Cut Length)



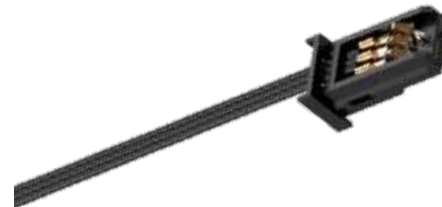
Dimensions L: 2200mm W: 12.5mm H: 10.5mm  
Material Aluminium  
Color Black Matt / **Code 22262**

Mini Track (Free-Cut Length)



Dimensions L: 1100mm W: 12.5mm H: 10.5mm  
Material Aluminium  
Color Black Matt / **Code 22261**

Power Feeder 24V



Dimensions L: 2500mm Cable  
Material Aluminium-Plastic Cable  
Color Black Matt / **Code 22260**

Inner Connector



Dimensions L: 46mm W: 11mm H: 9mm  
Material Plastic  
Color Black Matt / **Code 22260-I**

Showcase Corner Connector



Dimensions L: 35mm W: 26mm H: 9mm  
Material Plastic  
Special Feature Rotatable  
Color Black Matt / **Code 22258**

Corner Connector



Dimensions L: 25mm W: 25mm H: 9mm  
Material Plastic  
Color Black Matt / **Code 22257**

Blind Cover



Dimensions L: 100mm W: 11mm H: 9mm  
Material Aluminium  
Color Black Matt / **Code 22259**

End Caps



Dimensions L: 5mm W: 12.5mm H: 10.5mm  
Material Plastic  
Color Black Matt / **Code 22260-E**

Showcase Holder



Dimensions Ø: 22mm H: 40mm  
Material Plastic  
Cutting Hole Ø: 18mm  
Surface Thickness 8 - 30mm  
Color Black Matt / **Code 22263**

Magnetic Surface Clip



Dimensions L: 25mm W: 12.5mm H: 12mm  
Material Stainless Steel  
Color Stainless Steel / **Code 22264**

Surface Clip with Screw



Dimensions L: 25mm W: 12.5mm H: 12mm  
Material Stainless Steel  
Color Stainless Steel / **Code 22265**

Dimming Options

1. DALI Dimming : Dali Driver 24V + Switch DALI MCU . Suitable with Drivers to Page : 275

24V PLUG & PLAY | p.116-121





Power 3W  
 Input 24V  
 Color Temperature 3000K  
 Lumen 285Lm  
 Cri 80  
 Dimensions Ø: 10cm H: 7.6cm  
 Dimmable Triac   
 Material Aluminium - PC Diffuser  
 Special Feature Plug & Play With Jack System  
 Color Sandy Black / **Code 19152**  
 Color Sandy White / **Code 19151**



Power 20W  
 Input 24V  
 Color Temperature 3000K  
 Lumen 1600Lm  
 Cri 80  
 Dimensions Ø: 22.3cm H: 3.8cm  
 Non Dimmable   
 Material Aluminium - Diffuser  
 Special Feature Plug & Play With Jack System  
 Color Sandy Black / **Code 19172**  
 Color Sandy White / **Code 19171**



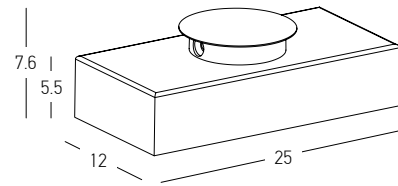
Power 7W  
 Input 24V  
 Color Temperature 3000K  
 Lumen 560Lm  
 Cri 80  
 Dimensions Ø: 11 cm H: 3.8cm  
 Non Dimmable   
 Material Aluminium - Diffuser  
 Special Feature Plug & Play With Jack System  
 Color Sandy Black / **Code 19170**  
 Color Sandy White / **Code 19169**



Power		4W	10W	18W	24W	30W
Input	24V					
Color Temperature	3000K					
Lumen		280Lm	700Lm	1260Lm	1680Lm	2100Lm
Cri	80					
Dimensions	Ø: 1.5cm	27cm	57cm	97cm	127cm	157cm
Dimmable Triac	<input type="radio"/>					
Material	Aluminium - Diffuser					
Special Feature	Plug & Play With Jack System					
Color	Sandy Black / <b>Code 19158</b>	<b>19158</b>	<b>19160</b>	<b>19162</b>	<b>19164</b>	<b>19166</b>
Color	Sandy White / <b>Code 19157</b>	<b>19157</b>	<b>19159</b>	<b>19161</b>	<b>19163</b>	<b>19165</b>

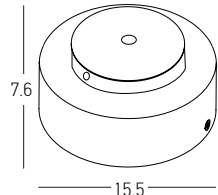
DESIGN YOUR OWN LIGHTING...





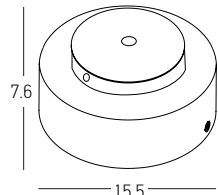
**Ceiling / Wall Base for 24V Light System**

Power 200W  
 Input 220-240V, 50/60Hz  
 Output 24V  
 Dimensions L: 25cm W: 12cm H: 7.6cm  
 Non Dimmable ☒  
 Material Aluminium  
 Driver Included  
 Special Feature Plug & Play With Jack System  
 Color Sandy Black / **Code 20139**



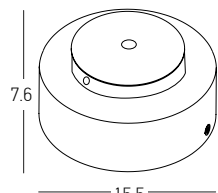
**Ceiling / Wall Base for 24V Light System**

Power 150W  
 Input 220-240V, 50/60Hz  
 Output 24V  
 Dimensions Ø: 15.5cm H: 7.6cm  
 Non Dimmable ☒  
 Material Aluminium  
 Driver Included  
 Special Feature Plug & Play With Jack System  
 Color Sandy Black / **Code 20140**



**Ceiling / Wall Base for 24V Light System**

Power 100W  
 Input 220-240V, 50/60Hz  
 Output 24V  
 Dimensions Ø: 15.5cm H: 7.6cm  
 Non Dimmable ☒  
 Material Aluminium  
 Driver Included  
 Special Feature Plug & Play With Jack System  
 Color Sandy Black / **Code 19154**  
 Color Sandy White / **Code 19153**



**Ceiling / Wall Base for 24V Light System**

Power 100W  
 Input 220-240V, 50/60Hz  
 Output 24V  
 Dimensions Ø: 15.5cm H: 7.6cm  
 Dimmable Triac ☉  
 Material Aluminium  
 Driver Included  
 Special Feature Plug & Play With Jack System  
 Remote Control Included  
 Color Sandy Black / **Code 19156**  
 Color Sandy White / **Code 19155**



Power 5W  
 Input 24V  
 Color Temperature 3000K  
 Lumen 475Lm  
 Cri 80  
 Dimensions Ø: 6cm H: 10cm  
 Dimmable Triac ☉  
 Material Aluminium - PC Diffuser  
 Special Feature Plug & Play With Jack System  
 180cm Cable Adjustable  
 Color Sandy Black / **Code 19168**  
 Color Sandy White / **Code 19167**



LINEAR & CIRCLES | p.122-143

## Customize Architectural Lighting

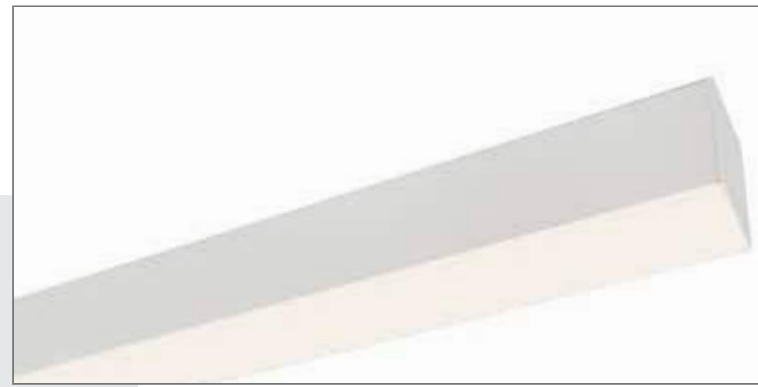
**Different Dimming:** On-Off, Dali, Bluetooth

**Different CCT:** 2200K - 6500K

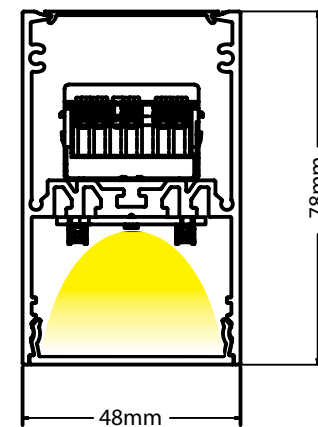
**Different Colors**

**Different Levels of Lumen Output**

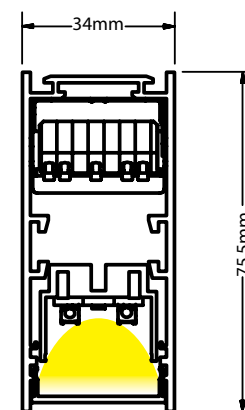
**Different Dimension Upon Request**



**48mm LED** profile luminaire, made of an extruded aluminium, power-coated with fine sandy finish. Designed for ceiling/pendant/trimless/recessed, providing direct light emission through a diffuser made either of satined polycarbonate for an almost homogeneous emission of light. Luminaire equipped with the latest generation of well known LED boards with small color tolerance.



**34mm LED** profile luminaire, made of an extruded aluminium, power-coated with fine sandy finish. Designed for ceiling/pendant/trimless/recessed mounting, providing direct light emission through PMMA diffuser. Luminaire equipped with the latest generation of well known LED boards with small color tolerance.



In the following Electrical Table, you may find Watt and Lumen Output,

High Efficiency (HE) 200Lm/W - 3357Lm/m, High Output (HO) 188Lm/W - 5640Lm/m accordingly to the length of our LED profile

Set HO		Lumen		Set HE		Lumen	
Length (cm)	Watt	3000K	4000K	Length (cm)	Watt	3000K	4000K
58	18	2565	2700	58	10	1577	1660
86	27	3848	4050	86	15	2366	2490
114	36	5130	5400	114	20	3154	3320
142	45	6413	6750	142	25	3943	4150
170	54	7695	8100	170	30	4731	4980
198	63	8978	9450	198	35	5520	5810
226	72	10260	10800	226	40	6308	6640
254	81	11543	12150	254	45	7097	7470
282	90	12825	13500	282	50	7885	8300
310	99	14108	14850	310	55	8674	9130
338	108	15390	16200	338	60	9462	9960

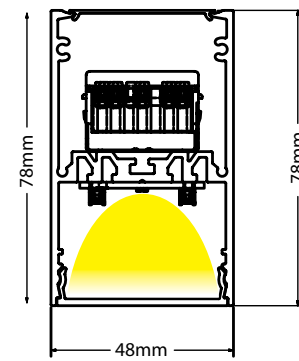
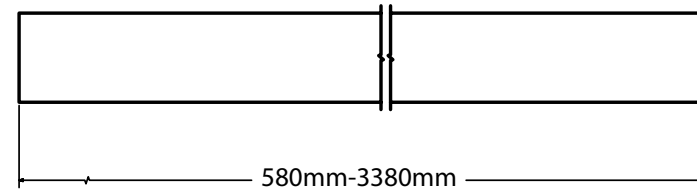


CUSTOM MADE PRODUCTS...





Ceiling Profile



Ceiling Your Code : **51**

Length	Driver	Kelvin	Set	Body Color
--------	--------	--------	-----	------------

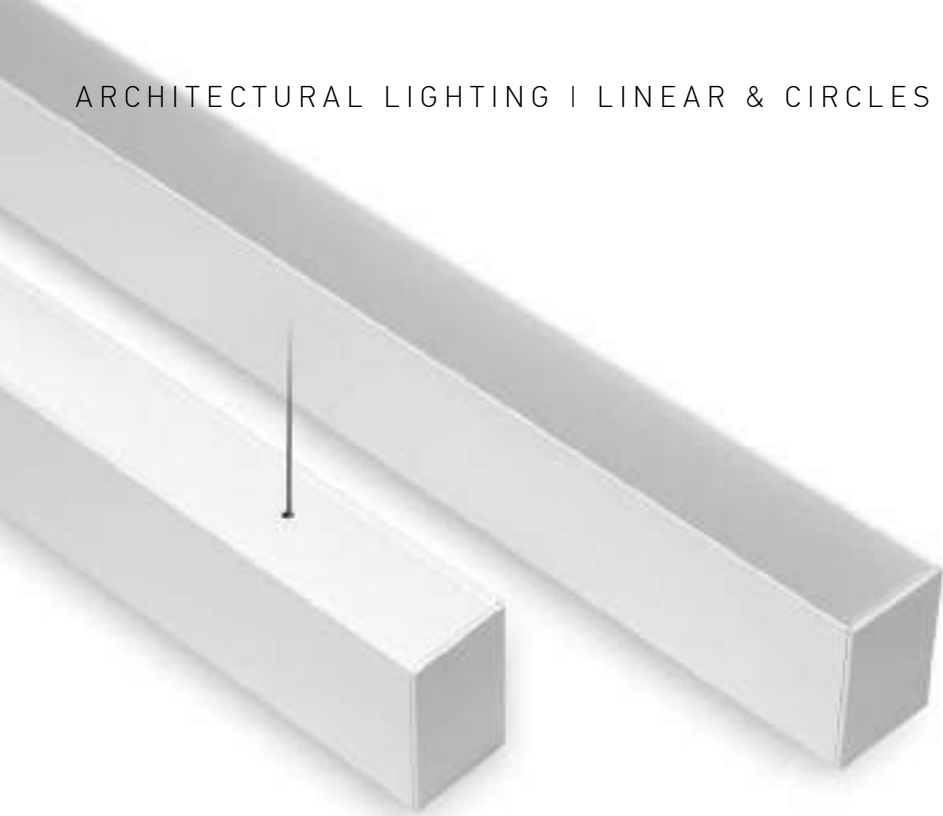
Select technical features to configure your code.

Length*	Driver	Kelvin	Set	Body Color
058 = 58cm	0 = ON-OFF	3 = 3000K	E = HE	W = SANDY WHITE
086 = 86cm	D = DALI	4 = 4000K	O = HO	B = SANDY BLACK
114 = 114cm				G = SANDY GREY
142 = 142cm				
170 = 170cm				
198 = 198cm				
226 = 226cm				
254 = 254cm				
282 = 282cm				
310 = 310cm				
338 = 338cm				

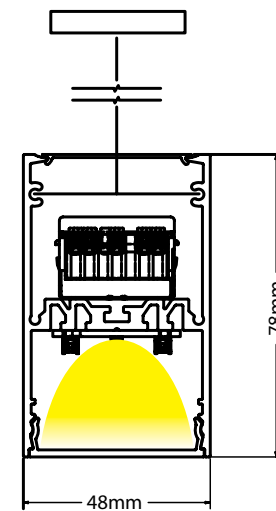
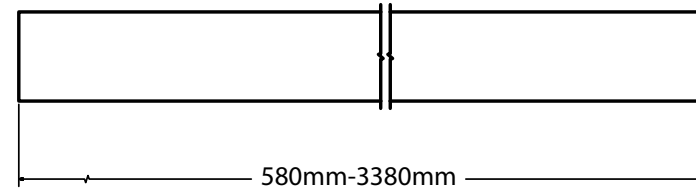
\*Make your choices from the above dimensions only. Is not an open edit length profile.







Pendant Profile



Pendant Your Code : **52**

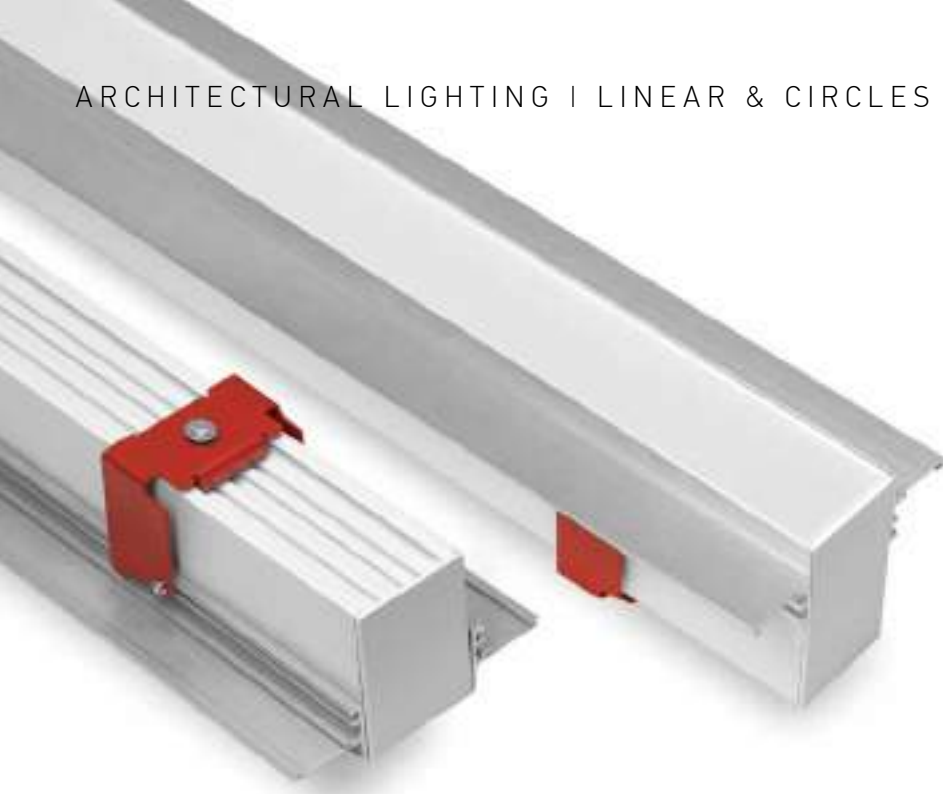
Length	Driver	Kelvin	Set	Body Color
--------	--------	--------	-----	------------

Select technical features to configure your code.

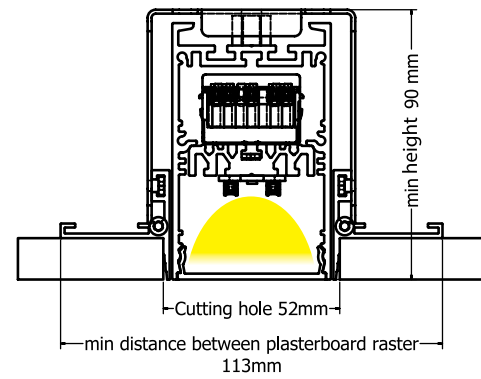
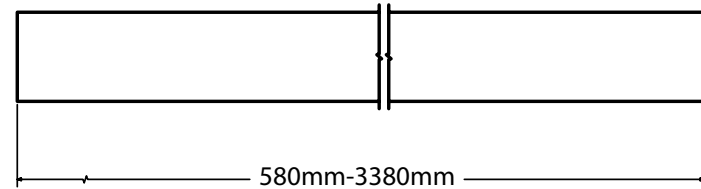
Length*	Driver	Kelvin	Set	Body Color
058 = 58cm	O = ON-OFF	3 = 3000K	E = HE	W = SANDY WHITE
086 = 86cm	D = DALI	4 = 4000K	O = HO	B = SANDY BLACK
114 = 114cm				G = SANDY GREY
142 = 142cm				
170 = 170cm				
198 = 198cm				
226 = 226cm				
254 = 254cm				
282 = 282cm				
310 = 310cm				
338 = 338cm				

\*Make your choices from the above dimensions only. Is not an open edit length profile.





Trimless Profile



Trimless Your Code : **53**

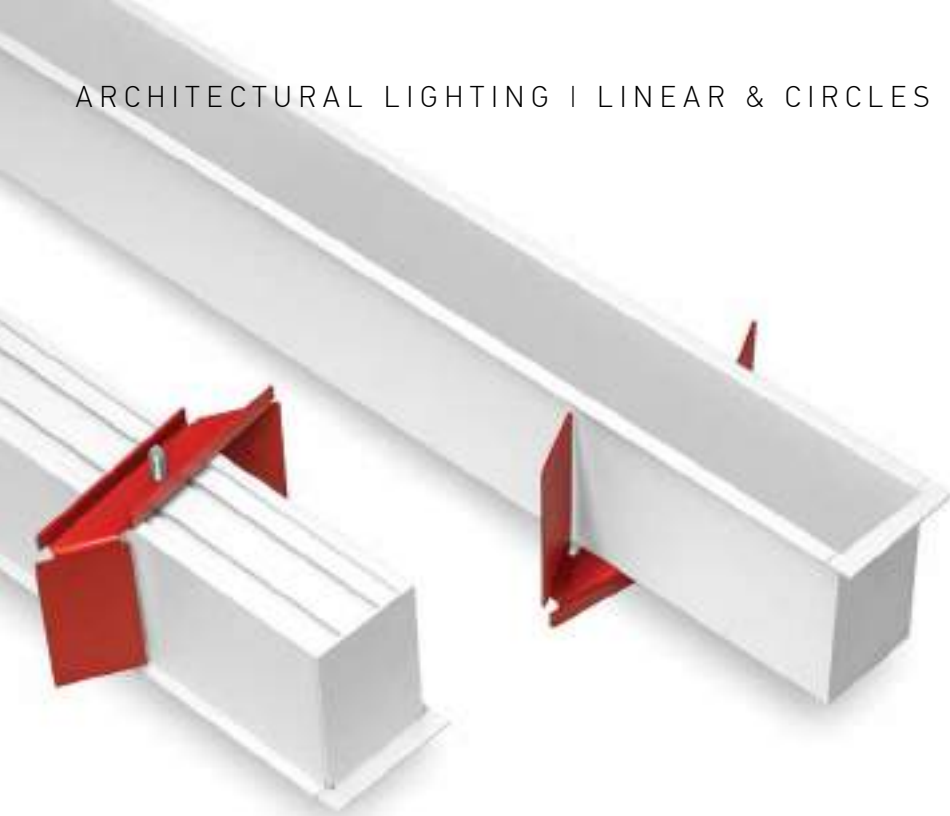
Length	Driver	Kelvin	Set	Body Color
--------	--------	--------	-----	------------

Select technical features to configure your code.

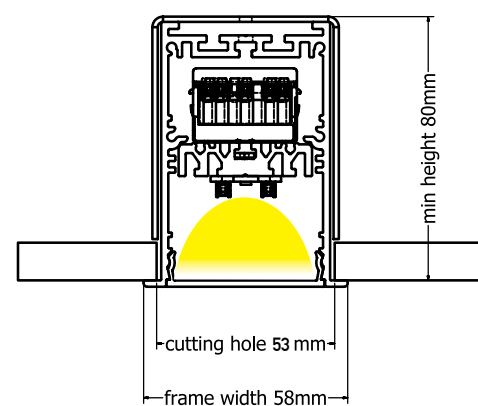
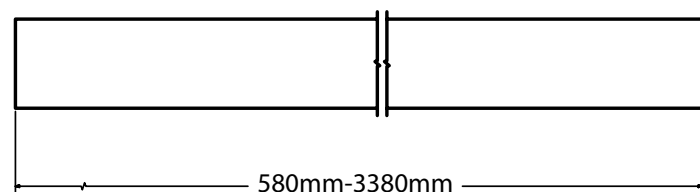
Length*	Driver	Kelvin	Set	Body Color
058 = 58cm	O = ON-OFF	3 = 3000K	E = HE	W = SANDY WHITE
086 = 86cm	D = DALI	4 = 4000K	O = HO	B = SANDY BLACK
114 = 114cm				
142 = 142cm				
170 = 170cm				
198 = 198cm				
226 = 226cm				
254 = 254cm				
282 = 282cm				
310 = 310cm				
338 = 338cm				

\*Make your choices from the above dimensions only. Is not an open edit length profile.





Recessed Profile



Recessed Your Code : **54**

Length	Driver	Kelvin	Set	Body Color
--------	--------	--------	-----	------------

Select technical features to configure your code.

Length*	Driver	Kelvin	Set	Body Color
058 = 58cm	0 = ON-OFF	3 = 3000K	E = HE	W = SANDY WHITE
086 = 86cm	D = DALI	4 = 4000K	O = HO	B = SANDY BLACK
114 = 114cm				
142 = 142cm				
170 = 170cm				
198 = 198cm				
226 = 226cm				
254 = 254cm				
282 = 282cm				
310 = 310cm				
338 = 338cm				

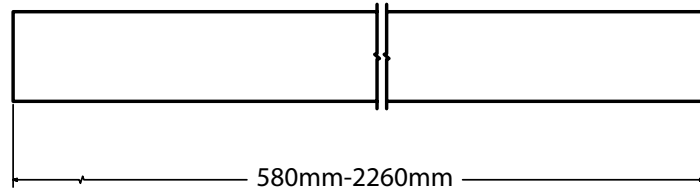
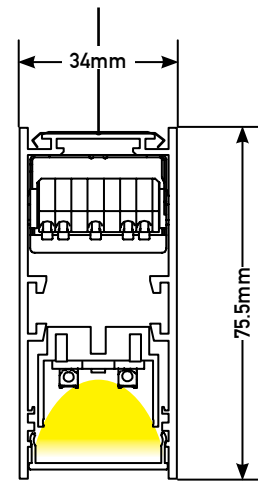
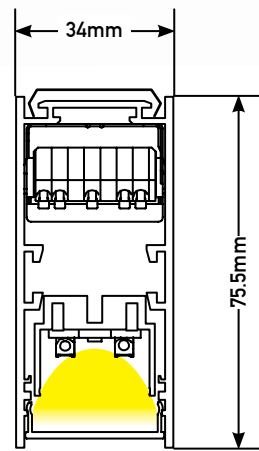
\*Make your choices from the above dimensions only. Is not an open edit length profile.





Ceiling Profile

Pendant Profile



**Ceiling** Your Code : **31** \_\_\_\_\_  
Length Driver Kelvin Set Body Color

**Pendant** Your Code : **32** \_\_\_\_\_  
Length Driver Kelvin Set Body Color

**Select technical features to configure your code.**

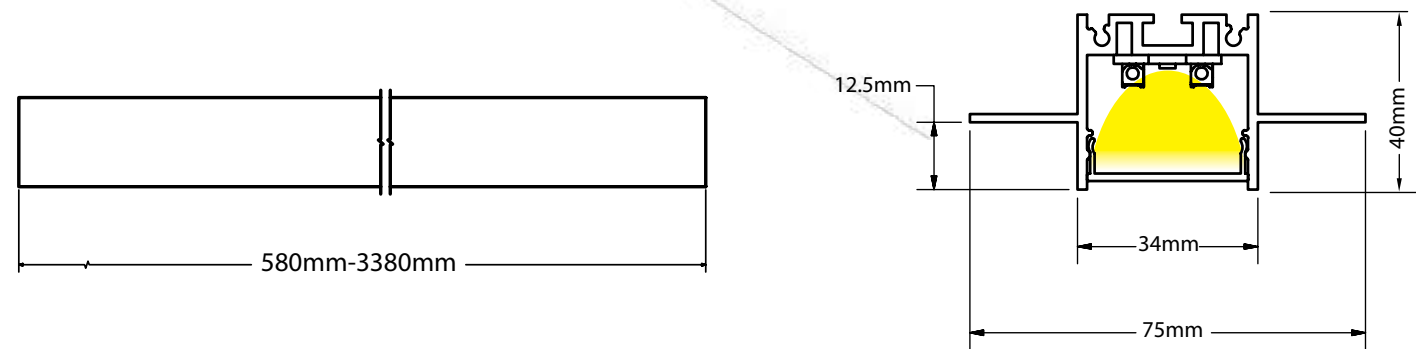
Length*	Driver	Kelvin	Set	Body Color
058 = 58cm	O = ON-OFF	3 = 3000K	E = HE	W = SANDY WHITE
086 = 86cm	D = DALI	4 = 4000K	O = HO	B = SANDY BLACK
114 = 114cm				
142 = 142cm				
170 = 170cm				
198 = 198cm				
226 = 226cm				

\*Make your choices from the above dimensions only. Is not an open edit length profile.





Trimless Profile



Trimless Your Code : **33**

Length	Driver	Kelvin	Set	Body Color
--------	--------	--------	-----	------------

Select technical features to configure your code.

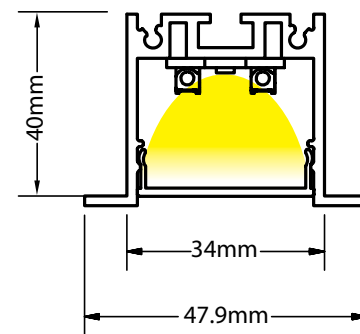
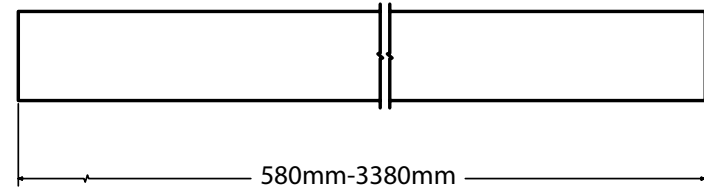
Length*	Driver	Kelvin	Set	Body Color
058 = 58cm	0 = ON-OFF	3 = 3000K	E = HE	W = SANDY WHITE
086 = 86cm	D = DALI	4 = 4000K	O = HO	B = SANDY BLACK
114 = 114cm				
142 = 142cm				
170 = 170cm				
198 = 198cm				
226 = 226cm				
254 = 254cm				
282 = 282cm				
310 = 310cm				
338 = 338cm				

\*Make your choices from the above dimensions only. Is not an open edit length profile.





Recessed Profile



Recessed Your Code : **34**

Length	Driver	Kelvin	Set	Body Color
--------	--------	--------	-----	------------

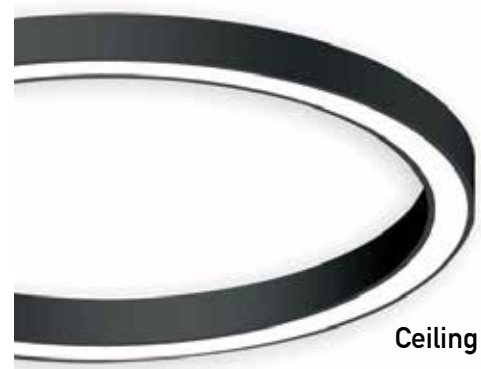
Select technical features to configure your code.

Length*	Driver	Kelvin	Set	Body Color
058 = 58cm	0 = ON-OFF	3 = 3000K	E = HE	W = SANDY WHITE
086 = 86cm	D = DALI	4 = 4000K	O = HO	B = SANDY BLACK
114 = 114cm				
142 = 142cm				
170 = 170cm				
198 = 198cm				
226 = 226cm				
254 = 254cm				
282 = 282cm				
310 = 310cm				
338 = 338cm				

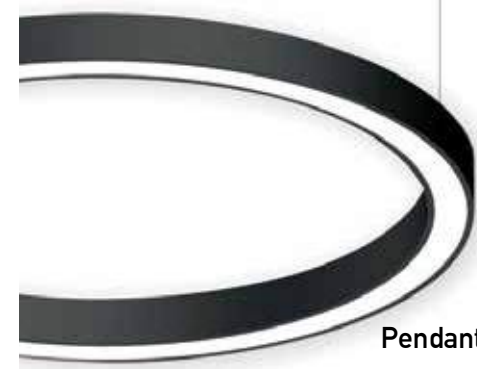
\*Make your choices from the above dimensions only. Is not an open edit length profile.



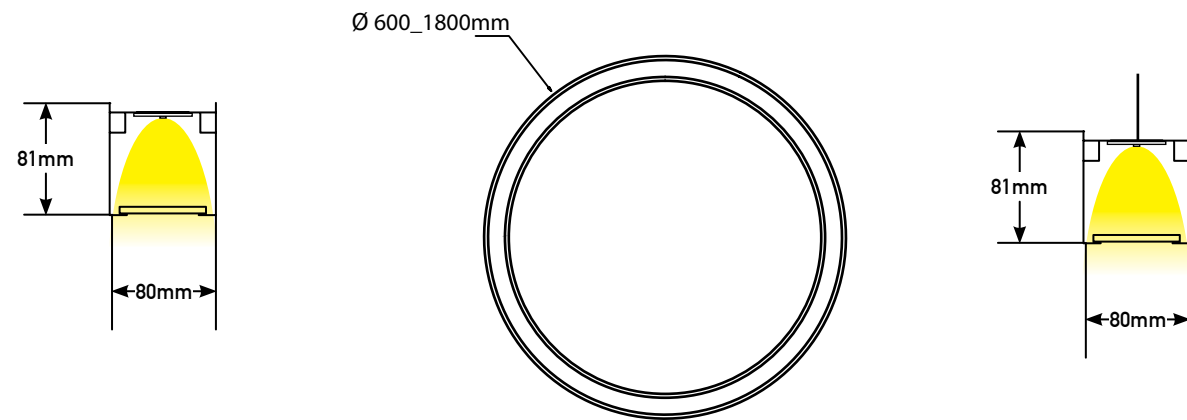




Ceiling Circle



Pendant Circle



**Ceiling** Your Code : **81** \_\_\_\_\_  
Diameter Kelvin Body Color

**Pendant** Your Code : **82** \_\_\_\_\_  
Diameter Kelvin Body Color

**Select technical features to configure your code.**

Diameter*	Kelvin	Body Color
06 = 60cm	3 = 3000K	W = SANDY WHITE
09 = 90cm	4 = 4000K	B = SANDY BLACK
12 = 120cm		
18 = 180cm		

\*Make your choices from the above dimensions only. Is not an open edit length profile.

**LED Circle Luminaire**, made of a curved extruded aluminium, power-coated with fine sandy finish. Designed for ceiling/pendant mounting, providing direct light emission through satined polycarbonate for an almost homogeneous emission of light. Luminaire equipped with the latest generation of well known LED boards. Driver ON/OFF

CUSTOM DIAMETER FROM 50cm UPON REQUEST

High Output			
Diameter (cm)	Watt	3000K (Lumen)	4000K (Lumen)
60	54	7267	7650
90	81	10858	11430
120	116	14449	15210
180	161	21660	22800





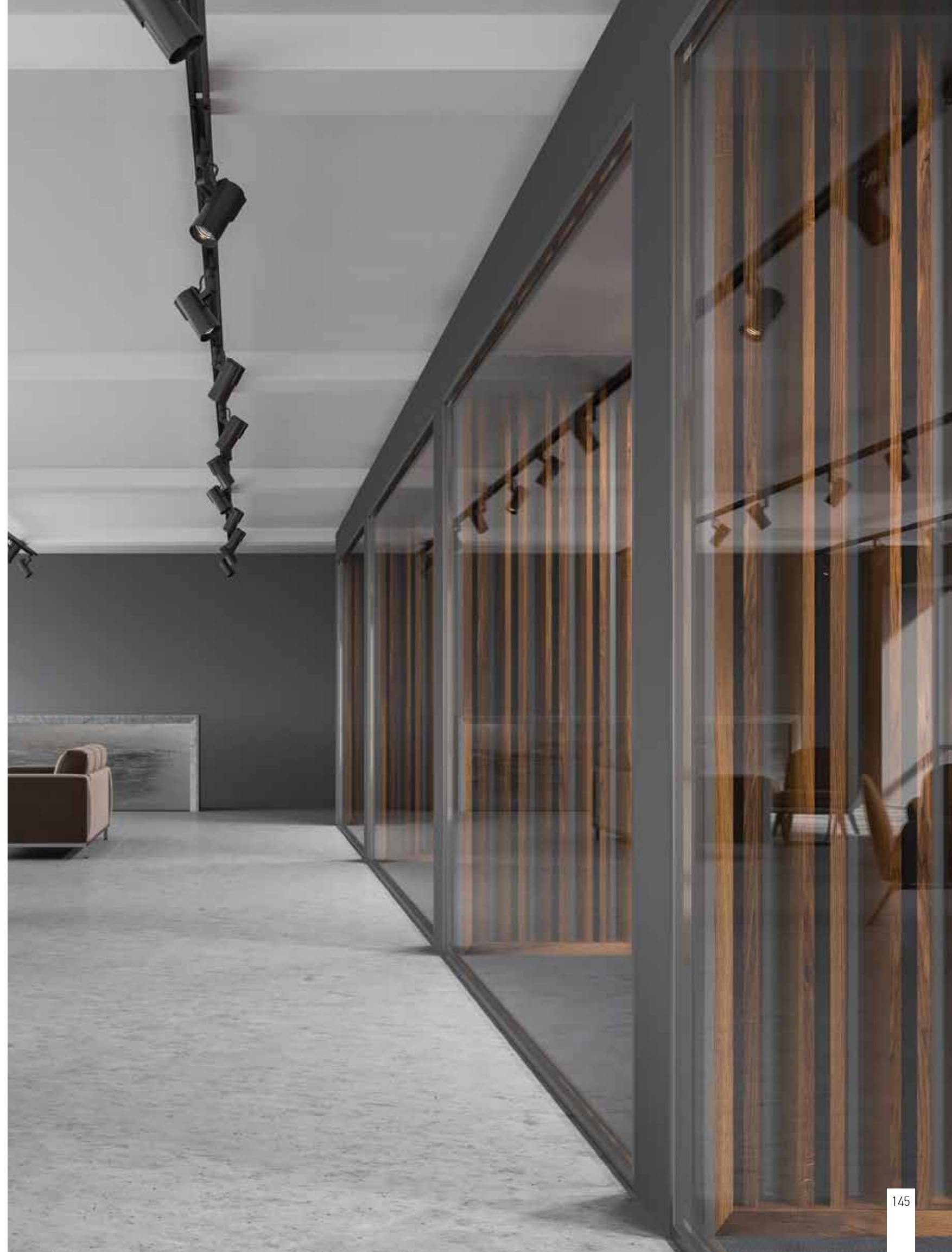


3-PHASE TRACKS & LIGHTS | p.144-165

High quality Track System for the professional lighting market is suitable for track lights with 3-Phase adapters.

A comprehensive range of innovative accessories gives designers maximum freedom to create unique track plans.

The mounting features make the track system quick and easy to install.



ARCHITECTURAL LIGHTING | 3-PHASE TRACKS & LIGHTS



Dimensions  
Description L: 300cm W: 3.2cm H: 3.5cm  
Square Track Surface 100-240V  
Color Black / **Code 19400**  
Color White / **Code 19401**



Dimensions  
Description L: 200cm W: 3.2cm H: 3.5cm  
Square Track Surface 100-240V  
Color Black / **Code 19400-2M**  
Color White / **Code 19401-2M**



Dimensions  
Description L: 17cm W: 10cm H: 3.4cm  
T Connector for 3 Circuit Lighting Track  
100-240V  
Color Black / **Code 19408**  
Color White / **Code 19409**



Dimensions  
Description L: 10cm W: 10cm H: 3.4cm  
Corner for 3 Circuit Lighting Track  
100-240V  
Special Feature Right Corner / Left Corner  
Color Black-Right / **Code 19404-R**  
Color Black-Left / **Code 19404-L**  
Color White-Right / **Code 19405-R**  
Color White-Left / **Code 19405-L**



Dimensions  
Description L: 100cm W: 3.2cm H: 3.5cm  
Square Track Surface 100-240V  
Color Black / **Code 19400-1M**  
Color White / **Code 19401-1M**



Dimensions  
Description L: 400cm W: 3.2cm H: 3.5cm  
Square Track Surface 100-240V  
Color Black / **Code 19400-4M**  
Color White / **Code 19401-4M**



Dimensions  
Description Ø: 11.2cm H: 3.2cm  
Surface Mount Base for Track Spots  
100-240V  
Color Black / **Code 19412**  
Color White / **Code 19413**



Dimensions  
Description L: 7cm H: 2.6cm  
Inner Connector for 3 Circuit Lighting Track  
100-240V  
Color Black / **Code 19415**  
Color White / **Code 19416**



Dimensions  
Description L: 17cm H: 3.4cm  
Live Connector for 3 Circuit Lighting Track  
100-240V  
Color Black / **Code 19406**  
Color White / **Code 19407**



Dimensions  
Description L: 10cm H: 3.4cm  
Feeder for 3 Circuit Lighting Track  
100-240V  
Special Feature Right Feeder / Left Feeder  
Color Black-Right / **Code 19402-R**  
Color Black-Left / **Code 19402-L**  
Color White-Right / **Code 19403-R**  
Color White-Left / **Code 19403-L**



Dimensions  
Description L: 3.2cm H: 3.2cm  
End Cap for 3 Circuit Lighting Track  
100-240V  
Color Black / **Code 19410**  
Color White / **Code 19411**

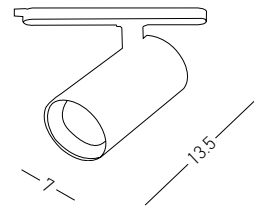


Dimensions  
Description L: 17cm H: 3.4cm  
Flex Connector for 3 Circuit Lighting Track  
100-240V  
Color Black / **Code 19430**  
Color White / **Code 19431**



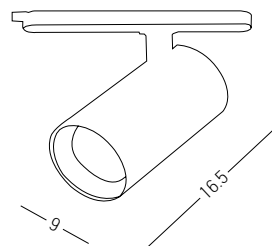
Dimensions  
Description 200cm  
Adjustable Wire for 3 Circuit Lighting Track  
100-240V  
Material Metal  
Color Metallic / **Code 19414**





Power 20W  
 Input 220-240V, 50/60Hz  
 Color Temperature 3000K | 4000K  
 Lumen 2115Lm  
 Cri 80  
 Dimensions Ø: 7cm H: 13.5cm  
 Material Aluminium  
 Special Feature 3 Phase Track Light Driver on Track

**Code S065-**



Power 38W  
 Input 220-240V, 50/60Hz  
 Color Temperature 3000K | 4000K  
 Lumen 3759Lm  
 Cri 80  
 Dimensions Ø: 9cm H: 16.5cm  
 Material Aluminium  
 Special Feature 3 Phase Track Light Driver on Track

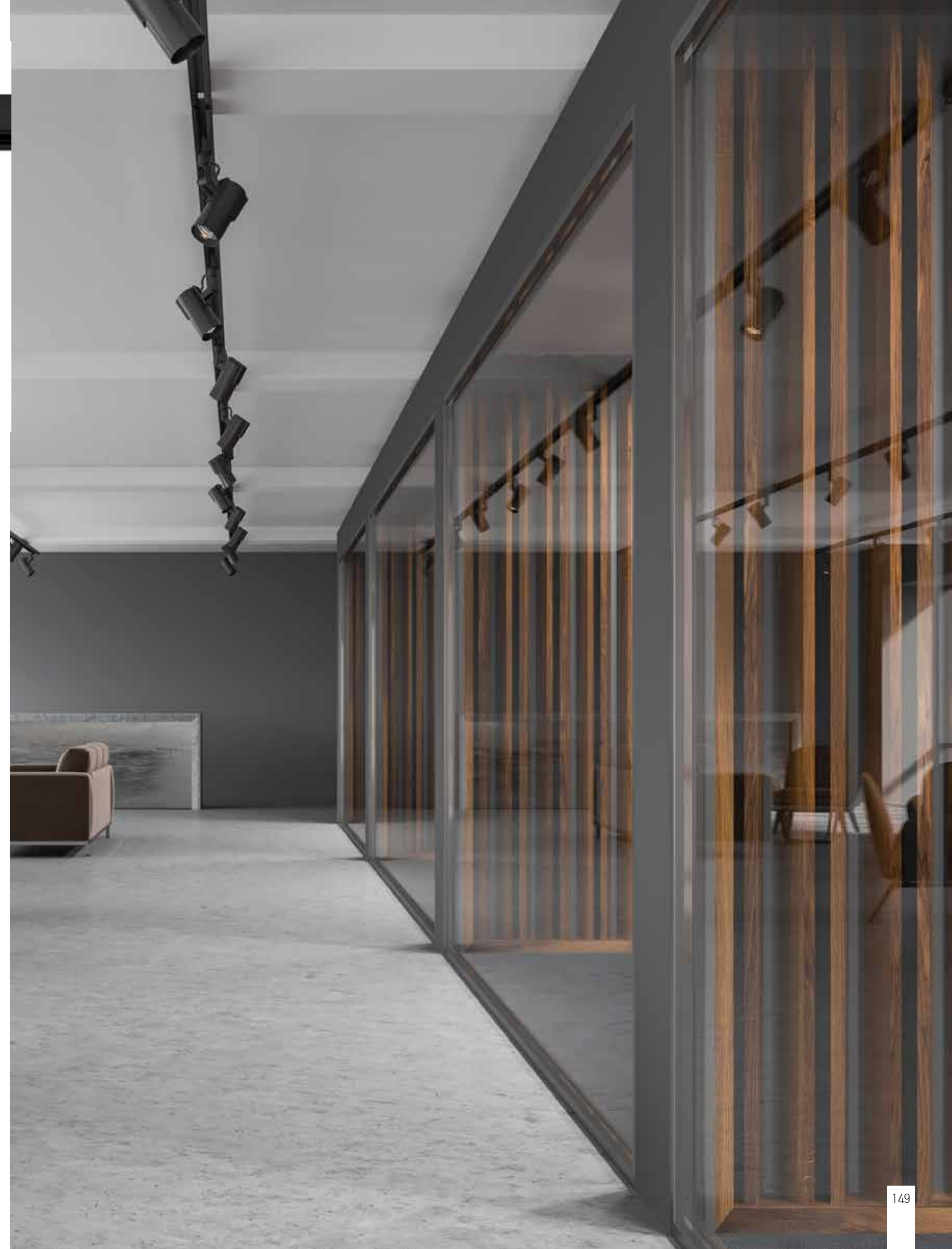
**Code S066-**

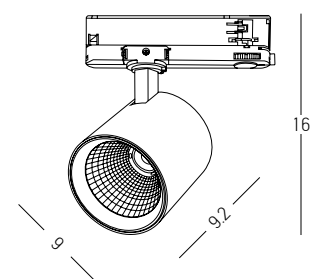
Select technical features to configure your code.

Kelvin	Body Color	Beam Angle
3 = 3000K	W = SANDY WHITE	15 = 15°
4 = 4000K	B = SANDY BLACK	24 = 24°
		36 = 36°

Your Code : **S065-**                             
 Kelvin    Body Color    Beam Angle

Your Code : **S066-**                             
 Kelvin    Body Color    Beam Angle

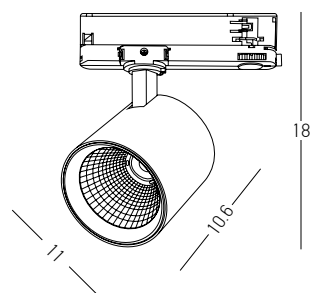




Power 25W  
 Input 220-240V, 50/60Hz  
 Color Temperature 3000K | 4000K  
 Lumen 2460Lm  
 Cri 90  
 Dimensions Ø: 9cm H: 9.2cm  
 Beam Angle 36°  
 Material Aluminium  
 Special Feature 3 Phase Track Light  
 Color 3000K Sandy White / **Code S198**  
 Color 3000K Sandy Black / **Code S200**  
 Color 4000K Sandy White / **Code S197**  
 Color 4000K Sandy Black / **Code S199**

**Lens for 25W Spots**

Dimensions Ø: 9cm  
 Beam Angle 24°  
**Code LNS197**

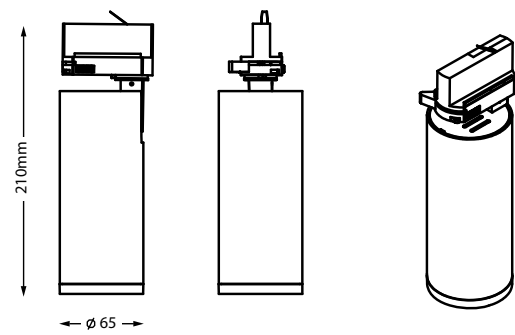


Power 42W  
 Input 220-240V, 50/60Hz  
 Color Temperature 3000K | 4000K  
 Lumen 4130Lm  
 Cri 90  
 Dimensions Ø: 11cm H: 10.6cm  
 Beam Angle 36°  
 Material Aluminium  
 Special Feature 3 Phase Track Light  
 Color 3000K Sandy White / **Code S202**  
 Color 4000K Sandy White / **Code S201**  
 Color 4000K Sandy Black / **Code S203**

**Lens for 42W Spots**

Dimensions Ø: 11cm  
 Beam Angle 24°  
**Code LNS202**

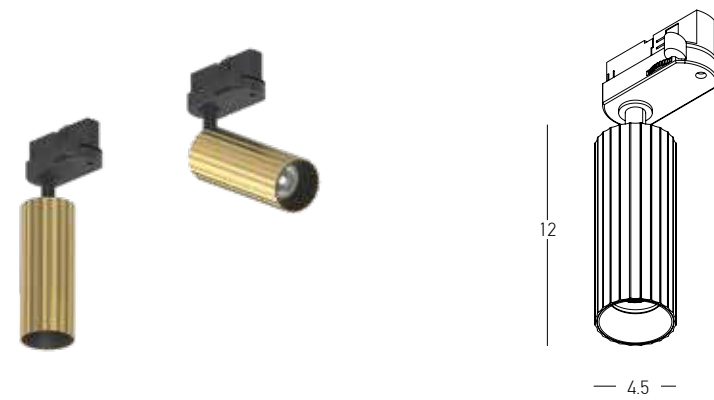




Power 15W  
 Input 220-240V, 50/60Hz  
 Color Temperature 3000K | 4000K  
 Lumen 1800Lm  
 Cri 80  
 Dimensions Ø: 6.5cm H: 16cm  
 Non Dimmable   
 Material Aluminium  
 Special Feature 3 Phase Track Light

Color 3000K Sandy Black / **Code 18303**  
 Color 3000K Sandy White / **Code 18304**  
 Color 4000K Sandy Black / **Code 18305**  
 Color 4000K Sandy White / **Code 18306**

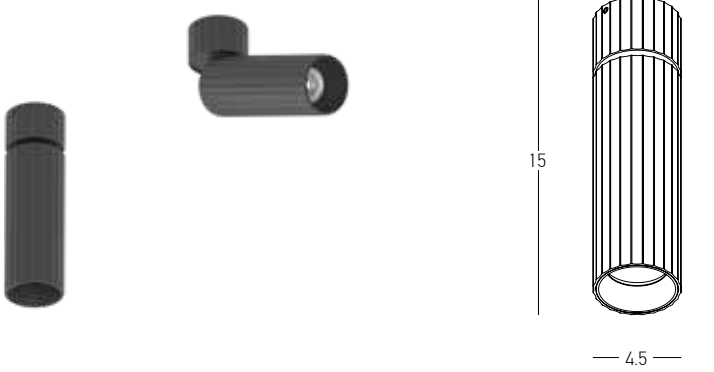




Power 7W  
 Input 220-240V, 50/60Hz  
 Color Temperature 3000K  
 Lumen 580Lm  
 Cri 90  
 Dimensions Ø: 4.5cm H: 12cm  
 Beam Angle 36°  
 Material Aluminium  
 Special Feature 3 Phase Track Light  
 Color Brushed Brass / **Code S114**  
 Color White Matt / **Code S115**  
 Color Black Matt / **Code S116**



Power 7W  
 Input 220-240V, 50/60Hz  
 Color Temperature 3000K  
 Lumen 580Lm  
 Cri 90  
 Dimensions Ø: 4.5cm H: 12cm  
 Base Ø: 5.5cm  
 Beam Angle 36°  
 Cutting Hole Ø: 4cm  
 Material Aluminium  
 Special Feature Recessed Track Light  
 Included LED Driver  
 Color Brushed Brass / **Code S117**  
 Color White Matt / **Code S118**  
 Color Black Matt / **Code S119**



Power 7W  
 Input 220-240V, 50/60Hz  
 Color Temperature 3000K  
 Lumen 580Lm  
 Cri 90  
 Dimensions Ø: 4.5cm H: 15cm  
 Base Ø: 4.5cm H: 3cm  
 Beam Angle 36°  
 Material Aluminium  
 Special Feature Included LED Driver  
 Color Brushed Brass / **Code S120**  
 Color White Matt / **Code S121**  
 Color Black Matt / **Code S122**



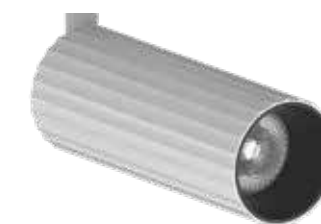
Bulb 1x GU10  
 Power 40W MAX  
 Input 220-240V, 50/60Hz  
 Dimensions Ø: 5.2cm H: 12.8cm  
 Spot Ø: 5.2cm H: 9.3cm  
 Base Ø: 5.2cm H: 3cm  
 Material Aluminium  
 Special Feature Included LED Driver  
 Color White Sandy / **Code S123**  
 Color Black Sandy / **Code S124**



Model Finishing



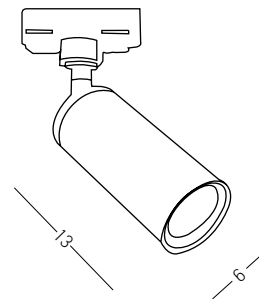
Brushed Brass



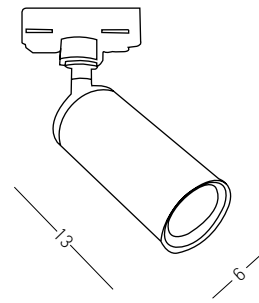
White Matt



Black Matt

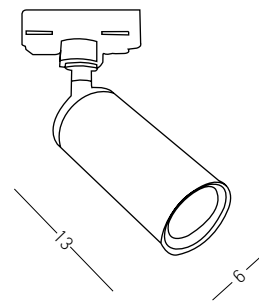


Bulb 1x GU10  
 Power 35W MAX  
 Dimensions Ø: 6cm H: 13cm  
 Material Aluminium  
 Special Feature 3 Phase Track Light  
 Color Black Matt / **Code S059**  
 Color White Matt / **Code S058**



Power 9W  
 Input 220-240V, 50/60Hz  
 Color Temperature 3000K  
 Lumen 1000Lm  
 Cri 90  
 Dimensions Ø: 6cm H: 13cm  
 Beam Angle 15° / 24° / 40°  
 Material Aluminium  
 Special Feature 3 Phase Track Light  
 Included LED Driver  
 Color Black Matt / **Code S059-15**  
 Color Black Matt / **Code S059-24**  
 Color Black Matt / **Code S059-40**  
 Color White Matt / **Code S058-15**  
 Color White Matt / **Code S058-24**  
 Color White Matt / **Code S058-40**

**OSRAM**

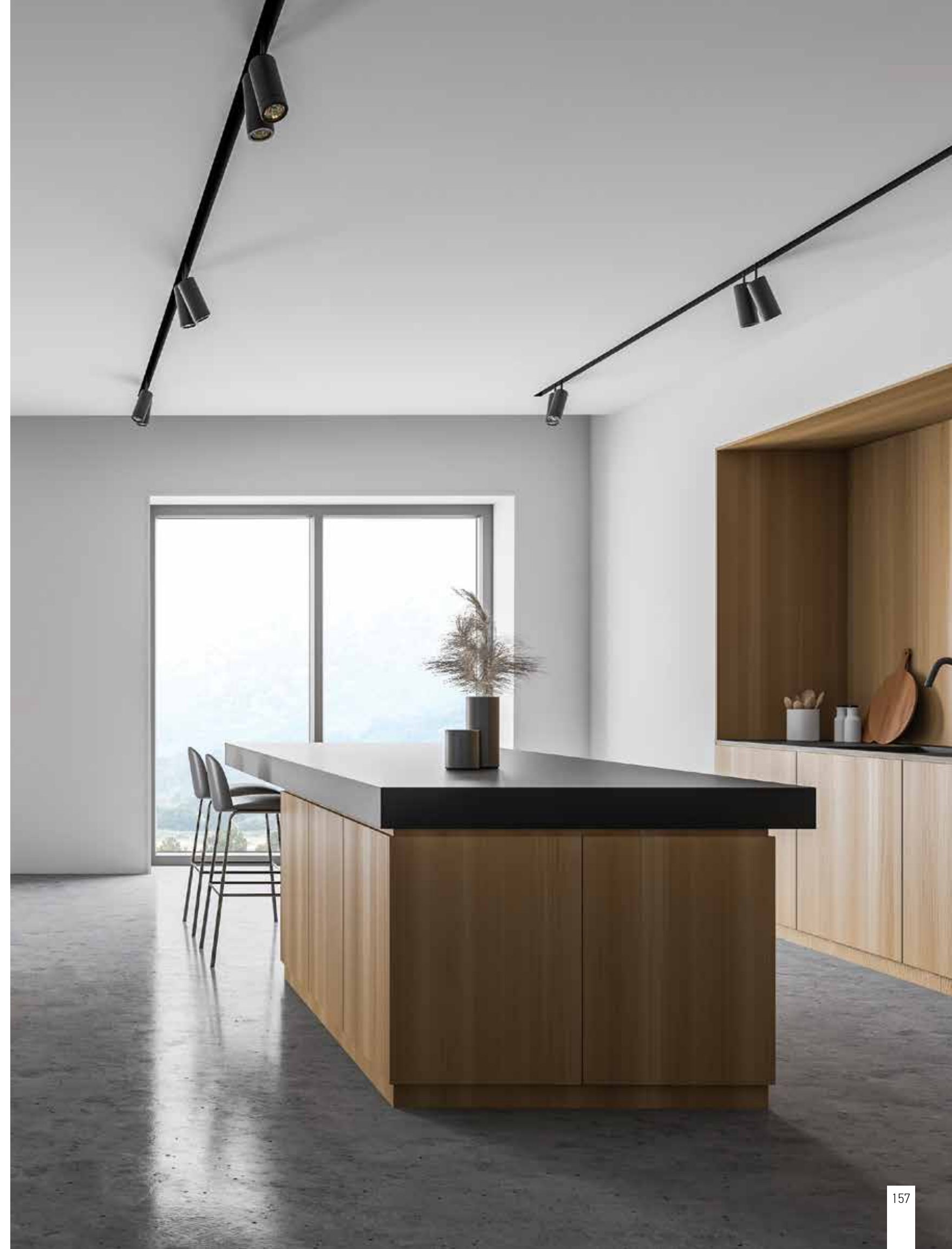


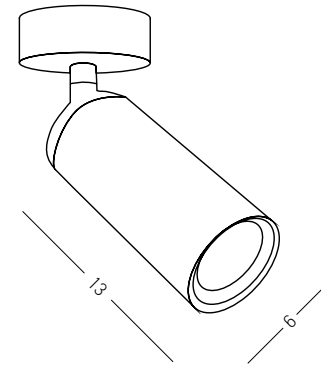
Bulb 1x GU10  
 Power 35W MAX  
 Dimensions Ø: 6cm H: 13cm  
 Material Aluminium  
 Special Feature 3 Phase Track Light  
 Color Black Matt / **Code S062**

Power 9W  
 Input 220-240V, 50/60Hz  
 Color Temperature 3000K  
 Lumen 1000Lm  
 Cri 90  
 Dimensions Ø: 6cm H: 13cm  
 Beam Angle 15° / 24° / 40°  
 Material Aluminium  
 Special Feature 3 Phase Track Light  
 Included LED Driver

Color Black Matt / **Code S062-15**  
 Color Black Matt / **Code S062-24**  
 Color Black Matt / **Code S062-40**

**OSRAM**

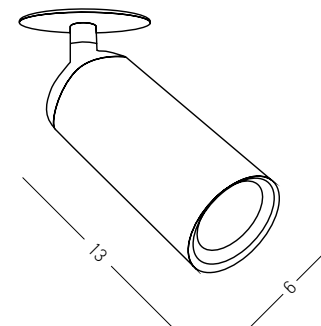




Bulb 1x GU10  
 Power 35W MAX  
 Dimensions Ø: 6cm H: 20cm  
 Cylinder Ø: 6cm H: 13cm  
 Base Ø: 6cm H: 3cm  
 Material Aluminium  
 Color Black Matt / **Code S055**  
 Color White Matt / **Code S054**

Power 9W  
 Input 220-240V, 50/60Hz  
 Color Temperature 3000K  
 Lumen 1000Lm  
 Cri 90  
 Dimensions Ø: 6cm H: 20cm  
 Cylinder Ø: 6cm H: 13cm  
 Base Ø: 6cm H: 3cm  
 Beam Angle 15° / 24° / 40°  
 Material Aluminium  
 Special Feature Included LED Driver  
 Color Black Matt / **Code S055-15**  
 Color Black Matt / **Code S055-24**  
 Color Black Matt / **Code S055-40**  
 Color White Matt / **Code S054-15**  
 Color White Matt / **Code S054-24**  
 Color White Matt / **Code S054-40**

**OSRAM**



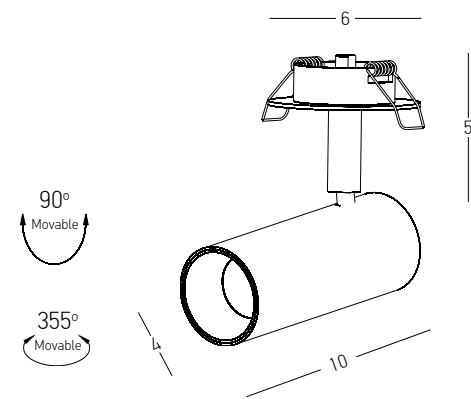
Bulb 1x GU10  
 Power 35W MAX  
 Dimensions Ø: 6cm H: 17cm  
 Cylinder Ø: 6cm H: 13cm  
 Base Ø: 6cm  
 Cutting Hole Ø: 5cm  
 Material Aluminium  
 Special Feature Recessed Track Light  
 Color Black Matt / **Code S057**  
 Color White Matt / **Code S056**

Power 9W  
 Input 220-240V, 50/60Hz  
 Color Temperature 3000K  
 Lumen 1000Lm  
 Cri 90  
 Dimensions Ø: 6cm H: 17cm  
 Cylinder Ø: 6cm H: 13cm  
 Base Ø: 6cm  
 Beam Angle 15° / 24° / 40°  
 Cutting Hole Ø: 5cm  
 Material Aluminium  
 Special Feature Recessed Track Light  
 Included LED Driver  
 Color Black Matt / **Code S057-15**  
 Color Black Matt / **Code S057-24**  
 Color Black Matt / **Code S057-40**  
 Color White Matt / **Code S056-15**  
 Color White Matt / **Code S056-24**  
 Color White Matt / **Code S056-40**

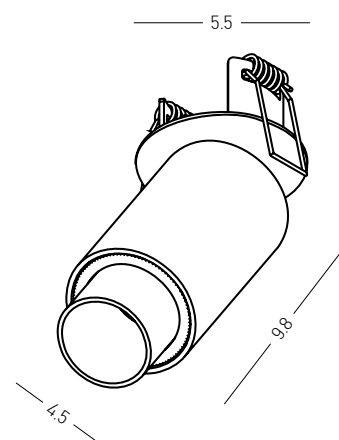
**OSRAM**



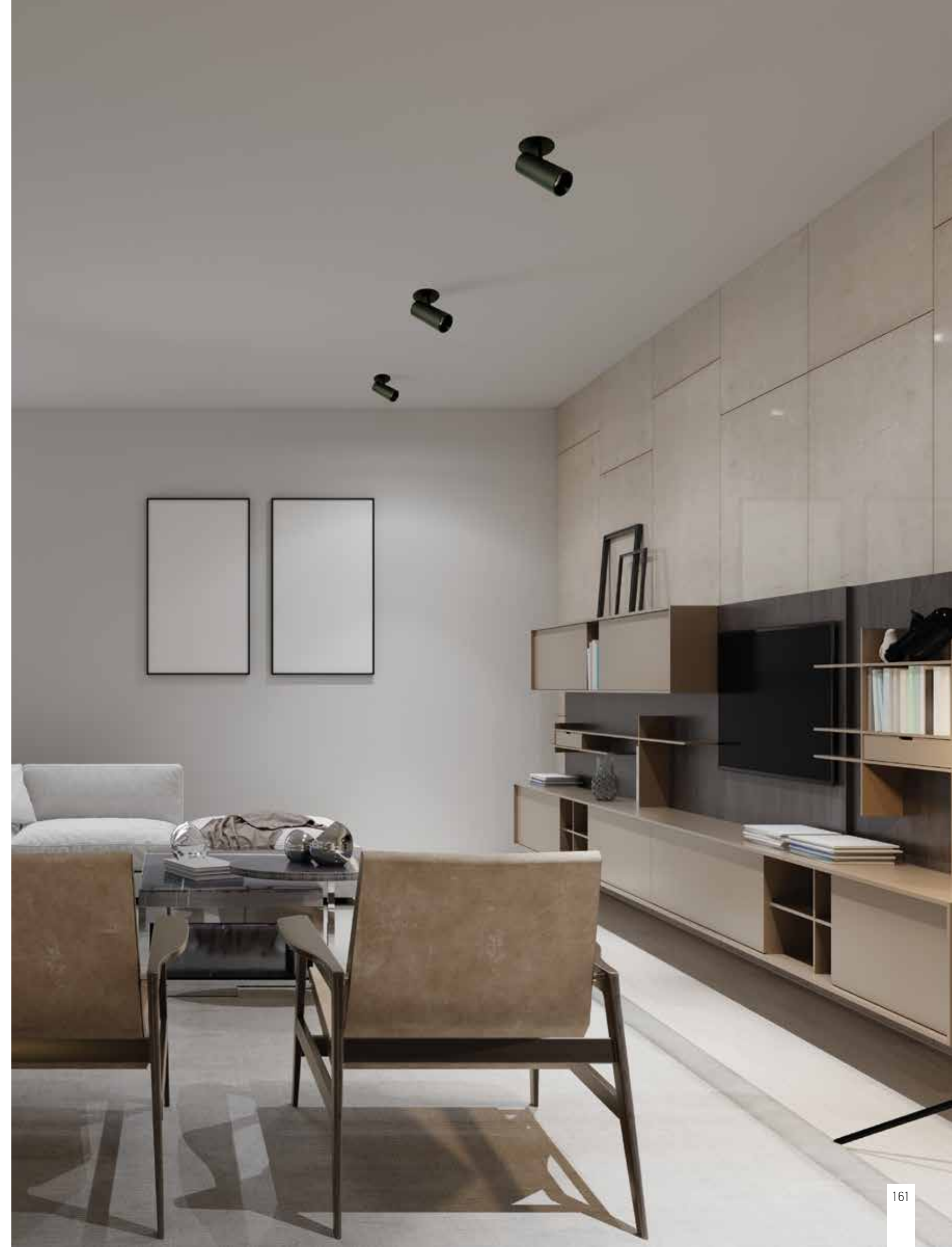


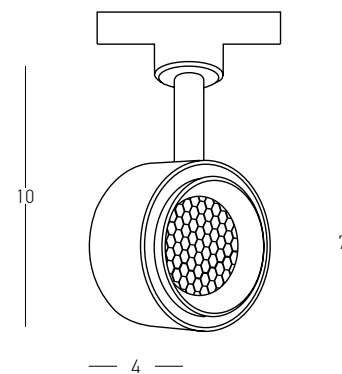


Power 1x 7W COB LED  
 Input 20V / 350mA  
 Color Temperature 3000K  
 Lumen 660Lm  
 Cri 90  
 Dimensions Ø: 4cm H: 10cm  
 Beam Angle 36°  
 Cutting Hole Ø: 4.5cm  
 Base Ø: 6cm  
 Material Aluminium  
 Suggested On-Off Driver LSCW350P for 1 Fixture  
 Suggested DALI Driver 4062172151252 for 1 Fixture  
 Special Feature Rotation and Tilt Up-Down  
 Color Sandy White / **Code 180015**  
 Sandy Black / **Code 180017**



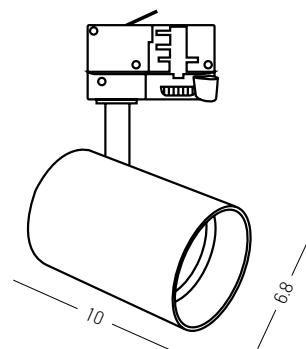
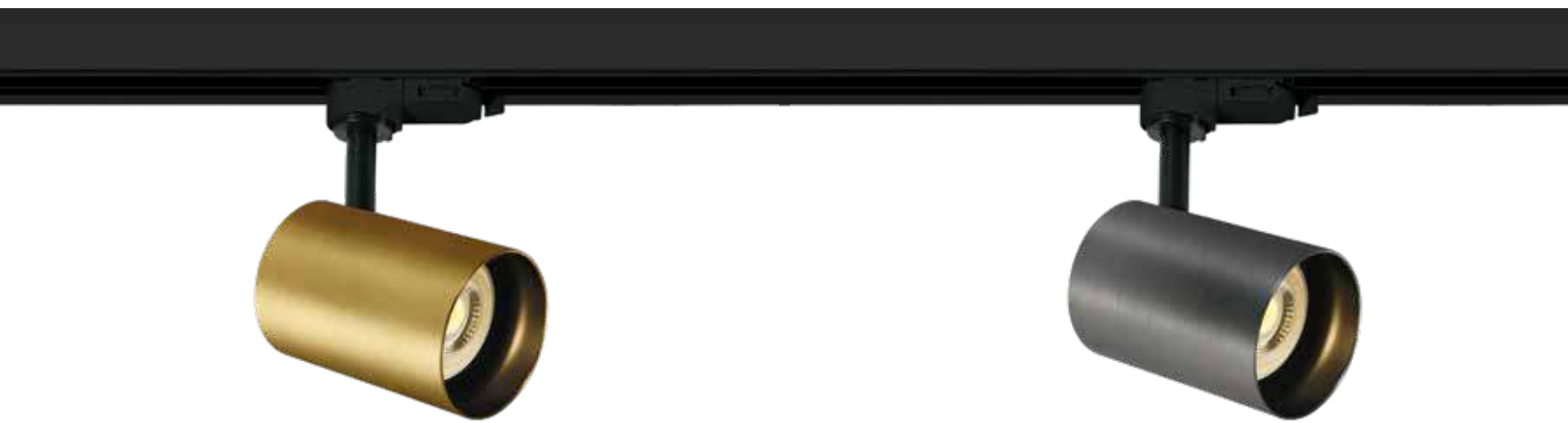
Power 8W  
 Input 220-240V, 50/60Hz  
 Color Temperature 3000K  
 Lumen 700Lm  
 Cri 80  
 Dimensions Ø: 4.5cm H: 9.8cm  
 Beam Angle 15-30° Adjustable  
 Cutting Hole Ø: 5cm  
 Base Ø: 5.5cm  
 Material Aluminium  
 Suggested DALI Driver 4062172151252 for 1 Fixture  
 Special Feature Rotation and Tilt Up-Down  
 Recessed Zoomable Spot  
 Included LED Driver / 350mA  
 Color Sandy White - Black / **Code 1928**  
 Sandy Black / **Code 1928-B**





Power 8W  
 Input 220-240V, 50/60Hz  
 Color Temperature 3000K  
 Lumen 600Lm  
 Cri 80  
 Dimensions Ø: 7cm L: 4cm H: 10cm  
 Beam Angle 36°  
 Dimmable Triac   
 Material Aluminium  
 Special Feature 3 Phase Track Light  
 Included Honeycomb

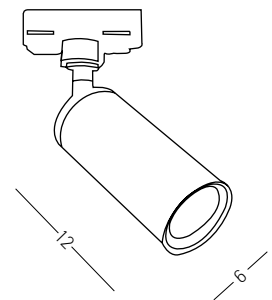
Color Sandy Black / **Code Z65644T-B**  
 Sandy White / **Code Z65644T-W**



Bulb 1x GU10 LED  
 Power 10W MAX  
 Input 220-240V, 50/60Hz  
 Dimensions Ø: 6.8cm H: 10cm  
 Material Aluminium  
 Special Feature 3 Phase Track Light

Color Brushed Brass / **Code Z65105NT-BB**  
 Metal Grey / **Code Z65105NT-G**





Bulb 1x GU10  
 Power 35W MAX  
 Dimensions Ø: 6cm H: 12cm  
 Material Aluminium  
 Special Feature 3 Phase Track Light  
 Color Sandy Black / **Code S038**  
 Color Sandy White / **Code S037**

Material Aluminium  
 Color Gold / **Code Ring G**



DOWNLIGHT RECESSED & TRIMLESS LED SPOTS | p.166-201



Small Size

Short Body

High Power

360°  
Rotation Angle

30°  
Beam Angle

## Easy Installation , Easy Dismount...

### Recessed Spot Installation



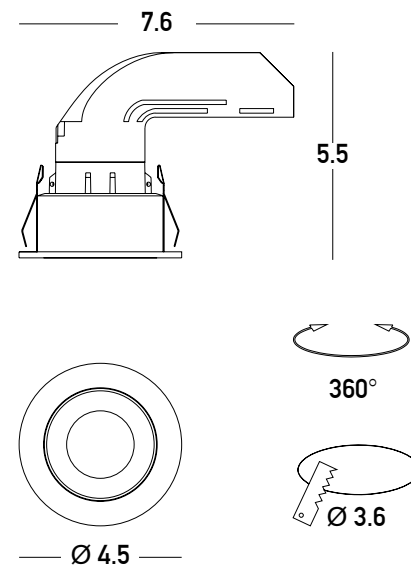
### Trimless Spot Installation



### Two Steps Dismount

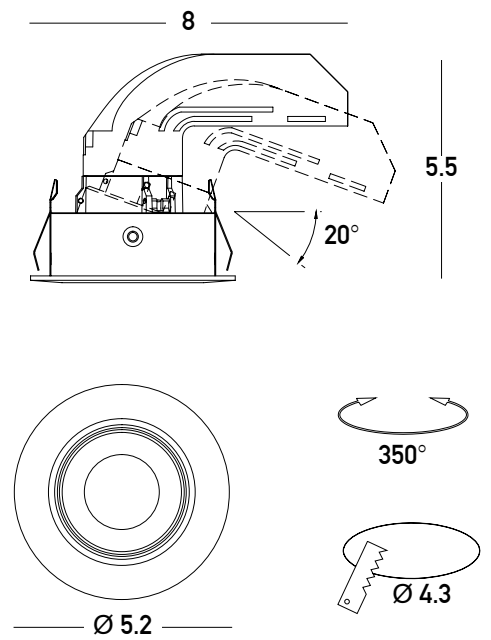


Power 6.5W  
 Input 36V, 150mA  
 Color Temperature 2700K  
 Lumen 331Lm  
 Cri 90  
 Dimensions Ø: 4.5cm L: 7.6cm H: 5.5cm  
 Beam Angle 30°  
 Cutting Hole Ø: 3.6cm  
 Depth Required JTl : 6cm  
 Material Aluminium  
 Suggested On-Off Driver LS-6-150 for 1 Fixture (pass from the hole)  
 Suggested DALI Driver 4062172151252 for 1 Fixture (remote application)  
 Color White Matt / **Code S135**



Power 6.5W  
 Input 36V, 150mA  
 Color Temperature 3000K  
 Lumen 361Lm  
 Cri 90  
 Dimensions Ø: 4.5cm L: 7.6cm H: 5.5cm  
 Beam Angle 30°  
 Cutting Hole Ø: 3.6cm  
 Depth Required JTl : 6cm  
 Material Aluminium  
 Suggested On-Off Driver LS-6-150 for 1 Fixture (pass from the hole)  
 Suggested DALI Driver 4062172151252 for 1 Fixture (remote application)  
 Color White Matt / **Code S136**

Power 6.5W  
 Input 36V, 150mA  
 Color Temperature 2700K  
 Lumen 331Lm  
 Cri 90  
 Dimensions Ø: 5.2cm L: 8cm H: 5.5cm  
 Beam Angle 30°  
 Cutting Hole Ø: 4.3cm  
 Depth Required JTl : 6cm  
 Material Aluminium  
 Suggested On-Off Driver LS-6-150 for 1 Fixture (pass from the hole)  
 Suggested DALI Driver 4062172151252 for 1 Fixture (remote application)  
 Special Feature Adjustable  
 Color White Matt / **Code S139**



Power 6.5W  
 Input 36V, 150mA  
 Color Temperature 3000K  
 Lumen 361Lm  
 Cri 90  
 Dimensions Ø: 5.2cm L: 8cm H: 5.5cm  
 Beam Angle 30°  
 Cutting Hole Ø: 4.3cm  
 Depth Required JTl : 6cm  
 Material Aluminium  
 Suggested On-Off Driver LS-6-150 for 1 Fixture (pass from the hole)  
 Suggested DALI Driver 4062172151252 for 1 Fixture (remote application)  
 Special Feature Adjustable  
 Color White Matt / **Code S140**



CODE	mA	Watt	V
LS-6-150	150	6	27-40



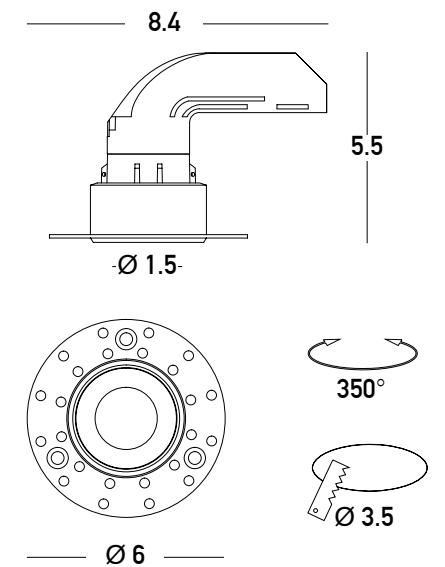
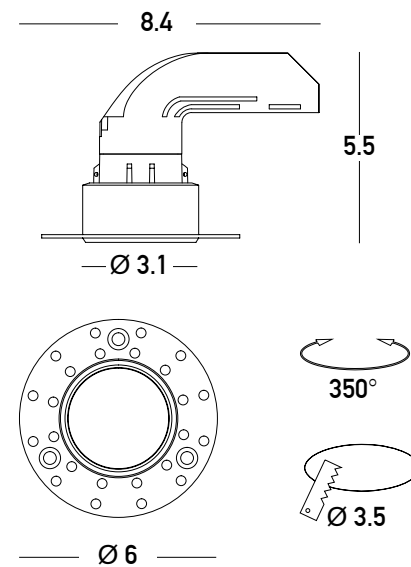
CODE	mA	Watt	V
4062172151252	150-700	10	2.5-45

Power 6.5W  
 Input 36V, 150mA  
 Color Temperature 2700K  
 Lumen 331Lm  
 Cri 90  
 Dimensions Ø: 3.1cm L: 8.4cm H: 5.5cm  
 Beam Angle 30°  
 Cutting Hole Ø: 3.5cm  
 Depth Required JTl: 6cm  
 Material Aluminium  
 Suggested On-Off Driver LS-6-150 for 1 Fixture (pass from the hole)  
 Suggested DALI Driver 4062172151252 for 1 Fixture (remote application)  
 Color White Matt / **Code S137**

Power 6.5W  
 Input 36V, 150mA  
 Color Temperature 2700K  
 Lumen 260Lm  
 Cri 90  
 Dimensions Ø: 1.5cm L: 8.4cm H: 5.5cm  
 Beam Angle 30°  
 Cutting Hole Ø: 3.5cm  
 Depth Required JTl: 6cm  
 Material Aluminium  
 Suggested On-Off Driver LS-6-150 for 1 Fixture (pass from the hole)  
 Suggested DALI Driver 4062172151252 for 1 Fixture (remote application)  
 Color White Matt / **Code S141**

Power 6.5W  
 Input 36V, 150mA  
 Color Temperature 3000K  
 Lumen 361Lm  
 Cri 90  
 Dimensions Ø: 3.1cm L: 8.4cm H: 5.5cm  
 Beam Angle 30°  
 Cutting Hole Ø: 3.5cm  
 Depth Required JTl: 6cm  
 Material Aluminium  
 Suggested On-Off Driver LS-6-150 for 1 Fixture (pass from the hole)  
 Suggested DALI Driver 4062172151252 for 1 Fixture (remote application)  
 Color White Matt / **Code S138**

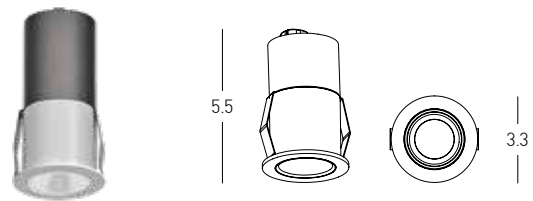
Power 6.5W  
 Input 36V, 150mA  
 Color Temperature 3000K  
 Lumen 282Lm  
 Cri 90  
 Dimensions Ø: 1.5cm L: 8.4cm H: 5.5cm  
 Beam Angle 30°  
 Cutting Hole Ø: 3.5cm  
 Depth Required JTl: 6cm  
 Material Aluminium  
 Suggested On-Off Driver LS-6-150 for 1 Fixture (pass from the hole)  
 Suggested DALI Driver 4062172151252 for 1 Fixture (remote application)  
 Color White Matt / **Code S142**



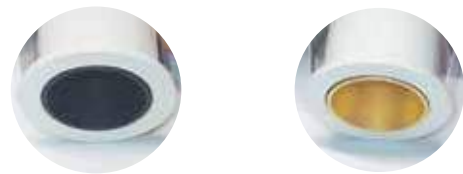
CODE	mA	Watt	V
LS-6-150	150	6	27-40



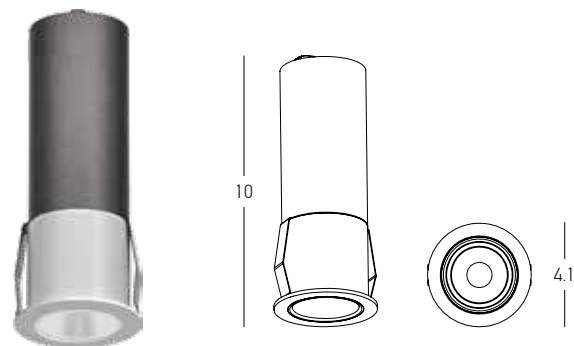
CODE	mA	Watt	V
4062172151252	150-700	10	2.5-45



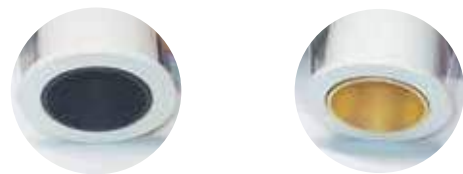
Power 3W  
 Input 3V / 700mA  
 Color Temperature 2700K | 3000K  
 Lumen 176-195Lm  
 Cri 90  
 Dimensions Ø: 3.3cm H: 5.5cm  
 Beam Angle 35°  
 Cutting Hole Ø: 3cm  
 Depth Required  $\Upsilon$ : 5.5cm  
 Material Aluminium  
 Suggested On-Off Driver LS-3-700 for 1 Fixture (pass from the hole)  
 Suggested DALI Driver 4062172151252 for 1 Fixture (remote application)  
 Color 3000K White Matt / **Code S181**  
 Color 2700K White Matt / **Code S182**



Material Aluminium  
 Color Gold / **Code RFL G 181**  
 Color Black Matt / **Code RFL B 181**



Power 7.5W  
 Input 36V / 180mA  
 Color Temperature 2700K | 3000K  
 Lumen 466-517Lm  
 Cri 90  
 Dimensions Ø: 4.1cm H: 10cm  
 Beam Angle 38°  
 Cutting Hole Ø: 3.6cm  
 Depth Required  $\Upsilon$ : 10.5cm  
 Material Aluminium  
 Suggested On-Off Driver D-OT FIT8 for 1 Fixture (pass from the hole)  
 Suggested DALI Driver 4062172151252 for 1 Fixture (remote application)  
 Color 3000K White Matt / **Code S183**  
 Color 2700K White Matt / **Code S184**



Material Aluminium  
 Color Gold / **Code RFL G 185**  
 Color Black Matt / **Code RFL B 185**

**Lens for S183-S184-S185-S186**

Dimensions Ø: 2.6cm  
 Beam Angle 20°  
**Code LNS 20 183**



CODE	mA	Watt	V
D-OT FIT8	80-180	8	30-42

OSRAM



CODE	mA	Watt	V
LS-3-700	700	3	max 10



OSRAM

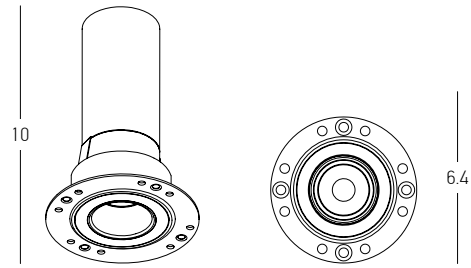
CODE	mA	Watt	V
4062172151252	150-700	10	2.5-45





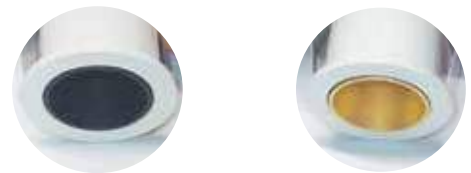


Power 7.5W  
 Input 36V / 180mA  
 Color Temperature 2700K | 3000K  
 Lumen 466-517Lm  
 Cri 90  
 Dimensions Ø: 4.1cm H: 10cm  
 Beam Angle 35°  
 Cutting Hole Ø: 4.4cm  
 Depth Required  $\Upsilon$  : 10.5cm  
 Material Aluminium  
 Suggested On-Off Driver D-OT FIT8 for 1 Fixture (pass from the hole)  
 Suggested DALI Driver 4062172151252 for 1 Fixture (remote application)  
 Color 3000K White Matt / **Code S185**  
 Color 2700K White Matt / **Code S186**



**Lens for S183-S184-S185-S186**

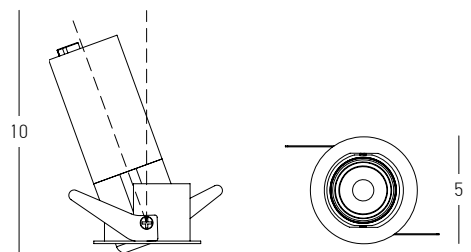
Dimensions Ø: 2.6cm  
 Beam Angle 20°  
**Code LNS 20 183**



Material Aluminium  
 Color Gold / **Code RFL G 185**  
 Color Black Matt / **Code RFL B 185**



Power 7.5W  
 Input 36V / 180mA  
 Color Temperature 2700K | 3000K  
 Lumen 466-517Lm  
 Cri 90  
 Dimensions Ø: 5cm H: 10cm  
 Beam Angle 38°  
 Cutting Hole Ø: 4.6cm  
 Depth Required  $\Upsilon$  : 10.5cm  
 Material Aluminium  
 Suggested On-Off Driver D-OT FIT8 for 1 Fixture (pass from the hole)  
 Suggested DALI Driver 4062172151252 for 1 Fixture (remote application)  
 Special Feature Adjustable  
 Color 3000K White Matt / **Code S187**  
 Color 2700K White Matt / **Code S188**



CODE	mA	Watt	V
D-OT FIT8	80-180	8	30-42

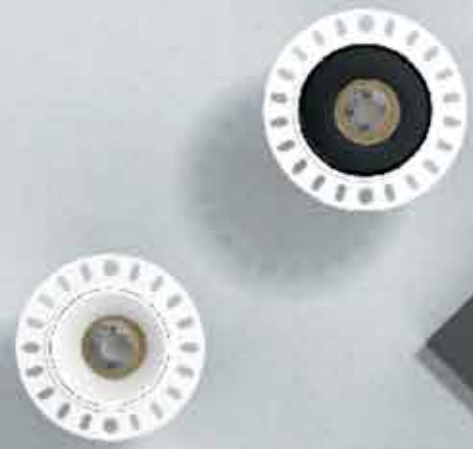


CODE	mA	Watt	V
4062172151252	150-700	10	2.5-45



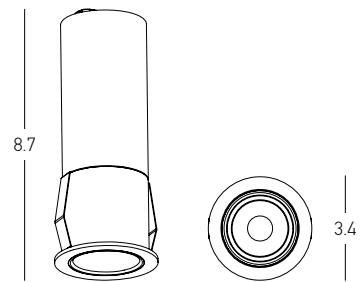
MINI DOWNLIGHT LED SPOTS

MINIMAL LUXURY IN YOUR HANDS



# Modularization Recessed - Trimless LED Spots...

Select your application and colors to create the ultimate style by combining the different models available...



Power 5W  
 Input 3V / 1150mA  
 Color Temperature 3000K  
 Lumen 380Lm  
 Cri 90  
 Dimensions Ø: 3.4cm H: 8.7cm  
 Cutting Hole Ø: 3cm  
 Beam Angle 24°  
 Material Aluminium  
 Depth Required  $\text{JTL}$  : 9.5cm  
 Suggested On-Off Driver D-EG-5 for 1 Fixture (pass from the hole)  
 Suggested DALI Driver LCM-40 for 1-8 Fixture (remote application)  
 Color White Matt / **Code S204**  
 Color Black Matt / **Code S205**



CODE	mA	Watt	V
LCM-40	1050	40	2-40

CODE	mA	Watt	V
D-EG-5	1150	5	2.5 - 3.2



Gold Matt Ring for S204 - S205  
Code RFLG204



Nickel Black Ring for S204 - S205  
Code RFLNB204



Trimless Accessory for S204 - S205  
Code TRMLS204



White Ring for Trimless Application for S204 - S205  
Code S206



Nickel Black Ring for Trimless Application for S204 - S205  
Code S207



Gold Matt Ring for Trimless Application for S204 - S205  
Code S208



Gold Matt Ring for S209 - S210  
Code RFLG209



Nickel Black Ring for S209 - S210  
Code RFLNB209



Trimless Accessory for S209 - S210  
Code TRMLS209



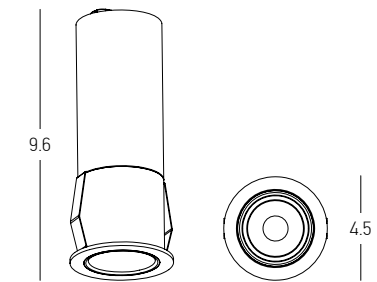
White Ring for Trimless Application for S209 - S210  
Code S211



Nickel Black Ring for Trimless Application for S209 - S210  
Code S212



Gold Matt Ring for Trimless Application for S209 - S210  
Code S213



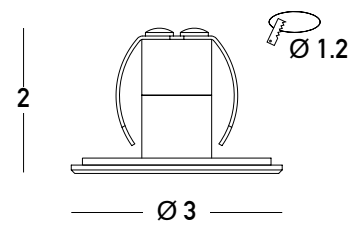
Power 9W  
 Input 36V / 200mA  
 Color Temperature 3000K  
 Lumen 630Lm  
 Cri 90  
 Dimensions Ø: 4.5cm H: 9.6cm  
 Cutting Hole Ø: 4cm  
 Beam Angle 24°  
 Material Aluminium  
 Depth Required  $\text{JTL}$  : 10.5cm  
 Suggested On-Off Driver D-KE-9 for 1 Fixture (remote application)  
 Suggested DALI Driver D-EG-9 for 1 Fixture (remote application)  
 Color White Matt / **Code S209**  
 Color Black Matt / **Code S210**



CODE	mA	Watt	V
D-KE-9	200	9	30-42

CODE	mA	Watt	V
D-EG-9	200	9	5-42

IP44

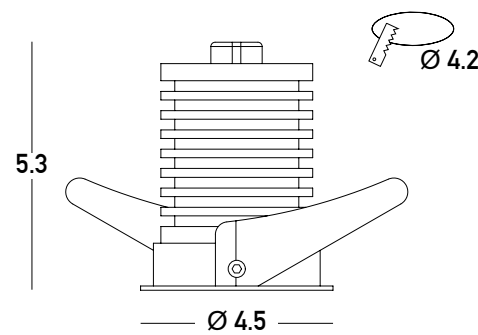


Power 1x 2W  
 Input 3V / 700mA  
 IP 44  
 Color Temperature 3000K  
 Lumen 120Lm  
 Cri 90  
 Dimensions Ø: 3cm H: 2cm  
 Beam Angle 40°  
 Cutting Hole Ø: 1.2cm  
 Material Aluminium  
 Suggested On-Off Driver LS-3-700 for 1 Fixture (remote application)  
 Color Sandy White / **Code S169**  
 Sandy Black / **Code S170**



CODE	mA	Watt	V
LS-3-700	700	3	max 10

IP44



Power 1x 6W COB LED  
 Input 36V / 150mA  
 IP 44  
 Color Temperature 3000K  
 Lumen 420Lm  
 Cri 90  
 Dimensions Ø: 4.5cm H: 5.3cm  
 Beam Angle 38°  
 Cutting Hole Ø: 4.2cm  
 Material Aluminium  
 Suggested On-Off Driver LS-6-150 for 1 Fixture (pass from the hole)  
 Suggested DALI Driver 4062172151252 for 1 Fixture (remote application)

Color Sandy White / **Code S171**

**Reflector for S171**

Dimensions Ø: 2.3cm  
 Beam Angle 18°  
**Code S172**



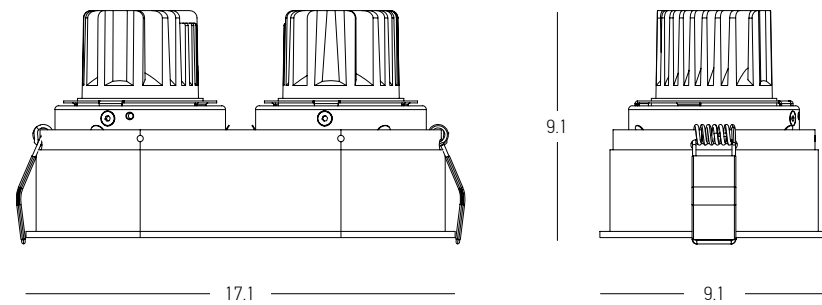
CODE	mA	Watt	V
LS-6-150	150	6	27-40



OSRAM

CODE	mA	Watt	V
4062172151252	150-700	10	2.5-45





Power 2x 10W  
 Input 36V / 250mA  
 IP 44  
 Color Temperature 3000K  
 Lumen 1440Lm  
 Cri 90  
 Dimensions L: 17.1cm W: 9.1cm H: 9.1cm  
 Cutting Hole 8.5 x 16.5cm  
 Beam Angle 38°  
 Material Aluminium  
 Depth Required  $\downarrow$  10cm  
 Suggested On-Off Driver D-iT FIT20 / Parallel Connection  
 Suggested DALI Driver D-DALI20 / Parallel Connection  
 Special Feature Movable  
 Stick Ø: 4.5cm

Color Sandy White / **Code S175**  
 Color Sandy Black / **Code S176**

IP44

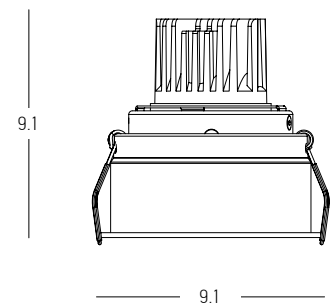


CODE	mA	Watt	V
D-iT FIT20	150-500	20	23-42



CODE	mA	Watt	V
D-DALI20	200-500	20	20-50

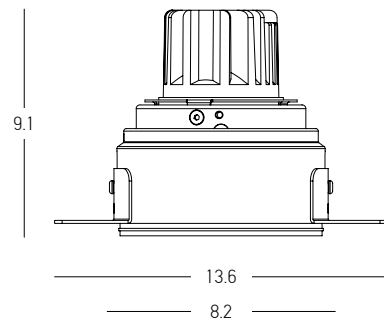




Power 10W  
 Input 36V / 250mA  
 IP 44  
 Color Temperature 3000K  
 Lumen 720Lm  
 Cri 90  
 Dimensions Ø: 9.1cm H: 9.1cm  
 Cutting Hole Ø: 8.5cm  
 Beam Angle 38°  
 Material Aluminium  
 Depth Required  $\downarrow \uparrow$  : 10cm  
 Suggested On-Off Driver D-OT FIT15 (pass from the hole)  
 Suggested DALI Driver 4062172151252 (pass from the hole)  
 Special Feature Movable  
 Stick Ø: 4.5cm



Color Sandy White / **Code S173**  
 Color Sandy Black / **Code S174**



Power 10W  
 Input 36V / 250mA  
 IP 44  
 Color Temperature 3000K  
 Lumen 720Lm  
 Cri 90  
 Dimensions Ø: 8.2cm H: 9.1cm  
 Cutting Hole Ø: 8.3cm  
 Beam Angle 38°  
 Material Aluminium  
 Depth Required  $\downarrow \uparrow$  : 10cm  
 Suggested On-Off Driver D-OT FIT15 (pass from the hole)  
 Suggested DALI Driver 4062172151252 (pass from the hole)  
 Special Feature Movable  
 Stick Ø: 4.5cm



Color Sandy White / **Code S177**  
 Color Sandy Black / **Code S178**



CODE	mA	Watt	V
D-OT FIT15	225-350	15	30-42



CODE	mA	Watt	V
4062172151252	150-700	10	2.5-45

ARCHITECTURAL LIGHTING | DOWNLIGHT RECESSED & TRIMLESS LED SPOTS

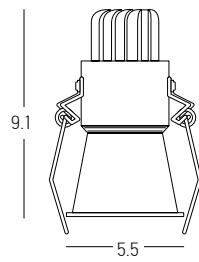


S073

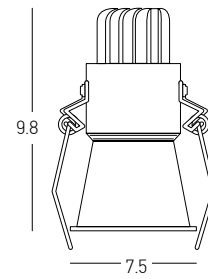
S074



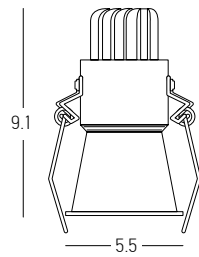
S075



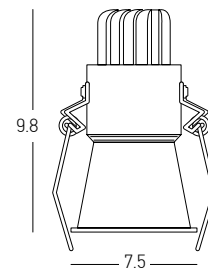
Power 6W  
 Input 220-240V, 50/60Hz  
 Color Temperature 3000K  
 Lumen 377Lm  
 Cri 90  
 Dimensions Ø: 5.5cm H: 9.1cm  
 Cutting Hole Ø: 5.2cm  
 Beam Angle 24°  
 Material Aluminium  
 Depth Required JTL : 9.5cm  
 Driver On-Off Included (160mA)  
 Suggested DALI Driver 4062172151252  
 Color White Matt / **Code S073**



Power 10W  
 Input 220-240V, 50/60Hz  
 Color Temperature 3000K  
 Lumen 731Lm  
 Cri 90  
 Dimensions Ø: 7.5cm H: 9.8cm  
 Cutting Hole Ø: 7.2cm  
 Beam Angle 31°  
 Material Aluminium  
 Depth Required JTL : 10.5cm  
 Driver On-Off Included (250mA)  
 Suggested DALI Driver 4062172151252  
 Color White Matt / **Code S075**



Power 6W  
 Input 220-240V, 50/60Hz  
 Color Temperature 3000K  
 Lumen 377Lm  
 Cri 90  
 Dimensions Ø: 5.5cm H: 9.1cm  
 Cutting Hole Ø: 5.2cm  
 Beam Angle 24°  
 Material Aluminium  
 Depth Required JTL : 9.5cm  
 Driver On-Off Included (160mA)  
 Suggested DALI Driver 4062172151252  
 Color Black Matt / **Code S074**

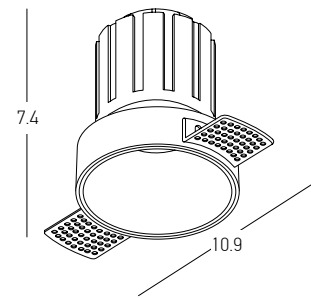


Power 10W  
 Input 220-240V, 50/60Hz  
 Color Temperature 3000K  
 Lumen 731Lm  
 Cri 90  
 Dimensions Ø: 7.5cm H: 9.8cm  
 Cutting Hole Ø: 7.2cm  
 Beam Angle 31°  
 Material Aluminium  
 Depth Required JTL : 10.5cm  
 Driver On-Off Included (250mA)  
 Suggested DALI Driver 4062172151252  
 Color Black Matt / **Code S076**



CODE	mA	Watt	V
4062172151252	150-700	10	2.5-45

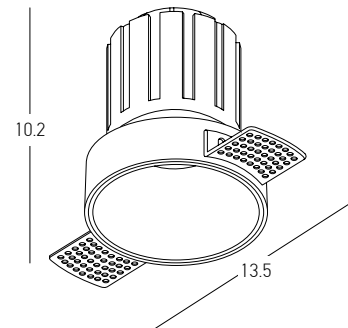




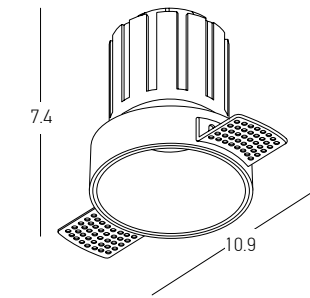
Power 6W  
 Input 220-240V, 50/60Hz  
 Color Temperature 3000K  
 Lumen 450Lm  
 Cri 90  
 Dimensions Ø: 6.2cm W: 10.9cm H: 7.4cm  
 Cutting Hole Ø: 6.2cm  
 Beam Angle 22°  
 Material Aluminium  
 Depth Required  $\text{JTL}$ : 8cm  
 Driver On-Off Included (135mA) (pass from the hole)  
 Suggested DALI Driver 4062172151252 (pass from the hole)  
 Color Sandy White / **Code S095**



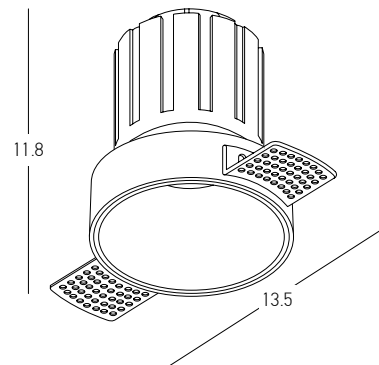
Power 6W  
 Input 220-240V, 50/60Hz  
 Color Temperature 3000K  
 Lumen 450Lm  
 Cri 90  
 Dimensions Ø: 6.2cm W: 10.9cm H: 7.4cm  
 Cutting Hole Ø: 6.2cm  
 Beam Angle 22°  
 Material Aluminium  
 Depth Required  $\text{JTL}$ : 8cm  
 Driver On-Off Included (135mA) (pass from the hole)  
 Suggested DALI Driver 4062172151252 (pass from the hole)  
 Color Sandy Black / **Code S095-B**  
 Color Copper Matt / **Code S095-C**  
 Color Gold Matt / **Code S095-G**



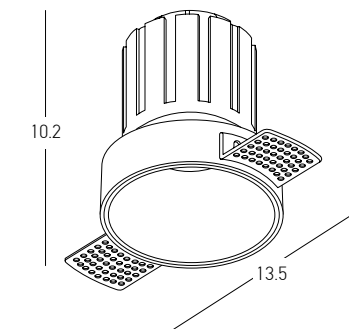
Power 9W  
 Input 220-240V, 50/60Hz  
 Color Temperature 3000K  
 Lumen 675Lm  
 Cri 90  
 Dimensions Ø: 8.2cm W: 13.5cm H: 10.2cm  
 Cutting Hole Ø: 8.2cm  
 Beam Angle 36°  
 Material Aluminium  
 Depth Required  $\text{JTL}$ : 10.5cm  
 Driver On-Off Included (200mA) (pass from the hole)  
 Suggested DALI Driver 4062172151252 (pass from the hole)  
 Color Sandy White / **Code S096**



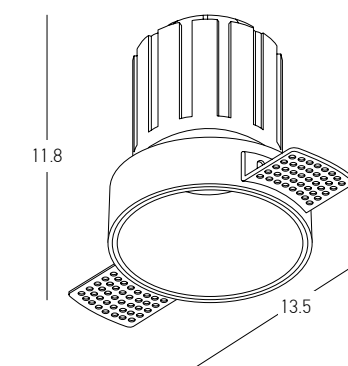
Power 9W  
 Input 220-240V, 50/60Hz  
 Color Temperature 3000K  
 Lumen 675Lm  
 Cri 90  
 Dimensions Ø: 8.2cm W: 13.5cm H: 10.2cm  
 Cutting Hole Ø: 8.2cm  
 Beam Angle 36°  
 Material Aluminium  
 Depth Required  $\text{JTL}$ : 10.5cm  
 Driver On-Off Included (200mA) (pass from the hole)  
 Suggested DALI Driver 4062172151252 (pass from the hole)  
 Color Sandy Black / **Code S096-B**  
 Color Copper Matt / **Code S096-C**  
 Color Gold Matt / **Code S096-G**



Power 15W  
 Input 220-240V, 50/60Hz  
 Color Temperature 3000K  
 Lumen 1125Lm  
 Cri 90  
 Dimensions Ø: 8.2cm W: 13.5cm H: 11.8cm  
 Cutting Hole Ø: 8.2cm  
 Beam Angle 36°  
 Material Aluminium  
 Depth Required  $\text{JTL}$ : 12cm  
 Driver On-Off Included (350mA) (pass from the hole)  
 Suggested DALI Driver 4052899548190 (pass from the hole)  
 Color Sandy White / **Code S097**



Power 15W  
 Input 220-240V, 50/60Hz  
 Color Temperature 3000K  
 Lumen 1125Lm  
 Cri 90  
 Dimensions Ø: 8.2cm W: 13.5cm H: 11.8cm  
 Cutting Hole Ø: 8.2cm  
 Beam Angle 36°  
 Material Aluminium  
 Depth Required  $\text{JTL}$ : 12cm  
 Driver On-Off Included (350mA) (pass from the hole)  
 Suggested DALI Driver 4052899548190 (pass from the hole)  
 Color Sandy Black / **Code S097-B**  
 Color Copper Matt / **Code S097-C**  
 Color Gold Matt / **Code S097-G**

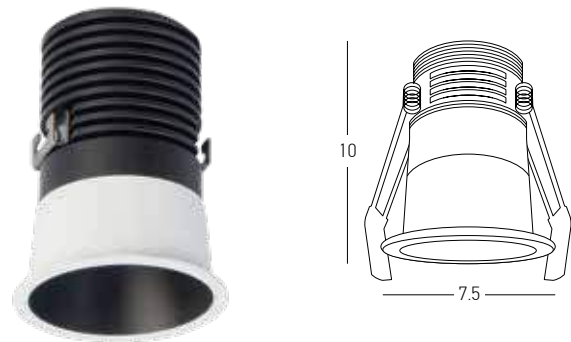


CODE	mA	Watt	V
4052899548190	150-1050	15	7.5-54

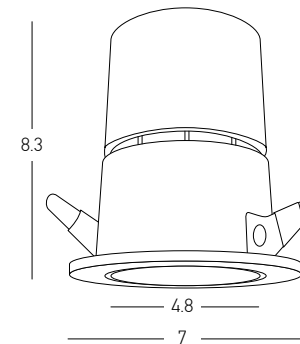


CODE	mA	Watt	V
4062172151252	150-700	10	2.5-45

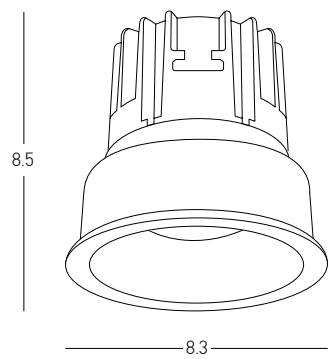




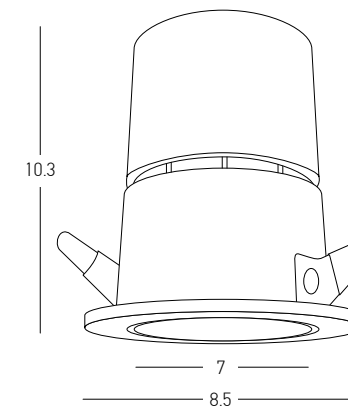
Power 15W  
 Input 220-240V, 50/60Hz  
 Color Temperature 3000K  
 Lumen 1050Lm  
 Cri 90  
 Dimensions Ø: 7.5cm H: 10cm  
 Cutting Hole Ø: 6.8cm  
 Beam Angle 38°  
 Material Aluminium  
 Depth Required JT: 11cm  
 Driver On-Off Included (350mA)  
 Suggested DALI Driver 4052899548190 for 1 Fixture (pass from the hole)  
 Color White Matt - Black Matt / **Code S094**



Power 10W  
 Input 220-240V, 50/60Hz  
 Color Temperature 3000K  
 Lumen 750Lm  
 Cri 90  
 Dimensions Ø: 7cm H: 8.3cm  
 Cutting Hole Ø: 6cm  
 Beam Angle 38°  
 Non Dimmable   
 Material Aluminium  
 Depth Required JT: 9cm  
 Driver Included (250mA)  
 Color White Matt - Black Matt Reflector / **Code S070**



Power 13W  
 Input 220-240V, 50/60Hz  
 Color Temperature 3000K  
 Lumen 910Lm  
 Cri 90  
 Dimensions Ø: 8.3cm H: 8.5cm  
 Cutting Hole Ø: 7.6cm  
 Beam Angle 32°  
 Material Aluminium  
 Depth Required JT: 9cm  
 Driver On-Off Included (300mA)  
 Suggested DALI Driver 4052899548190 for 1 Fixture (pass from the hole)  
 Color Black Matt / **Code S078**  
 White Matt / **Code S077**



Power 15W  
 Input 220-240V, 50/60Hz  
 Color Temperature 3000K  
 Lumen 1125Lm  
 Cri 90  
 Dimensions Ø: 8.5cm H: 10.3cm  
 Cutting Hole Ø: 7.8cm  
 Beam Angle 30°  
 Non Dimmable   
 Material Aluminium  
 Depth Required JT: 11cm  
 Driver Included (350mA)  
 Color White Matt - Black Matt Reflector / **Code S071**

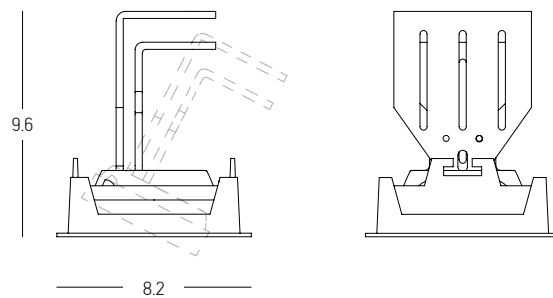


CODE	mA	Watt	V
4052899548190	150-1050	15	7.5-54

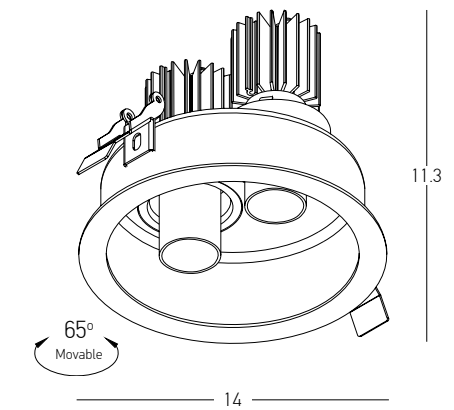




Power 9W  
 Input 220-240V, 50/60Hz  
 Color Temperature 3000K  
 Lumen 645Lm  
 Cri 90  
 Dimensions L: 8.2cm W: 8.2cm H: 9.6cm  
 Beam Angle 36°  
 Cutting Hole L: 7.5cm W: 7.5cm  
 Material Aluminium  
 Special Feature Adjustable  
 Included LED Driver  
 Color Sandy Black / **Code S146**



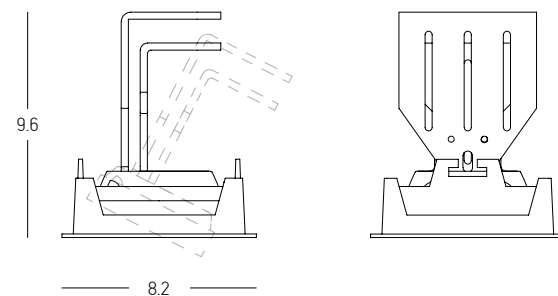
Power 9W  
 Input 220-240V, 50/60Hz  
 Color Temperature 2700K  
 Lumen 596Lm  
 Cri 90  
 Dimensions L: 8.2cm W: 8.2cm H: 9.6cm  
 Beam Angle 36°  
 Cutting Hole L: 7.5cm W: 7.5cm  
 Material Aluminium  
 Special Feature Adjustable  
 Included LED Driver  
 Color Sandy Black / **Code S145**



Power 2x 9W  
 Input 220-240V, 50/60Hz  
 Color Temperature 3000K  
 Lumen 1620Lm  
 Cri 80  
 Dimensions Ø: 14cm H: 11.3cm  
 Beam Angle 18°  
 Cutting Hole Ø: 12.8cm  
 Material Aluminium  
 Special Feature Movable  
 Included LED Driver  
 Color Sandy Black / **Code 1926**  
 Color Sandy White / **Code 1927**



Power 9W  
 Input 220-240V, 50/60Hz  
 Color Temperature 3000K  
 Lumen 645Lm  
 Cri 90  
 Dimensions Ø: 8.2cm H: 9.6cm  
 Beam Angle 36°  
 Cutting Hole Ø: 7.5cm  
 Material Aluminium  
 Special Feature Adjustable  
 Included LED Driver  
 Color Sandy White / **Code S144**



Power 9W  
 Input 220-240V, 50/60Hz  
 Color Temperature 2700K  
 Lumen 596Lm  
 Cri 90  
 Dimensions Ø: 8.2cm H: 9.6cm  
 Beam Angle 36°  
 Cutting Hole Ø: 7.5cm  
 Material Aluminium  
 Special Feature Adjustable  
 Included LED Driver  
 Color Sandy White / **Code S143**

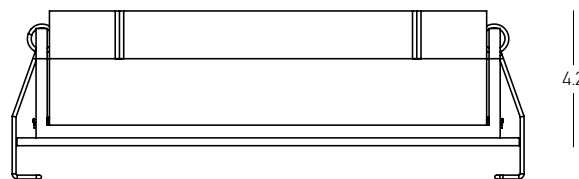
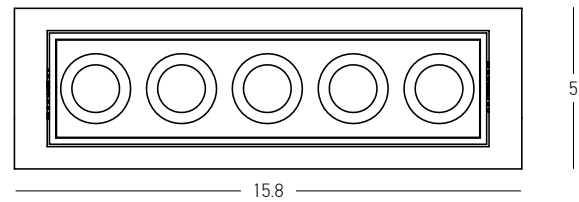
Power 1x 7W COB LED  
 Input 20V / 350mA  
 Color Temperature 2700K  
 Lumen 630Lm  
 Cri 80  
 Dimensions Ø: 5cm H: 8.7cm  
 Cutting Hole Ø: 4.5cm  
 Beam Angle 24°  
 Material Aluminium  
 Suggested Driver LSCW350P for 1 Fixture  
 Color Sandy White / **Code 180013**

Power 1x 5W COB LED  
 Input 8.5V / 500mA  
 Color Temperature 3000K  
 Lumen 580Lm  
 Cri 80  
 Dimensions Ø: 3.5cm H: 6.1cm  
 Cutting Hole Ø: 3.5cm  
 Beam Angle 36°  
 Material Aluminium  
 Suggested Driver LSCW500P for 1 Fixture  
 Color Sandy White / **Code Z10103 BTR-W**

Power 1x 5W COB LED  
 Input 8.5V / 500mA  
 Color Temperature 3000K  
 Lumen 580Lm  
 Cri 80  
 Dimensions Ø: 3.5cm H: 6.1cm  
 Cutting Hole Ø: 3.5cm  
 Beam Angle 36°  
 Material Aluminium  
 Suggested Driver LSCW500P for 1 Fixture  
 Color Sandy White - Black / **Code Z10103 BTR-B**



ARCHITECTURAL LIGHTING | DOWNLIGHT RECESSED & TRIMLESS LED SPOTS



Power 12W  
 Input 15V / 700mA  
 Color Temperature 3000K  
 Lumen 800Lm  
 Cri 90  
 Dimensions L: 15.8cm W: 5cm H: 4.2cm  
 Cutting Hole L: 15cm W: 4.5cm  
 Beam Angle 36°  
 Material Aluminium  
 Depth Required  $\nabla$ : 5cm  
 Suggested On-Off Driver KEDH012 for 1 Fixture (pass from the hole)  
 Suggested DALI Driver 4052899548190 for 1 Fixture (pass from the hole)  
 Special Feature Adjustable  
 Color Sandy White / **Code S195**  
 Color Sandy Black / **Code S196**

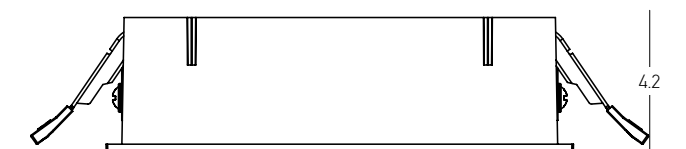
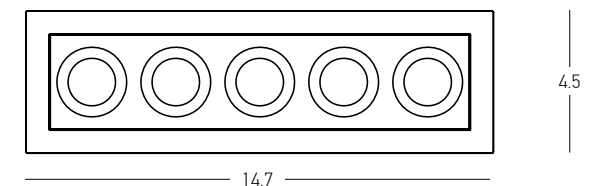


CODE	mA	Watt	V
KEDH012	700	12	9-18



CODE	mA	Watt	V
4052899548190	150-1050	15	7.5-54

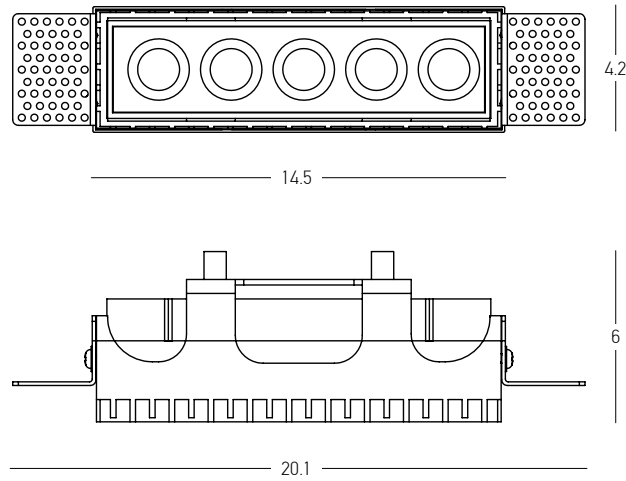
OSRAM



Power 12W  
 Input 15V / 700mA  
 Color Temperature 3000K  
 Lumen 800Lm  
 Cri 90  
 Dimensions L: 14.7cm W: 4.5cm H: 4.2cm  
 Cutting Hole L: 14.2cm W: 3.7cm  
 Beam Angle 36°  
 Material Aluminium  
 Depth Required  $\nabla$ : 5cm  
 Suggested On-Off Driver KEDH012 for 1 Fixture (pass from the hole)  
 Suggested DALI Driver 4052899548190 for 1 Fixture (pass from the hole)  
 Color Sandy White / **Code S191**  
 Color Sandy Black / **Code S192**



ARCHITECTURAL LIGHTING | DOWNLIGHT RECESSED & TRIMLESS LED SPOTS



Power 12W  
 Input 15V / 700mA  
 Color Temperature 3000K  
 Lumen 800Lm  
 Cri 90  
 Dimensions L: 14.5cm W: 4.2cm H: 6cm  
 Cutting Hole L: 14.7cm W: 4.3cm  
 Beam Angle 36°  
 Material Aluminium  
 Depth Required  $\text{JTL}$  : 6.5cm  
 Suggested On-Off Driver KEDH012 for 1 Fixture (pass from the hole)  
 Suggested DALI Driver 4052899548190 for 1 Fixture (pass from the hole)  
 Color Sandy White / **Code S193**  
 Color Sandy Black / **Code S194**

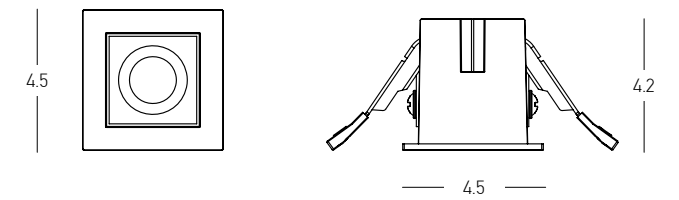


CODE	mA	Watt	V
KEDH012	700	12	9-18



CODE	mA	Watt	V
4052899548190	150-1050	15	7.5-54

OSRAM



Power 3W  
 Input 3V / 700mA  
 Color Temperature 3000K  
 Lumen 180Lm  
 Cri 90  
 Dimensions L: 4.5cm W: 4.5cm H: 4.2cm  
 Cutting Hole L: 4.2cm W: 3.7cm  
 Beam Angle 36°  
 Material Aluminium  
 Depth Required  $\text{JTL}$  : 6cm  
 Suggested On-Off Driver LS-3-700 for 1 Fixture (pass from the hole)  
 Suggested DALI Driver 4062172151252 for 1 Fixture (pass from the hole)  
 Color Sandy Black / **Code S190**  
 Color Sandy White / **Code S189**

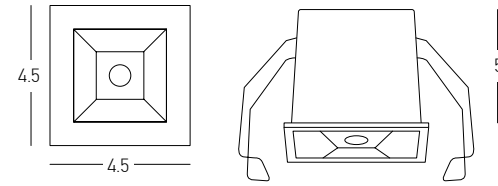


CODE	mA	Watt	V
LS-3-700	700	3	max 10

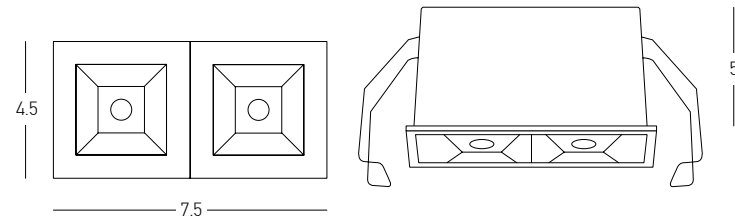


CODE	mA	Watt	V
4062172151252	150-700	10	2.5-45

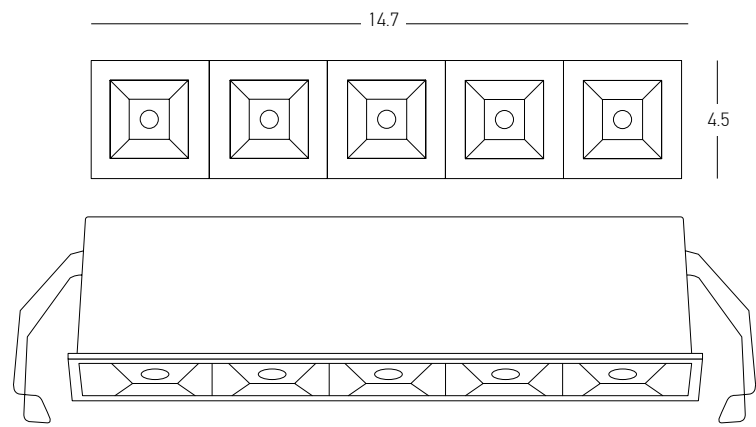
OSRAM



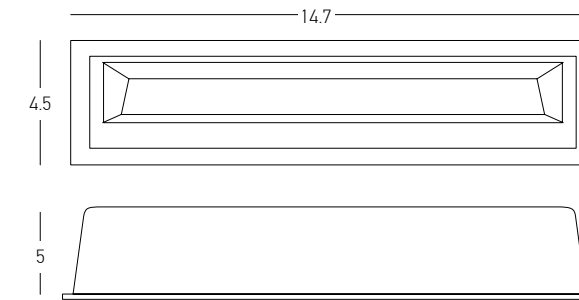
Power 3W  
 Input 220-240V, 50/60Hz  
 Color Temperature 3000K  
 Lumen 150Lm  
 Cri 90  
 Dimensions L: 4.5cm W: 4.5cm H: 5cm  
 Cutting Hole 3.5 x 3.5cm  
 Beam Angle 30°  
 Non Dimmable ☒  
 Material Aluminium  
 Depth Required JT: 5.5cm  
 Driver Included (700mA)  
 Color Sandy White - Black / **Code S084**



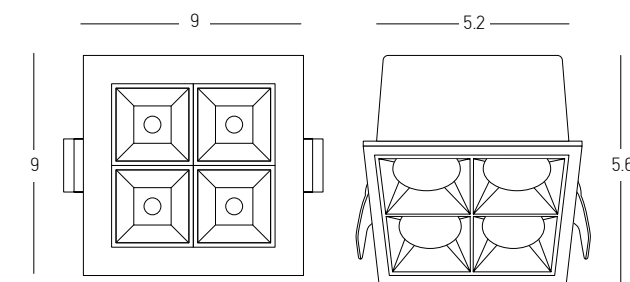
Power 5W  
 Input 220-240V, 50/60Hz  
 Color Temperature 3000K  
 Lumen 350Lm  
 Cri 90  
 Dimensions L: 7.5cm W: 4.5cm H: 5cm  
 Cutting Hole 6.5 x 3.5cm  
 Beam Angle 30°  
 Non Dimmable ☒  
 Material Aluminium  
 Depth Required JT: 5.5cm  
 Driver Included (350mA)  
 Color Sandy White - Black / **Code S085**



Power 11W  
 Input 220-240V, 50/60Hz  
 Color Temperature 3000K  
 Lumen 770Lm  
 Cri 90  
 Dimensions L: 14.7cm W: 4.5cm H: 5cm  
 Cutting Hole 13.5 x 3.5cm  
 Beam Angle 30°  
 Non Dimmable ☒  
 Material Aluminium  
 Depth Required JT: 5.5cm  
 Driver Included (600mA)  
 Color Sandy White - Black / **Code S086**



**Wall Washer**  
 Power 12W  
 Input 220-240V, 50/60Hz  
 Color Temperature 3000K  
 Lumen 388Lm  
 Cri 90  
 IP 54  
 Dimensions L: 14.7cm W: 4.5cm H: 5cm  
 Cutting Hole 14 x 3.5cm  
 Beam Angle 20°  
 Non Dimmable ☒  
 Material Aluminium  
 Depth Required JT: 5.5cm  
 Driver Included (600mA)  
 Color White Matt / **Code S087**

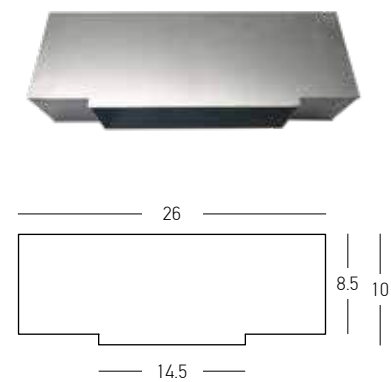
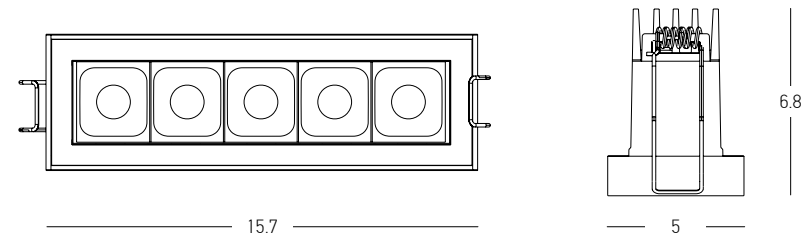


Power 12W  
 Input 220-240V, 50/60Hz  
 Color Temperature 3000K  
 Lumen 950Lm  
 Cri 90  
 Dimensions L: 9cm W: 9cm H: 5.6cm  
 Cutting Hole 8 x 8cm  
 Beam Angle 24°  
 Non Dimmable ☒  
 Material Aluminium  
 Depth Required JT: 6cm  
 Driver Included (350mA)  
 Color Sandy White / **Code S102**

WATERPROOF DOWNLIGHT SPOTS | p.202-209



Power 12W  
 Input 220-240V, 50/60Hz  
 Color Temperature 3000K  
 Lumen 757Lm  
 Cri 90  
 IP 65  
 Dimensions L: 15.7cm W: 5cm H: 6.8cm  
 Cutting Hole 14.2 x 3.5cm  
 Beam Angle 40°  
 Non Dimmable ☒  
 Material Stainless Steel - Aluminium - Tempered Glass  
 Depth Required 111: 6cm  
 Driver Included (700mA)  
 Color Sandy Black / **Code E332**  
 Sandy White / **Code E333**

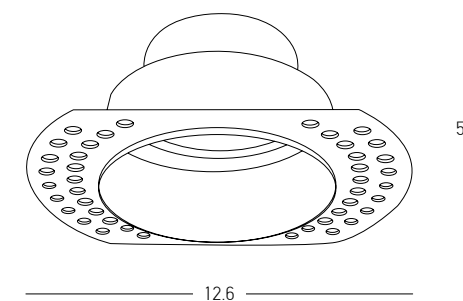


**Recessed Box for Concrete Application (for E332-E333)**

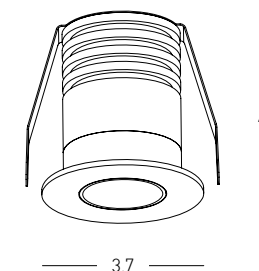
Dimensions L: 26cm W: 4.3cm H: 10cm  
 Material Galvanized Steel  
 Hole 14.5cm x 4cm  
 Color Natural / **Code E333-4-BOX**



Bulb 1x GU10  
 Power 50W MAX  
 Input 220-240V, 50/60Hz  
 IP 65  
 Dimensions L: 12.6cm W: 9.4cm H: 5.5cm  
 Cutting Hole Ø: 8cm  
 Material Metal - Glass  
 Depth Required 111: 10cm  
 Special Feature GU10 Lampholder Included  
 Color Sandy Black / **Code S162**



Power 2W  
 Input 3V / 500mA  
 Color Temperature 3000K  
 Lumen 138Lm  
 Cri 80  
 IP 65  
 Dimensions Ø: 3.7cm H: 4.1cm  
 Beam Angle 24°  
 Cutting Hole Ø: 3.2cm  
 Material Aluminium  
 Depth Required 111: 5cm  
 Suggested On-Off Driver D-iT FIT7 for 1 Fixture (remote application)  
 Suggested DALI Driver 4062172151252 for 1-5 Fixtures (remote application)



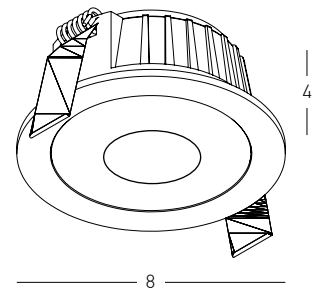
Color Sandy White / **Code 180016**



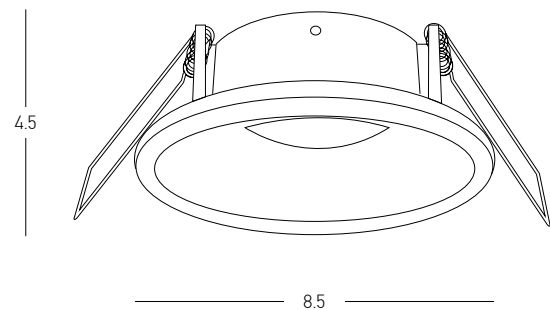
CODE	mA	Watt	V
D-iT FIT7	350-700	7	2.5-11



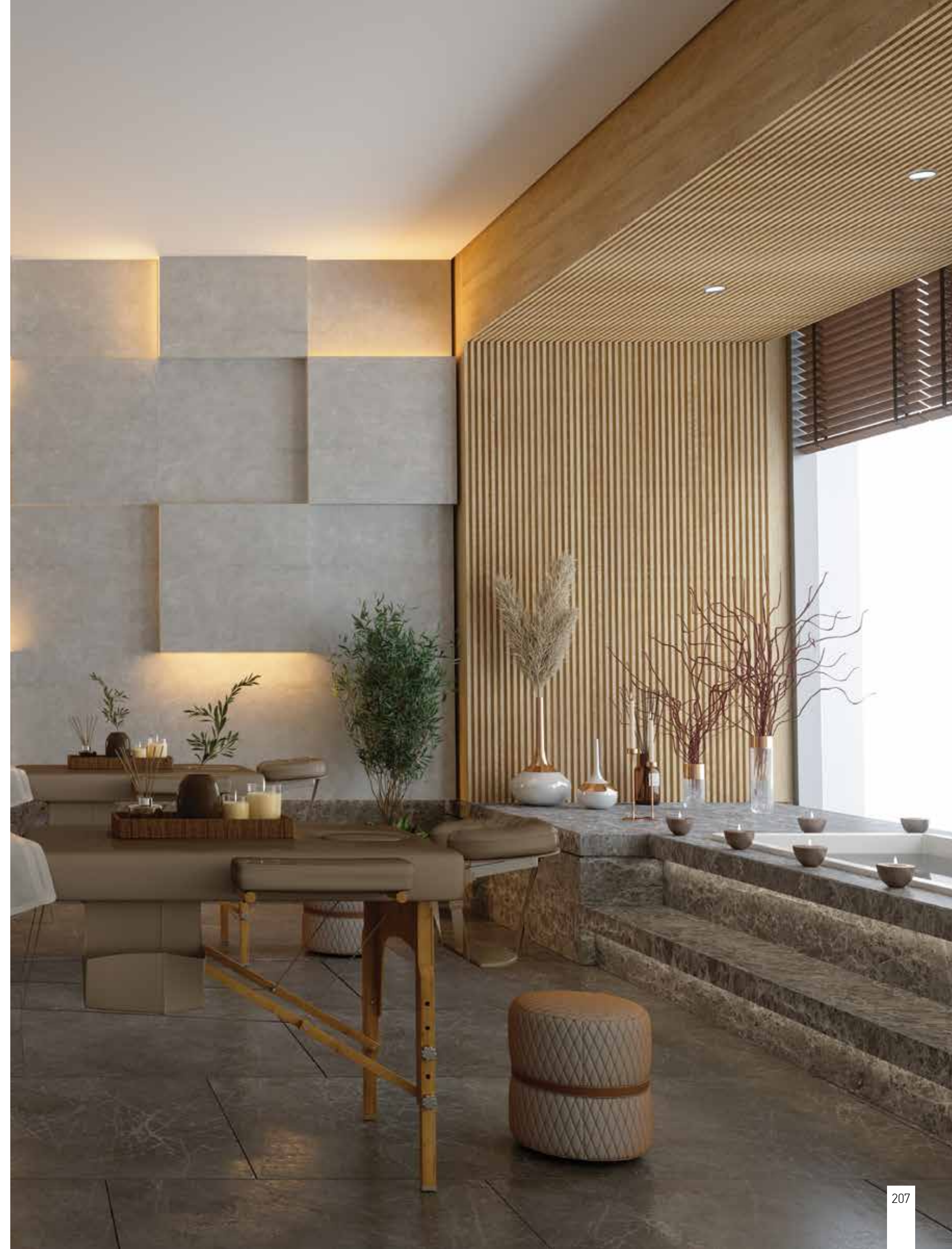
CODE	mA	Watt	V
4062172151252	150-700	10	2.5-45



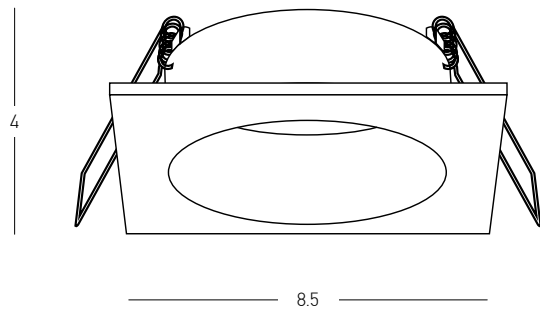
Power 6W  
 Input 220-240V, 50/60Hz  
 Color Temperature 3000K  
 Lumen 440Lm  
 Cri 90  
 IP 54  
 Dimensions Ø: 8cm H: 4cm  
 Cutting Hole Ø: 7.3cm  
 Beam Angle 20°  
 Non Dimmable   
 Material Aluminium - Glass  
 Depth Required  $\downarrow$ : 4.5cm  
 Driver Included  
 Color Black Matt / **Code S110**  
 Color White Matt / **Code S111**



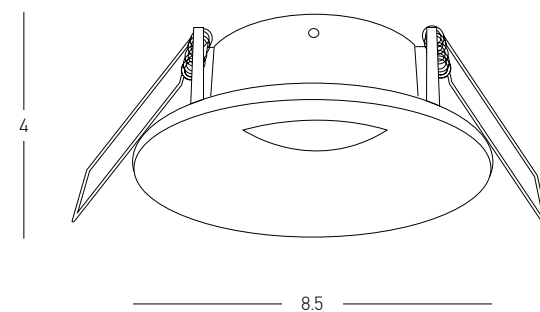
Bulb 1x GU10  
 Power 50W MAX  
 Input 220-240V, 50/60Hz  
 IP 65  
 Dimensions Ø: 8.5cm H: 4.5cm  
 Cutting Hole Ø: 7.5cm  
 Material Aluminium  
 Depth Required  $\downarrow$ : 10.5cm  
 Special Feature GU10 Lampholder Included  
 Color Black Matt / **Code S046**  
 Color White Matt / **Code S045**







Bulb 1x GU10  
 Power 50W MAX  
 Input 220-240V, 50/60Hz  
 IP 65  
 Dimensions L: 8.5cm W: 8.5cm H: 4cm  
 Cutting Hole Ø: 6.8cm  
 Material Aluminium  
 Depth Required  $\Upsilon$ : 8.3cm  
 Special Feature GU10 Lampholder Included  
 Color Sandy White / **Code S165**  
 Color Sandy Black / **Code S166**



Bulb 1x GU10  
 Power 50W MAX  
 Input 220-240V, 50/60Hz  
 IP 65  
 Dimensions Ø: 8.5cm H: 4cm  
 Cutting Hole Ø: 6.8cm  
 Material Aluminium  
 Depth Required  $\Upsilon$ : 8.3cm  
 Special Feature GU10 Lampholder Included  
 Color Sandy White / **Code S167**  
 Color Sandy Black / **Code S168**



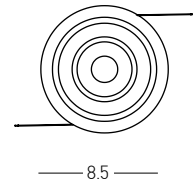
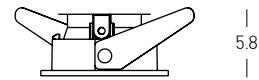
DOWNLIGHT RECESSED SPOTS GU10 | p.210-223



**Modularization...**

Select Adjustable or Non Adjustable Spots and create the ultimate style by combining the different models available.

**Adjustable Models...**



Bulb 1x GU10 LED  
 Power 10W MAX  
 Input 220-240V, 50/60Hz  
 Dimensions Ø: 8.5cm H: 5.8cm  
 Cutting Hole Ø: 7.4cm  
 Material Aluminium - Plastic  
 Depth Required ITL : 10.5cm  
 Special Feature GU10 Lampholder Not Included  
 Suggested Lamp COIN 50 (page 278) **OSRAM**  
 Color Sandy White - Black Chrome / **Code S125**



**Reflector  
 Black Matt  
 Code RFL125-BL**



**Reflector  
 Gold  
 Code RFL125-G**



**Reflector  
 White Matt  
 Code RFL125-WH**



**Cover  
 White Sandy  
 Code S129**



**Honey Comb  
 Code HNCMB**



**Reflector  
 Black Matt  
 Code RFL126-BL**



**Reflector  
 Gold  
 Code RFL126-G**



**Reflector  
 White Matt  
 Code RFL126-WH**

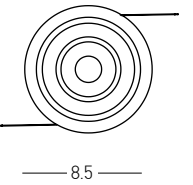
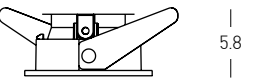


**Cover  
 White Sandy  
 Code S130**

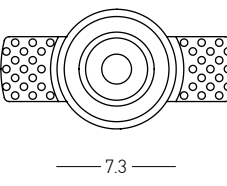
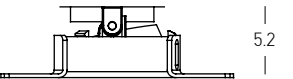


**Honey Comb  
 Code HNCMB**

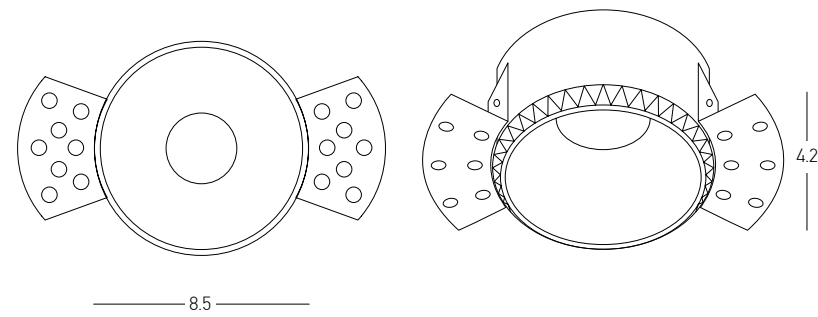
**Non Adjustable Models...**



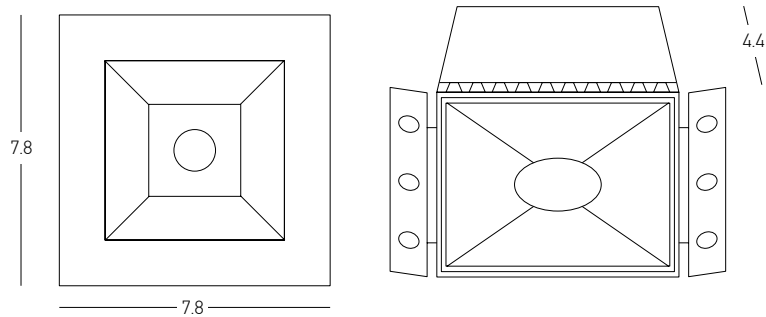
Bulb 1x GU10 LED  
 Power 10W MAX  
 Input 220-240V, 50/60Hz  
 Dimensions Ø: 8.5cm H: 5.8cm  
 Cutting Hole Ø: 7.4cm  
 Material Aluminium - Plastic  
 Depth Required ITL : 10.5cm  
 Special Feature GU10 Lampholder Not Included  
 Suggested Lamp COIN 50 (page 278) **OSRAM**  
 Color Sandy White - Black Chrome / **Code S126**



Bulb 1x GU10 LED  
 Power 10W MAX  
 Input 220-240V, 50/60Hz  
 Dimensions Ø: 7.3cm H: 5.2cm  
 Cutting Hole Ø: 7.4cm  
 Material Aluminium - Plastic  
 Depth Required ITL : 10.5cm  
 Special Feature GU10 Lampholder Not Included  
 Suggested Lamp COIN 50 (page 278) **OSRAM**  
 Color Sandy White - Black Chrome / **Code S128**



Bulb 1x GU10 LED  
 Power 10W MAX  
 Input 220-240V, 50/60Hz  
 Dimensions Ø: 8.5cm H: 4.2cm  
 Cutting Hole Ø: 8.5cm  
 Material Aluminium - Plastic Reflector  
 Depth Required  $\square$  : 10cm  
 Special Feature GU10 Lampholder Not Included  
 Suggested Lamp COIN 50 (page 278) **OSRAM**  
 Color Sandy White - Black Reflector / **Code S089**  
 Color Sandy White - White Reflector/ **Code S088**



Bulb 1x GU10 LED  
 Power 10W MAX  
 Input 220-240V, 50/60Hz  
 Dimensions L: 7.8cm W: 7.8cm H: 4.4cm  
 Cutting Hole 7.9 x 7.9cm  
 Material Aluminium  
 Depth Required  $\square$  : 10cm  
 Special Feature GU10 Lampholder Not Included  
 Suggested Lamp COIN 50 (page 278) **OSRAM**  
 Color Sandy White - Black Reflector / **Code S091**  
 Color Sandy White - White Reflector/ **Code S090**



Bulb 1x GU10  
 Power 50W MAX  
 Input 220-240V, 50/60Hz  
 Dimensions Ø: 6.8cm H: 5.7cm  
 Cutting Hole Ø: 6.2cm  
 Material Aluminium  
 Depth Required JT: 10cm  
 Special Feature GU10 Lampholder Included  
 Color Sandy White - Black / **Code Z10105-D9**

Bulb 1x GU10  
 Power 50W MAX  
 Input 220-240V, 50/60Hz  
 Dimensions Ø: 6.9cm H: 4.9cm  
 Cutting Hole Ø: 6.4cm  
 Material Aluminium  
 Depth Required JT: 13cm  
 Special Feature GU10 Lampholder Included  
 Color Sandy White - Black / **Code Z10105-AD**

Bulb 1x GU10  
 Power 40W MAX  
 Input 220-240V, 50/60Hz  
 Dimensions Ø: 9.3cm H: 4.6cm  
 Cutting Hole Ø: 8.3cm  
 Material Aluminium  
 Depth Required JT: 10cm  
 Special Feature GU10 Lampholder Included Movable  
 Color Sandy Black / **Code S149**

Bulb 1x GU10  
 Power 40W MAX  
 Input 220-240V, 50/60Hz  
 Dimensions Ø: 9.3cm H: 4.6cm  
 Cutting Hole Ø: 8.3cm  
 Material Aluminium  
 Depth Required JT: 10cm  
 Special Feature GU10 Lampholder Included Movable  
 Color Sandy White / **Code S148**



Bulb 1x GU10  
 Power 50W MAX  
 Input 220-240V, 50/60Hz  
 Dimensions Ø: 12cm H: 11cm  
 Cutting Hole Ø: 8.2cm  
 Material Aluminium  
 Depth Required JT: 11cm  
 Special Feature GU10 Lampholder Included Movable  
 Color Black / **Code Z11105 TR-B**

Bulb 1x GU10  
 Power 50W MAX  
 Input 220-240V, 50/60Hz  
 Dimensions Ø: 12cm H: 11cm  
 Cutting Hole Ø: 8.2cm  
 Material Aluminium  
 Depth Required JT: 11cm  
 Special Feature GU10 Lampholder Included Movable  
 Color White / **Code Z11105 TR-W**

Bulb 1x GU10  
 Power 50W MAX  
 Input 220-240V, 50/60Hz  
 Dimensions Ø: 6cm H: 4cm  
 Cutting Hole Ø: 6cm  
 Material Aluminium  
 Depth Required JT: 12cm  
 Special Feature GU10 Lampholder Included  
 Color Black / **Code Z10105 TR-B**

Bulb 1x GU10  
 Power 50W MAX  
 Input 220-240V, 50/60Hz  
 Dimensions Ø: 6cm H: 4cm  
 Cutting Hole Ø: 6cm  
 Material Aluminium  
 Depth Required JT: 12cm  
 Special Feature GU10 Lampholder Included  
 Color White / **Code Z10105 TR-W**



Bulb 1x GU10  
 Power 40W MAX  
 Input 220-240V, 50/60Hz  
 Dimensions Ø: 7.4cm H: 5cm  
 Cutting Hole Ø: 6.8cm  
 Material Aluminium  
 Depth Required JT: 11cm  
 Special Feature GU10 Lampholder Included Adjustable 30°  
 Color Sandy White / **Code S164**



Bulb 1x GU10  
 Power 50W MAX  
 Input 220-240V, 50/60Hz  
 Dimensions Ø: 9cm H: 4cm  
 Cutting Hole Ø: 8cm  
 Material Aluminium  
 Depth Required JT: 10cm  
 Special Feature GU10 Lampholder Included Movable  
 Color White - Black / **Code S060**



Bulb 1x GU10  
 Power 50W MAX  
 Input 220-240V, 50/60Hz  
 Dimensions L: 8.4cm W: 8.4cm H: 4cm  
 Cutting Hole Ø: 7.6cm  
 Material Aluminium  
 Depth Required JT: 10cm  
 Special Feature GU10 Lampholder Included Movable  
 Color White - Black / **Code S061**



Bulb 1x GU10  
 Power 40W MAX  
 Input 220-240V, 50/60Hz  
 Dimensions Ø: 8.5cm H: 6.5cm  
 Cutting Hole Ø: 7.7cm  
 Material Aluminium  
 Depth Required JT: 10cm  
 Special Feature GU10 Lampholder Included Adjustable 360°  
 Color Sandy White / **Code S150**



Bulb 1x GU10  
 Power 40W MAX  
 Input 220-240V, 50/60Hz  
 Dimensions Ø: 7.4cm H: 3.1cm  
 Cutting Hole Ø: 7cm  
 Material Aluminium  
 Depth Required JT: 8.5cm  
 Special Feature GU10 Lampholder Included  
 Color Sandy White / **Code S163**



Bulb 1x GU10  
 Power 50W MAX  
 Input 220-240V, 50/60Hz  
 Dimensions Ø: 10cm H: 4cm  
 Cutting Hole Ø: 9.2cm  
 Material Aluminium  
 Depth Required JT: 9.5cm  
 Special Feature GU10 Lampholder Included Movable  
 Color White / **Code S019**



Bulb 1x GU10  
 Power 50W MAX  
 Input 220-240V, 50/60Hz  
 Dimensions Ø: 10cm H: 4cm  
 Cutting Hole Ø: 9.2cm  
 Material Aluminium  
 Depth Required JT: 9.5cm  
 Special Feature GU10 Lampholder Included Movable  
 Color White - Black / **Code S020**



Bulb 1x GU10  
 Power 50W MAX  
 Input 220-240V, 50/60Hz  
 Dimensions Ø: 8.6cm H: 4cm  
 Cutting Hole Ø: 7.5cm  
 Material Aluminium  
 Depth Required JT: 9cm  
 Special Feature GU10 Lampholder Included  
 Movable  
 Color White / **Code S012**



Bulb 1x GU10  
 Power 50W MAX  
 Input 220-240V, 50/60Hz  
 Dimensions Ø: 8.6cm H: 4cm  
 Cutting Hole Ø: 7.5cm  
 Material Aluminium  
 Depth Required JT: 9cm  
 Special Feature GU10 Lampholder Included  
 Movable  
 Color Black / **Code S011**



Bulb 1x GU10  
 Power 50W MAX  
 Input 220-240V, 50/60Hz  
 Dimensions Ø: 8.3cm H: 5.5cm  
 Cutting Hole Ø: 7.5cm  
 Material Aluminium  
 Depth Required JT: 10.5cm  
 Special Feature GU10 Lampholder Included  
 Color White / **Code S008**



Bulb 1x GU10  
 Power 50W MAX  
 Input 220-240V, 50/60Hz  
 Dimensions Ø: 8.3cm H: 5.5cm  
 Cutting Hole Ø: 7.5cm  
 Material Aluminium  
 Depth Required JT: 10.5cm  
 Special Feature GU10 Lampholder Included  
 Color Black / **Code S007**



Bulb 1x GU10  
 Power 50W MAX  
 Input 220-240V, 50/60Hz  
 Dimensions L: 8.8cm W: 8.8cm H: 7.8cm  
 Cutting Hole L: 7.5cm W: 7.5cm  
 Material Aluminium  
 Depth Required JT: 13.5cm  
 Special Feature GU10 Lampholder Included  
 Color White / **Code S010**



Bulb 1x GU10  
 Power 50W MAX  
 Input 220-240V, 50/60Hz  
 Dimensions L: 8.8cm W: 8.8cm H: 7.8cm  
 Cutting Hole L: 7.5cm W: 7.5cm  
 Material Aluminium  
 Depth Required JT: 13.5cm  
 Special Feature GU10 Lampholder Included  
 Color Black / **Code S009**

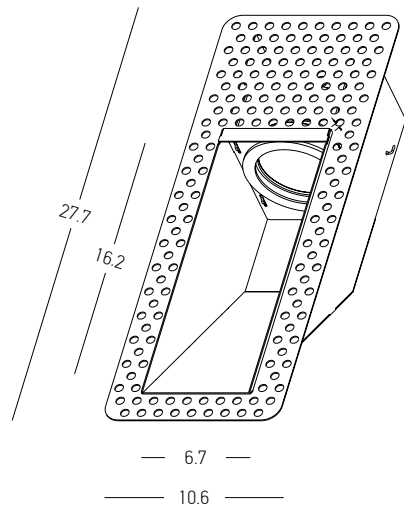


Bulb 1x GU10  
 Power 50W MAX  
 Input 220-240V, 50/60Hz  
 Dimensions L: 8.5cm W: 8.5cm H: 2cm  
 Cutting Hole Ø: 7.5cm  
 Material Aluminium  
 Depth Required JT: 7.5cm  
 Special Feature GU10 Lampholder Included  
 Movable  
 Color White / **Code S013**

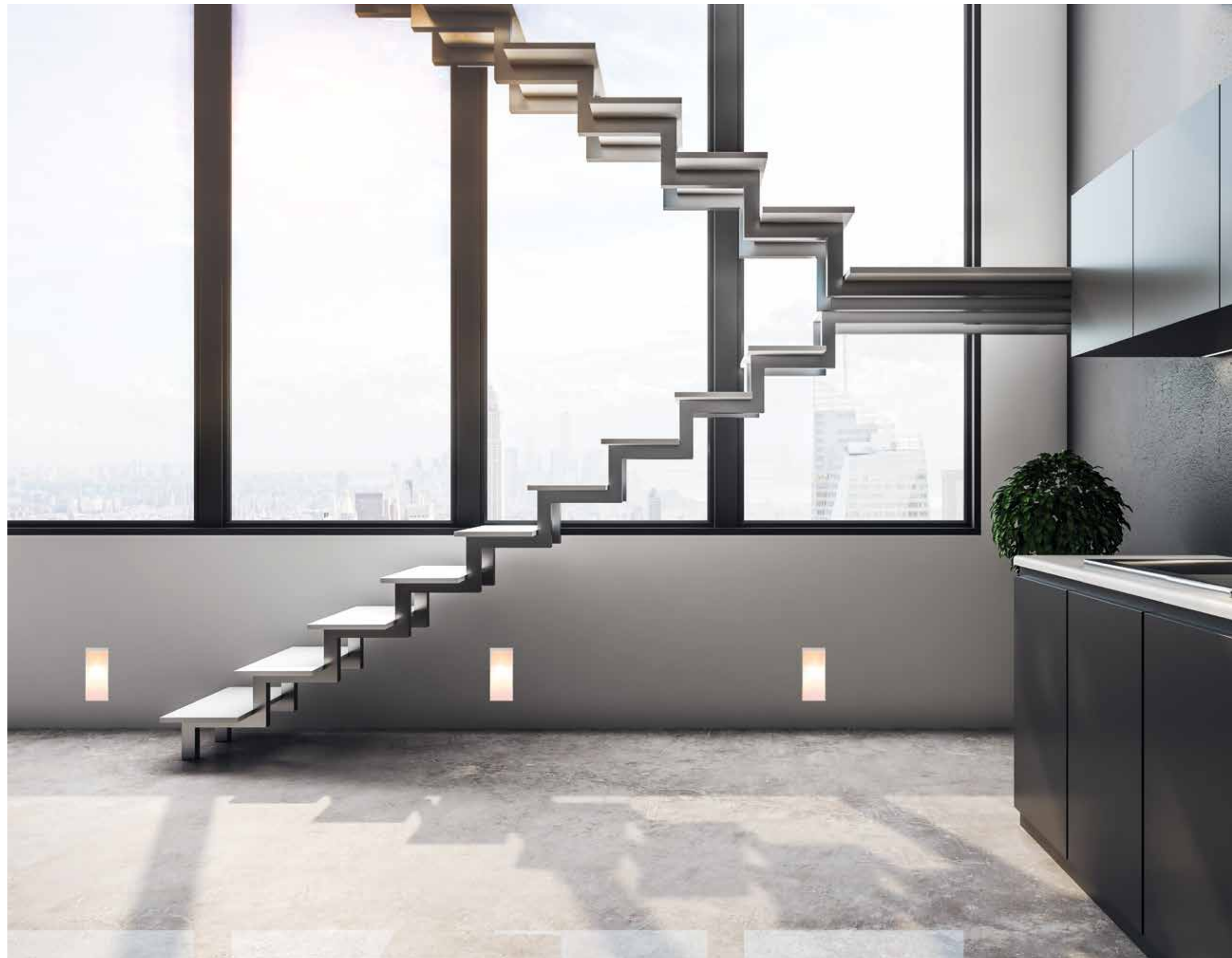


Bulb 1x GU10  
 Power 50W MAX  
 Input 220-240V, 50/60Hz  
 Dimensions L: 8.5cm W: 8.5cm H: 2cm  
 Cutting Hole Ø: 7.5cm  
 Material Aluminium  
 Depth Required JT: 7.5cm  
 Special Feature GU10 Lampholder Included  
 Movable  
 Color Black / **Code S014**





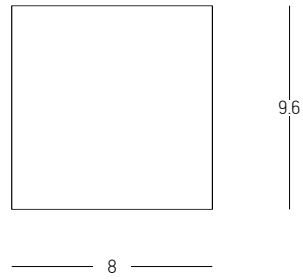
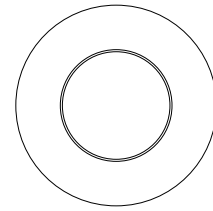
Bulb	1x GU10
Power	40W MAX
Input	220-240V, 50/60Hz
Dimensions	L: 7.2cm W: 6.7cm H: 16.2cm
Cutting Hole	W: 7cm H: 24.5cm
Material	Metal
Depth Required	7cm
Special Feature	GU10 Lampholder Included
Color	Sandy White / <b>Code S147</b>





CEILING SPOTS | p.224-247





Power 10W  
 Input 36V / 250mA  
 Color Temperature 3000K  
 Lumen 720Lm  
 Cri 90  
 Dimensions Ø: 8cm H: 9.6cm  
 Beam Angle 100°  
 Material Aluminium- Acrylic  
 Suggested On-Off Driver D-KE-10 (fits in the light)  
 Suggested DALI Driver D-EG-10 (remote application)  
 Color Sandy White / **Code S214**  
 Color Sandy Black / **Code S215**

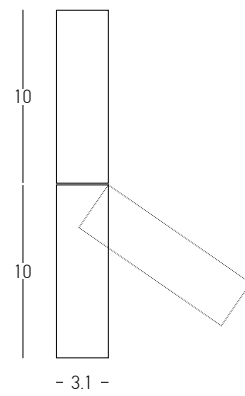


CODE	mA	Watt	V
D-KE-10	250	10	27-40

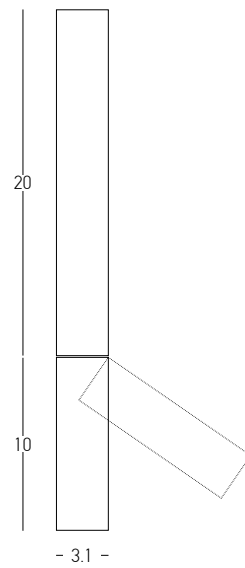
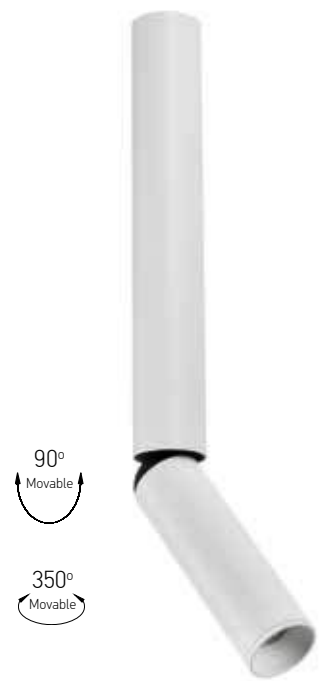


CODE	mA	Watt	V
D-EG-10	250	12	9-42





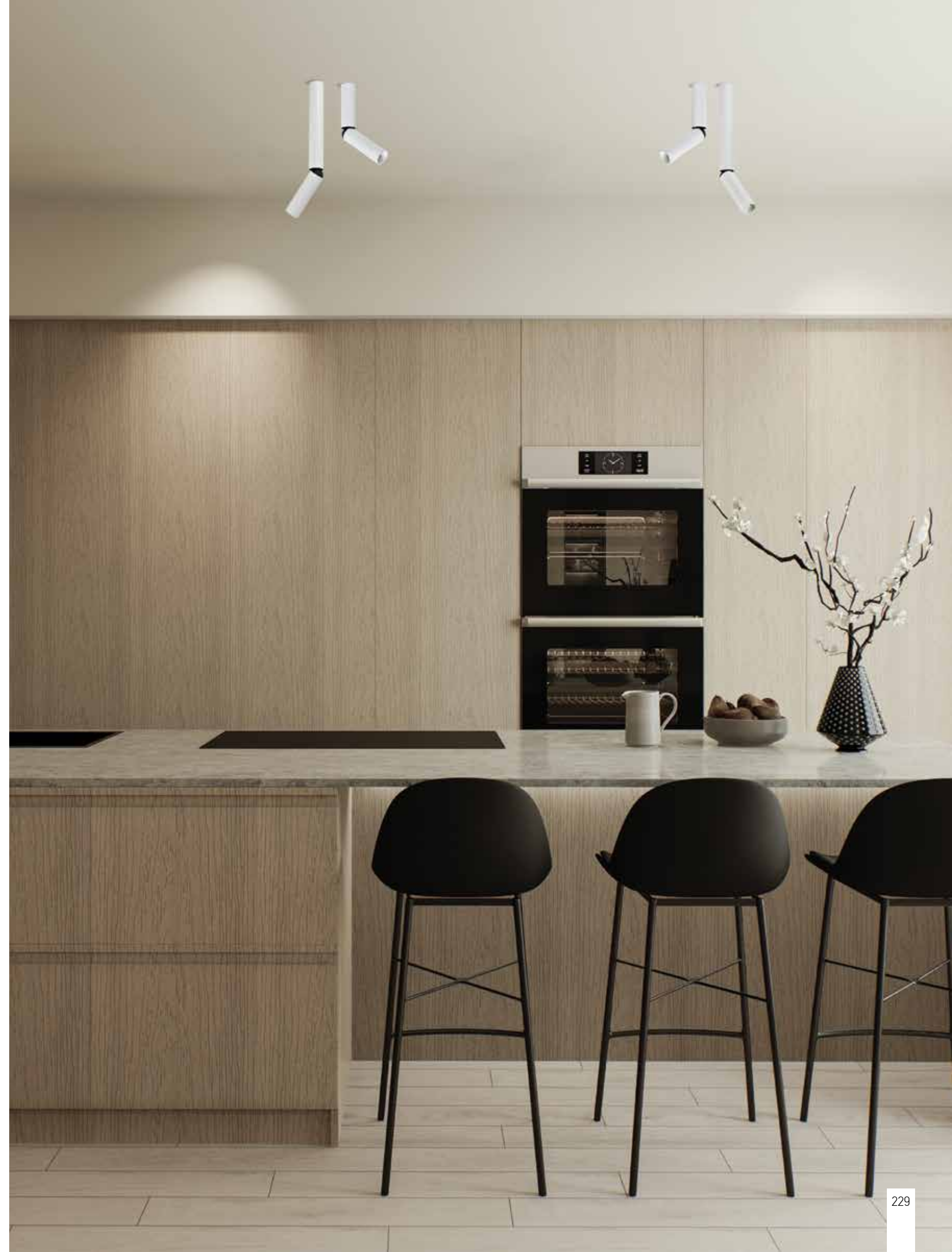
Power 5W  
 Input 220-240V, 50/60Hz  
 Color Temperature 3000K  
 Lumen 380Lm  
 Cri 90  
 Dimensions Ø: 3.1cm H: 20cm  
 Beam Angle 24°  
 Material Aluminium- Acrylic  
 Driver On-Off Included (200mA)  
 Suggested DALI Driver D-EG-5 (remote application)  
 Special Feature Rotation and Tilt Up-Down  
 Color Sandy White / **Code S216**  
 Color Sandy Black / **Code S217**

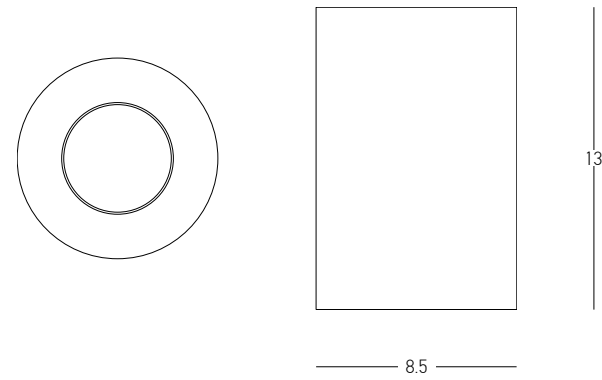


Power 5W  
 Input 220-240V, 50/60Hz  
 Color Temperature 3000K  
 Lumen 380Lm  
 Cri 90  
 Dimensions Ø: 3.1cm H: 30cm  
 Beam Angle 24°  
 Material Aluminium- Acrylic  
 Driver On-Off Included (200mA)  
 Suggested DALI Driver D-EG-5 (remote application)  
 Special Feature Rotation and Tilt Up-Down  
 Color Sandy White / **Code S218**  
 Color Sandy Black / **Code S219**

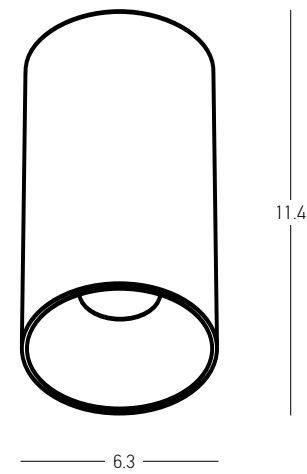


CODE	mA	Watt	V
D-EG-5	120	5	9-42



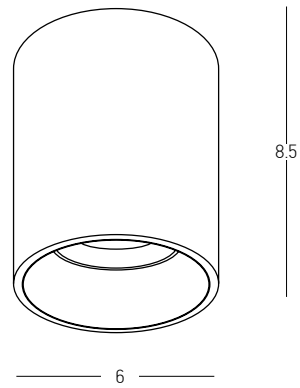


Power 10W  
 Input 220-240V, 50/60Hz  
 Color Temperature 3000K  
 Lumen 720Lm  
 Cri 90  
 IP 44  
 Dimensions Ø: 8.5cm H: 13cm  
 Beam Angle 38°  
 Non Dimmable   
 Material Aluminium  
 Special Feature Movable Spot  
 Spot Ø: 4.5cm  
 Color Sandy White / **Code S179**  
 Color Sandy Black / **Code S180**



Bulb 1x GU10  
 Power 40W MAX  
 Dimensions Ø: 6.3cm H: 11.4cm  
 Material Aluminium  
 Special Feature GU10 Lampholder Included  
 Color Black Matt / **Code S001**  
 Color White Matt / **Code S002**

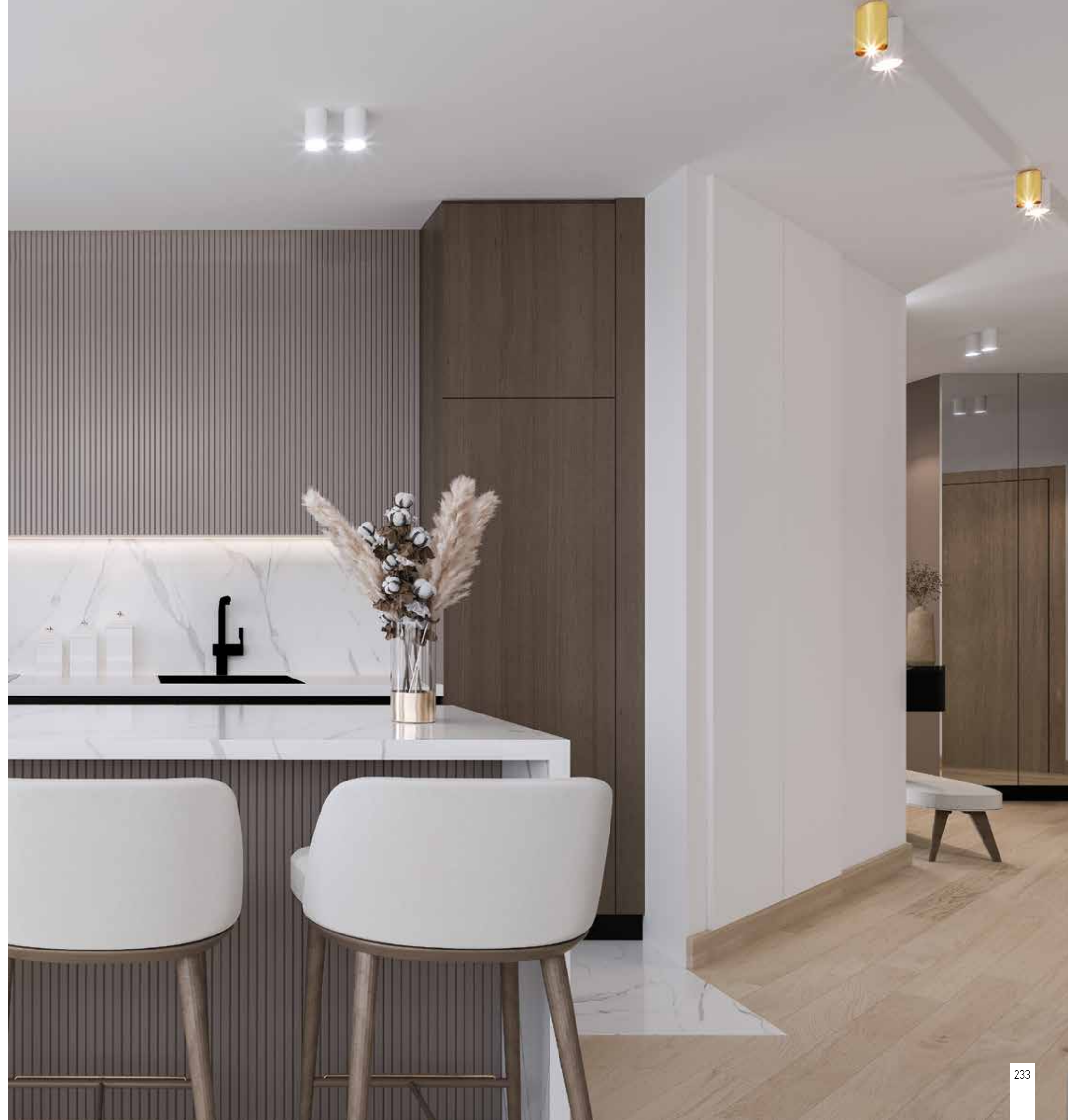


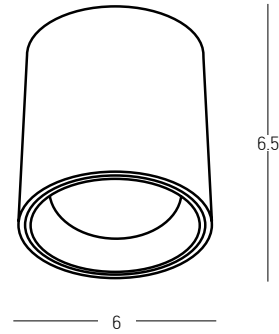


Bulb 1x GU10  
 Power 40W MAX  
 Input 220-240V, 50/60Hz  
 Dimensions Ø: 6cm H: 8.5cm  
 Material Aluminium  
 Special Feature GU10 Lampholder Included  
 Color Sandy White / **Code S153**  
 Color Sandy Black / **Code S154**  
 Color Brushed Gold - Black Ring / **Code S155**



Brushed Gold Ring for S153, S154, S155  
 Material Aluminium  
**Code RFL G 154**





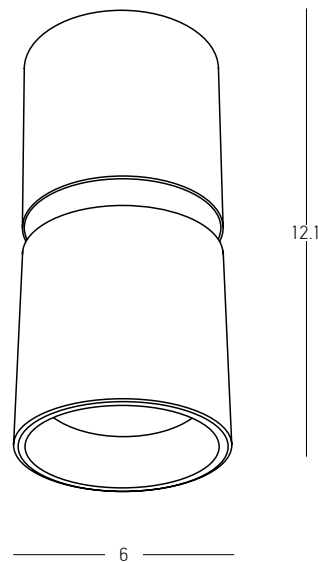
Power 7W  
 Input 220-240V, 50/60Hz  
 Color Temperature 3000K  
 Lumen 500Lm  
 Cri 80  
 Dimensions Ø: 6cm H: 6.5cm  
 Beam Angle 35°  
 Dimmable Triac   
 Material Aluminium  
 Color White Matt / **Code Z12107K-W**  
 Color Black Matt / **Code Z12107K-B**  
**\*Ring** Black / **Code Z050106-B**  
**\*Ring** Brass / **Code Z050106-BR**  
 \*Reflector must be ordered separately



Color Brass / **Code Z050106-BR**  
 Material Plastic

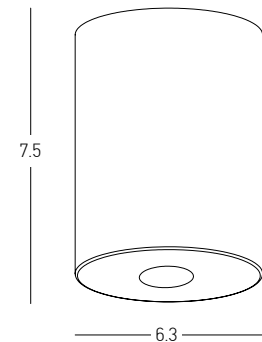
Color Black / **Code Z050106-B**  
 Material Plastic



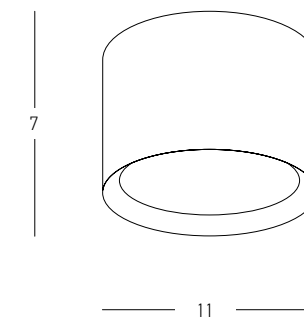


Bulb 1x GU10  
 Power 40W MAX  
 Input 220-240V, 50/60Hz  
 Dimensions Ø: 6cm H: 12.1cm  
 Material Aluminium  
 Special Feature GU10 Lampholder Included  
 Color Sandy White / **Code S159**  
 Color Sandy Black / **Code S160**  
 Color Sandy White - Gold Matt / **Code S161**



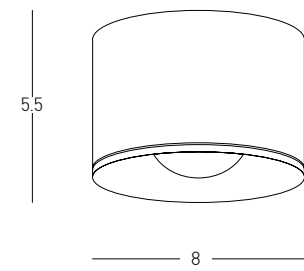


Power 7W  
 Input 220-240V, 50/60Hz  
 Color Temperature 3000K  
 Lumen 560Lm  
 Cri 90  
 IP 54  
 Dimensions Ø: 6.3cm H: 7.5cm  
 Beam Angle 20°  
 Non Dimmable   
 Material Aluminium - Glass  
 Special Feature Included LED Driver  
 Color Sandy Black / **Code S112**  
 Color Sandy White / **Code S113**

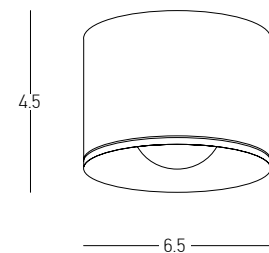


Power 8W  
 Input 220-240V, 50/60Hz  
 Color Temperature 3000K  
 Lumen 454Lm  
 Cri 80  
 Dimensions Ø: 11 cm H: 7cm  
 Material Aluminium - Acrylic  
 Special Feature Included LED Driver  
 Color Sandy White / **Code 22133**  
 Color Sandy Black / **Code 22134**

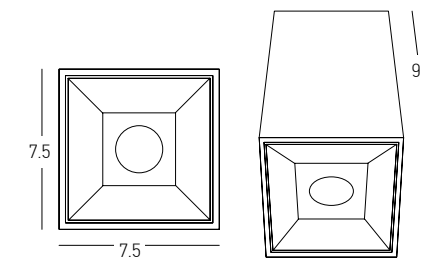




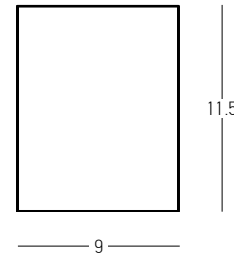
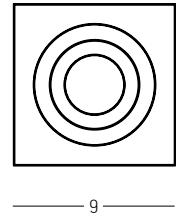
Power 12W  
 Input 220-240V, 50/60Hz  
 Color Temperature 3000K  
 Lumen 561Lm  
 Cri 80  
 IP 54  
 Dimensions Ø: 8cm H: 5.5cm  
 Beam Angle 120°  
 Material Aluminium  
 Color Sandy Black / **Code S131**  
 Sandy White / **Code S132**



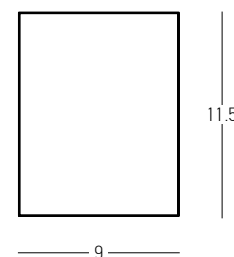
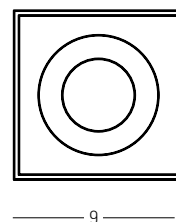
Power 8W  
 Input 220-240V, 50/60Hz  
 Color Temperature 3000K  
 Lumen 454Lm  
 Cri 80  
 IP 54  
 Dimensions Ø: 6.5cm H: 4.5cm  
 Beam Angle 120°  
 Material Aluminium  
 Color Sandy Black / **Code S133**  
 Sandy White / **Code S134**



Power 10W  
 Input 220-240V, 50/60Hz  
 Color Temperature 3000K  
 Lumen 733Lm  
 Cri 80  
 Dimensions L: 7.5cm W: 7.5cm H: 9.5cm  
 Beam Angle 32°  
 Non Dimmable   
 Material Aluminium - Glass  
 Special Feature Included LED Driver  
 Color White - Black Reflector / **Code S068**  
 Black - Black Reflector / **Code S069**

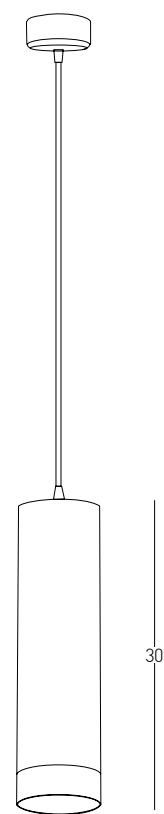


Bulb 1x GU10  
 Power 40W MAX  
 Dimensions L: 9cm W: 9cm H: 11.5cm  
 Material Aluminium  
 Special Feature GU10 Lampholder Included  
 Color White Matt / **Code S039**  
 Color Black Matt / **Code S040**



Bulb 1x GU10  
 Power 40W MAX  
 Dimensions L: 9cm W: 9cm H: 11.5cm  
 Material Aluminium  
 Special Feature GU10 Lampholder Included  
 Color Sandy White / **Code S151**  
 Color Sandy Black / **Code S152**





— 5.3 —

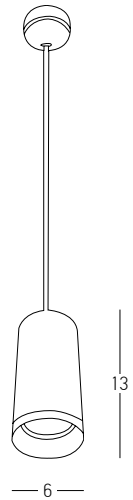
Bulb 1x GU10  
 Power 15W MAX  
 Input 220-240V, 50/60Hz  
 Dimensions Ø: 5.3cm H: 30cm  
 Base Ø: 6.4cm H: 3cm  
 Material Aluminium  
 Special Feature 150cm Cable Adjustable  
 GU10 Lampholder Included

Color Sandy White / **Code S156**  
 Color Sandy Black / **Code S157**  
 Color Brushed Gold - Black Ring / **Code S158**



Sandy Black Ring  
 Material Aluminium  
**Code RFL B 158**





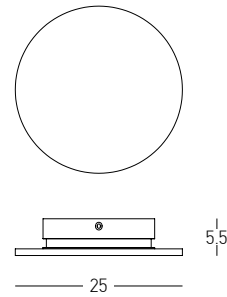
Bulb 1x GU10  
 Power 40W MAX  
 Dimensions Ø: 6cm H: 13cm  
 Base Ø: 6cm H: 3cm  
 Material Aluminium  
 Special Feature 200cm Cable Adjustable  
 Color Black Matt / **Code S063**

Power 9W  
 Input 220-240V, 50/60Hz  
 Color Temperature 3000K  
 Lumen 720Lm  
 Cri 90  
 Dimensions Ø: 6cm H: 13cm  
 Base Ø: 6cm H: 3cm  
 Beam Angle 15° / 24° / 40°  
 Material Aluminium  
 Special Feature 200cm Cable Adjustable  
 Included LED Driver

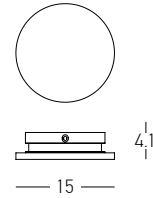
Color Black Matt / **Code S063-15**  
 Color Black Matt / **Code S063-24**  
 Color Black Matt / **Code S063-40**





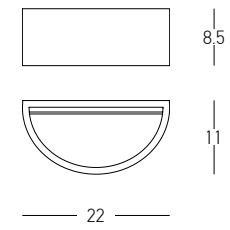
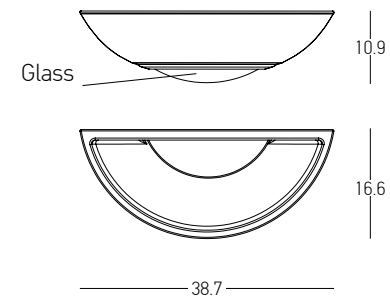


Power 9.2W  
Input 220-240V , 50/60Hz  
Color Temperature 3000K  
Lumen 460Lm  
Cri 80  
Dimensions Ø: 25cm L: 5.5cm  
Material Gypsum  
Color Pure White / **Code 20272**



Power 7.5W  
Input 220-240V , 50/60Hz  
Color Temperature 3000K  
Lumen 375Lm  
Cri 80  
Dimensions Ø: 15cm L: 4.1cm  
Material Gypsum  
Color Pure White / **Code 20271**

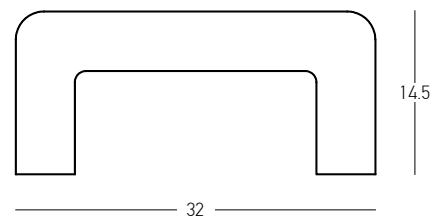




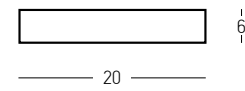
Bulb 1x E27  
 Power 40W MAX  
 Input 220-240V . 50/60Hz  
 Dimensions L: 16.6cm W:38.7cm H: 10.9cm  
 Material Gypsum - Glass  
 Color Pure White / **Code 20273**

Bulb 1x E14  
 Power 40W MAX  
 Input 220-240V . 50/60Hz  
 Dimensions L: 11cm W: 22cm H: 8.5cm  
 Material Gypsum  
 Color Pure White / **Code 20274**

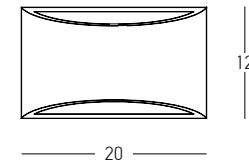




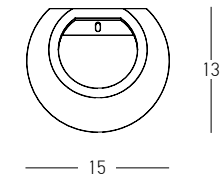
Bulb 1x G9  
 Power 25W MAX  
 Input 220-240V , 50/60Hz  
 Dimensions L: 14.5cm W: 32cm H: 5.5cm  
 Material Gypsum  
 Color Pure White / **Code 180026**



Bulb 1x G9  
 Power 25W MAX  
 Input 220-240V , 50/60Hz  
 Dimensions L: 10cm W: 20cm H: 6cm  
 Material Gypsum  
 Color Pure White / **Code 180027**



Bulb 1x G9  
 Power 25W MAX  
 Input 220-240V , 50/60Hz  
 Dimensions L: 8.5cm W: 20cm H: 12cm  
 Material Gypsum  
 Color Pure White / **Code 180025**



Bulb 1x G9  
 Power 25W MAX  
 Input 220-240V , 50/60Hz  
 Dimensions L: 13cm W: 15cm H: 13cm  
 Material Gypsum  
 Color Pure White / **Code 180028**







Bulb 1x GU10  
 Power 50W MAX  
 Input 220-240V, 50/60Hz  
 Dimensions L: 12cm W: 12cm H: 7cm  
 Cutting Hole L: 12.2cm W: 12.2cm  
 Material Gypsum  
 Depth Required JTL: 14cm  
 Special Feature GU10 Lampholder Included  
 Color Pure White / **Code S030**



Bulb 1x GU10  
 Power 50W MAX  
 Input 220-240V, 50/60Hz  
 Dimensions L: 12cm W: 12cm H: 6.1cm  
 Cutting Hole L: 12.2cm W: 12.2cm  
 Material Gypsum  
 Depth Required JTL: 11.5cm  
 Special Feature GU10 Lampholder Included  
 Color Pure White / **Code S025**



Bulb 1x GU10  
 Power 50W MAX  
 Input 220-240V, 50/60Hz  
 Dimensions Ø: 10cm H: 3cm  
 Cutting Hole Ø: 10.3cm  
 Material Gypsum  
 Depth Required JTL: 9cm  
 Special Feature GU10 Lampholder Included  
 Color Pure White / **Code S027**



Bulb 1x GU10  
 Power 50W MAX  
 Input 220-240V, 50/60Hz  
 Dimensions L: 12cm W: 12cm H: 6.2cm  
 Cutting Hole L: 12.2cm W: 12.2cm  
 Material Gypsum  
 Depth Required JTL: 11.5cm  
 Special Feature GU10 Lampholder Included  
 Color Pure White / **Code S029**

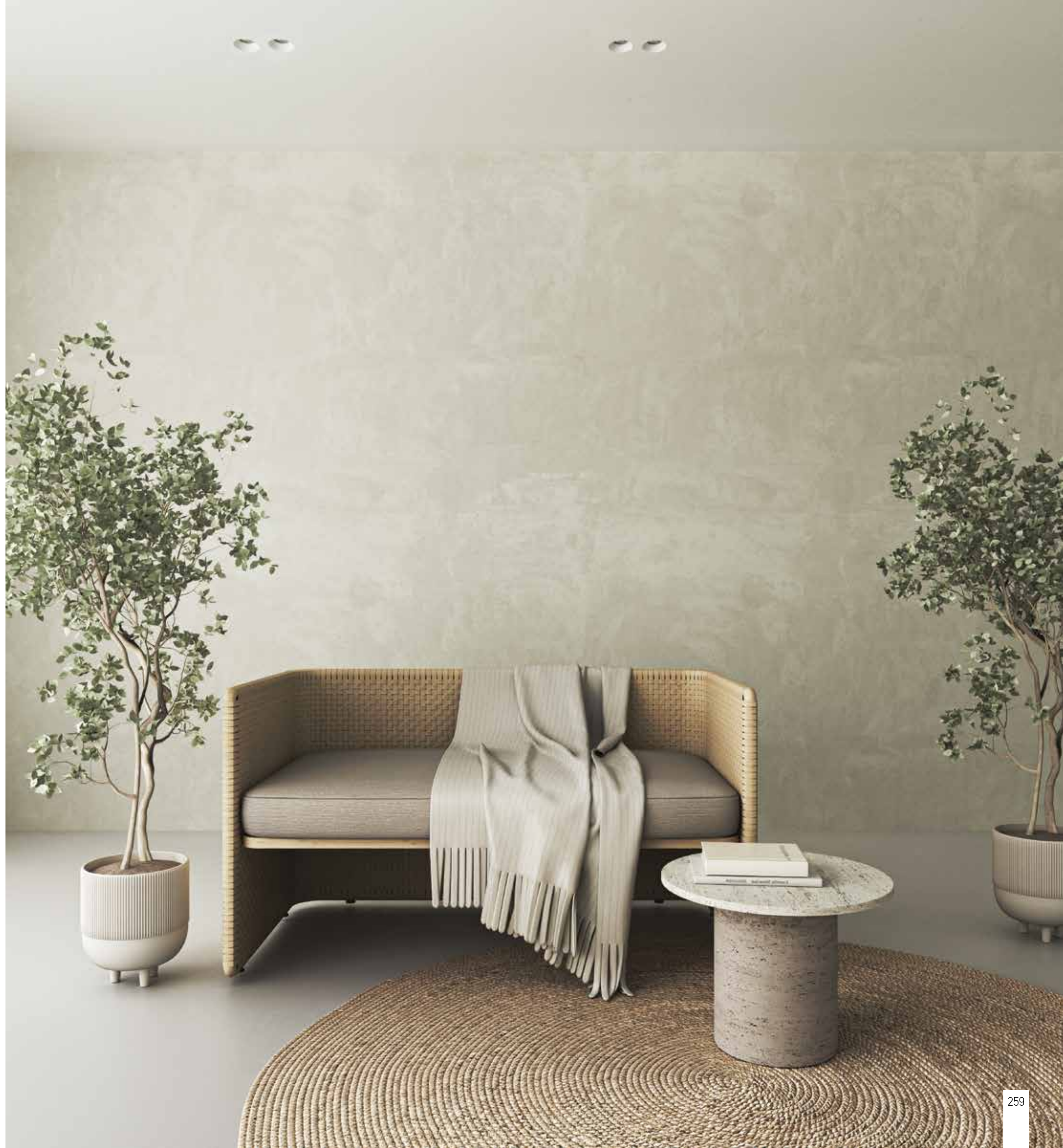




Bulb 1x GU10  
 Power 50W MAX  
 Input 220-240V, 50/60Hz  
 Dimensions L: 8cm W: 8cm H: 6cm  
 Cutting Hole L: 8.2cm W: 8.2cm  
 Material Gypsum  
 Depth Required JTT: 12cm  
 Special Feature GU10 Lampholder Included  
 Color Pure White / **Code S047**



Bulb 1x GU10  
 Power 50W MAX  
 Input 220-240V, 50/60Hz  
 Dimensions L: 8cm W: 8cm H: 6cm  
 Cutting Hole L: 8.2cm W: 8.2cm  
 Material Gypsum  
 Depth Required JTT: 12cm  
 Special Feature GU10 Lampholder Included  
 Color Pure White / **Code S048**



ALUMINIUM PROFILES-LED STRIPS-DRIVERS | p.260-279



2m Profile + Opal PC Cover, Aluminium

17.2

12.5

14.4

**End Caps**      **Metal Clips**

Profile Set	
<b>20193</b>	2m Aluminium Profile + 2m Opal PC Cover
<b>20193-E</b>	2pcs End Caps with Hole , 2pcs End Caps without Hole , 4pcs Metal Clips

2m Profile + Opal PC Cover , Aluminium

52.2

9.65

13.1

12.2

**End Caps**

Profile Set	
<b>20205</b>	2m Aluminium Profile + 2m Opal PC Cover
<b>20205-E</b>	2pcs End Caps with Hole , 2pcs End Caps without Hole

2m Profile + Opal PC Cover, Aluminium

24.8

12.2

14.4

17.1

**End Caps**      **Metal Clips**

Profile Set	
<b>20194</b>	2m Aluminium Profile + 2m Opal PC Cover
<b>20194-E</b>	2pcs End Caps with Hole , 2pcs End Caps without Hole , 4pcs Metal Clips

2m Profile + Opal PC Cover , Aluminium

56.6

12.5

10.6

17.4

**End Caps**

Profile Set	
<b>20203</b>	2m Aluminium Profile + 2m Opal PC Cover
<b>20203-E</b>	2pcs End Caps with Hole , 2pcs End Caps without Hole

2m Profile + Opal PC Cover, Aluminium

16

12

16

**End Caps**      **Metal Clips**

Profile Set	
<b>20197</b>	2m Aluminium Profile + 2m Opal PC Cover
<b>20197-E</b>	2pcs End Caps with Hole , 2pcs End Caps without Hole , 4pcs Metal Clips

2m Profile + Opal PC Cover , Aluminium

61.4

21

14

27.9

**End Caps**

Profile Set	
<b>20204</b>	2m Aluminium Profile + 2m Opal PC Cover
<b>20204-E</b>	2pcs End Caps with Hole , 2pcs End Caps without Hole

2m Profile + Opal PC Cover, Aluminium

End Caps      Side Hanging End Caps      Top Hanging Kit

Profile Set	
<b>20190</b>	2m Aluminium Profile + 2m Opal PC Cover + 2pcs End Caps
<b>20190-H</b>	2pcs Top Hanging Kit
<b>20190-S</b>	2pcs Side Hanging End Caps

2m Profile + Opal PC Cover, Aluminium  
2m Profile + Clear PC Cover, Aluminium

End Caps      Metal Clips

Profile Set	
<b>20199</b>	2m Aluminium Profile + 2m Opal PC Cover
<b>20199-E</b>	2pcs End Caps with Hole , 2pcs End Caps without Hole , 4pcs Metal Clips

2m Profile + Opal PC Cover, Aluminium

End Caps      Metal Clips

Profile Set	
<b>20195</b>	2m Aluminium Profile + 2m Opal PC Cover
<b>20195-E</b>	2pcs End Caps with Hole , 2pcs End Caps without Hole , 4pcs Metal Clips

2m Profile + Opal PC Cover, Aluminium

End Caps      Plastic Clips

Profile Set	
<b>20201</b>	2m Aluminium Profile + 2m Opal PC Cover
<b>20201-E</b>	1pcs End Caps with Hole , 1pcs End Caps without Hole , 2pcs Plastic Clips

2m Profile + Opal PC Cover, Aluminium

End Caps      Metal Clips

Profile Set	
<b>20198</b>	2m Aluminium Profile + 2m Opal PC Cover
<b>20198-E</b>	2pcs End Caps with Hole , 2pcs End Caps without Hole , 4pcs Metal Clips

2m Profile + Opal PC Cover, Aluminium

End Caps      Metal Clips

Profile Set	
<b>20206</b>	2m Aluminium Profile + 2m Opal PC Cover
<b>20206-E</b>	2pcs End Caps with Hole , 2pcs End Caps without Hole , 4pcs Metal Clips



2m Profile + Opal PC Cover, Aluminium



End Caps

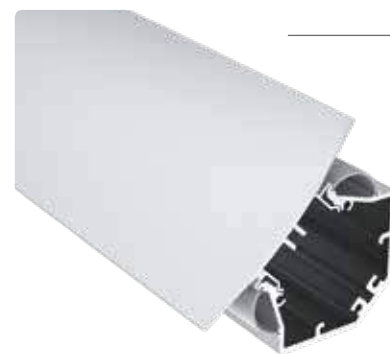
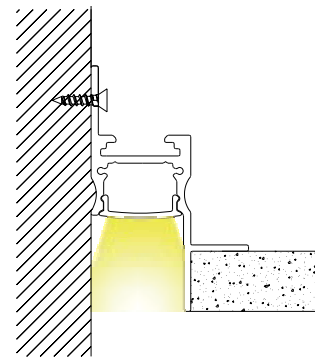
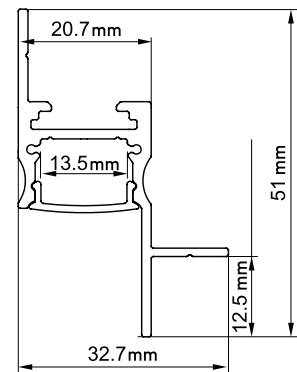


90° Corner Connector



Straight Connector

Profile Set	
<b>20326</b>	2m Aluminium Profile + 2m Opal PC Cover + 2pcs End Caps
<b>20326-CC</b>	1pc Corner Connector
<b>20326-SC</b>	1pc Straight Connector

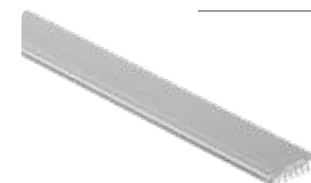
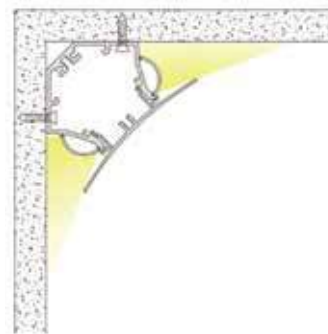
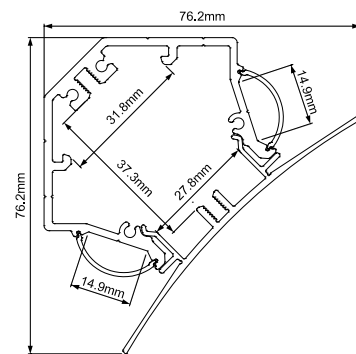


2m Profile + Opal PC Cover, Aluminium

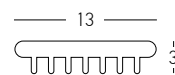


End Caps

Profile Set	
<b>20327</b>	2m Aluminium Profile + 4m Opal PC Cover + 2pcs End Caps
<b>20327-W</b>	2m Aluminium Profile White + 4m Opal PC Cover + 2pcs End Caps



2m Profile for Heat Dissipation, Aluminium / Code 20202



2m Profile + Opal PC Cover, Aluminium



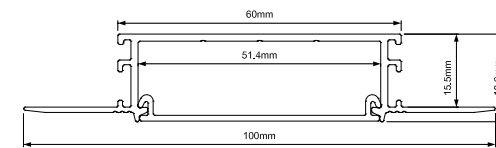
End Caps



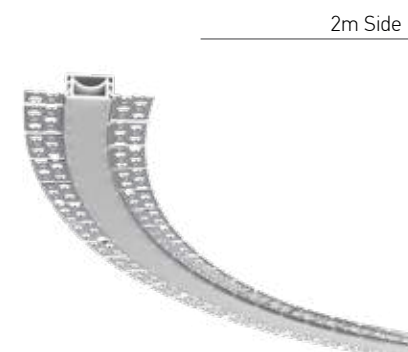
90° Horizontal Connector



90° Vertical Connector



Profile Set	
<b>20328</b>	2m Aluminium Profile + 2m Opal PC Cover + 2pcs End Caps
<b>20328-HC</b>	1pc Horizontal Connector
<b>20328-VC</b>	1pc Vertical Connector
<b>20328-OP1</b>	10m Opal PC Cover
<b>20328-OP2</b>	20m Opal PC Cover

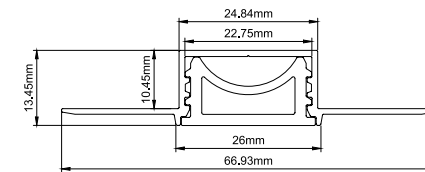


2m Side Bending Profile + Silicon Tube Diffuser, Aluminium



End Caps

Profile Set	
<b>20329</b>	2m Side Bending Aluminium Profile + 2m Silicon Tube Diffuser
<b>20329-E</b>	2pcs End Caps



2m Profile + Opal PC Cover, Aluminium



End Caps

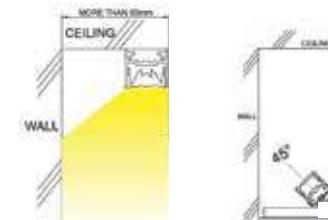
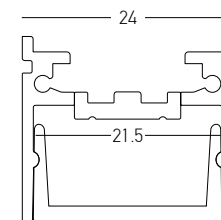


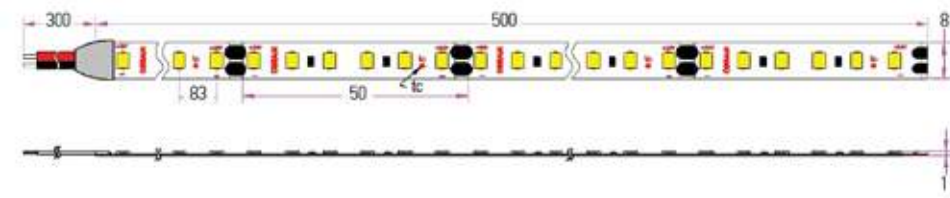
Metal Clips



45° Base for 20325

Profile Set	
<b>20325</b>	2m Aluminium Profile + 2m Opal PC Cover
<b>20325-E</b>	2pcs End Caps + 2pcs Metal Clips
<b>20325-45B</b>	1pc 45° Base for 20325





**-LED STRIP 3.5W/m | 120 LEDs/m**

Less Wattage Better Efficiency **NEW**

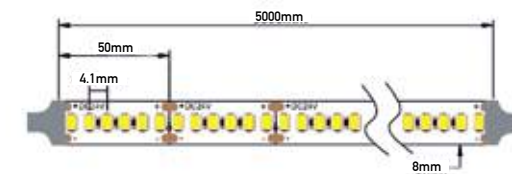
Code	IP	Kelvin	CRI	Watt	Lm/m
LS17	20	2700	85	3.5W/m	400
LS18	20	3000	85	3.5W/m	420
LS19	20	4000	85	3.5W/m	450
LS20	65	2700	85	3.5W/m	370
LS21	65	3000	85	3.5W/m	390
LS22	65	4000	85	3.5W/m	415

Lumen Efficiency 110Lm/W  
 SDCM 3  
 Ra 85  
 LEDs/m 120  
 Voltage DC24V  
 Width IP20 8mm  
 IP65 10.3mm  
 Unit Cut 50mm  
 Life Span 30000H  
 Waterproof Rate IP20 + IP65



**Dimming Options**

1. DALI Dimming : Dali Driver 24V + Switch DALI MCU . Suitable with Drivers to Page : 275
2. BLUETOOTH Dimming : Element Driver 24V+OT BLE (CASAMBI App) . Suitable with Drivers to Page : 274 | 276
3. PHASECUT Dimming : Suitable with PhaseCut Drivers to Page : 276
4. 1-10 Dimming : 1-10 Driver 24V . Suitable with 1-10V Drivers to Page : 276
5. PUSH BUTTON Dimming : Dali Driver 24V to Page : 275



**-LED STRIP 9.6W/m | 240 LEDs/m**

**NEW**

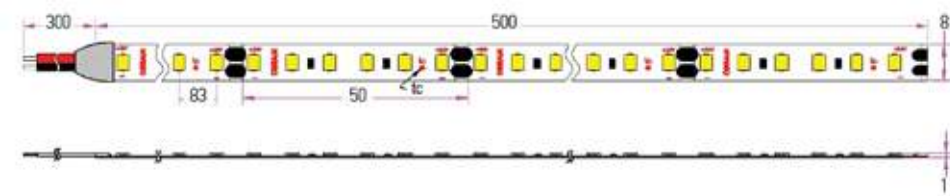
Code	IP	Kelvin	CRI	Watt	Lm/m
LS29	20	3000	85	9.6W/m	1000
LS33	20	4000	85	9.6W/m	1020

Lumen Efficiency 105Lm/W  
 SDCM 3  
 Ra 85  
 LEDs/m 240  
 Voltage DC24V  
 Width 8mm  
 Unit Cut 50mm  
 Life Span 25000H  
 Waterproof Rate IP20



**Dimming Options**

1. DALI Dimming : Dali Driver 24V + Switch DALI MCU . Suitable with Drivers to Page : 275
2. BLUETOOTH Dimming : Element Driver 24V+OT BLE (CASAMBI App) . Suitable with Drivers to Page : 274 | 276
3. PHASECUT Dimming : Suitable with PhaseCut Drivers to Page : 276
4. 1-10 Dimming : 1-10 Driver 24V . Suitable with 1-10V Drivers to Page : 276
5. PUSH BUTTON Dimming : Dali Driver 24V to Page : 275



**-LED STRIP 8.6W/m | 120 LEDs/m**

Less Wattage Better Efficiency **NEW**

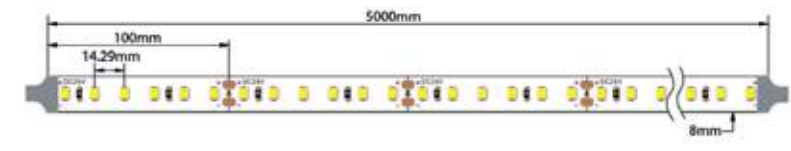
Code	IP	Kelvin	CRI	Watt	Lm/m
LS23	20	2700	85	8.6W/m	980
LS24	20	3000	85	8.6W/m	1020
LS25	20	4000	85	8.6W/m	1050
LS26	65	2700	85	8.6W/m	910
LS27	65	3000	85	8.6W/m	950
LS28	65	4000	85	8.6W/m	975

Lumen Efficiency 110Lm/W  
 SDCM 3  
 Ra 85  
 LEDs/m 120  
 Voltage DC24V  
 Width IP20 8mm  
 IP65 10.3mm  
 Unit Cut 50mm  
 Life Span 30000H  
 Waterproof Rate IP20 + IP65



**Dimming Options**

1. DALI Dimming : Dali Driver 24V + Switch DALI MCU . Suitable with Drivers to Page : 275
2. BLUETOOTH Dimming : Element Driver 24V+OT BLE (CASAMBI App) . Suitable with Drivers to Page : 274 | 276
3. PHASECUT Dimming : Suitable with PhaseCut Drivers to Page : 276
4. 1-10 Dimming : 1-10 Driver 24V . Suitable with 1-10V Drivers to Page : 276
5. PUSH BUTTON Dimming : Dali Driver 24V to Page : 275



**-LED STRIP 15.5W/m | 140 LEDs/m**

**NEW**

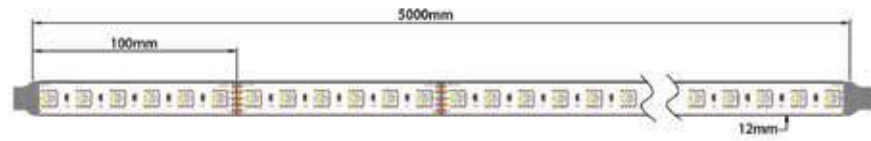
Code	IP	Kelvin	CRI	Watt	Lm/m
LS31	20	3000	85	15.5W/m	2000
LS32	20	4000	85	15.5W/m	2060

Lumen Efficiency 129Lm/W  
 SDCM 3  
 Ra 85  
 LEDs/m 140  
 Voltage DC24V  
 Width 8mm  
 Unit Cut 100mm  
 Life Span 50000H  
 Waterproof Rate IP20



**Dimming Options**

1. DALI Dimming : Dali Driver 24V + Switch DALI MCU . Suitable with Drivers to Page : 275
2. BLUETOOTH Dimming : Element Driver 24V+OT BLE (CASAMBI App) . Suitable with Drivers to Page : 274 | 276
3. PHASECUT Dimming : Suitable with PhaseCut Drivers to Page : 276
4. 1-10 Dimming : 1-10 Driver 24V . Suitable with 1-10V Drivers to Page : 276
5. PUSH BUTTON Dimming : Dali Driver 24V to Page : 275



**-LED STRIP 16W/m RGBW**

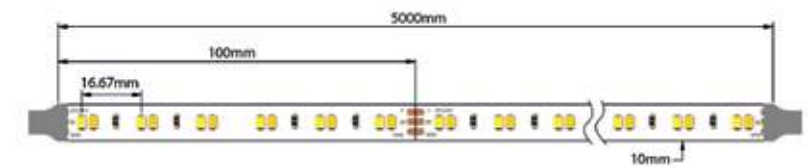
Code	IP	Kelvin	CRI	Watt	Lm/m
LS12	20	3000	80	16W/m	832

Lumen Efficiency 52Lm/W  
 SDCM 3  
 Ra 80  
 LEDs/m 60  
 Voltage DC24V  
 Width 12mm  
 Unit Cut 100mm  
 Life Span 54000H  
 Waterproof Rate IP20



**Dimming Options**

1. DALI Dimming : Element Driver 24V Up to 240W+OTi DALI DIM 1-4CH . Suitable with Drivers to Page : 274 | 276
2. BLUETOOTH Dimming : Element Driver 24V+OT BLE (CASAMBI App) . Suitable with Drivers to Page : 274 | 276



**-LED STRIP TW (2700K-6500K)**

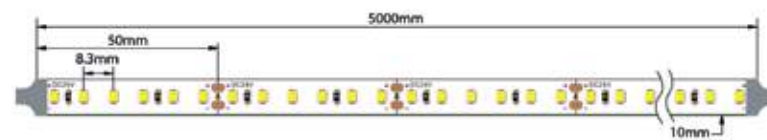
Code	IP	Kelvin	CRI	Watt	Lm/m
LS06	20	2700	90	12W/m	816
		6500	90	12W/m	1050
		2700+6500	90	24W/m	1866

Lumen Efficiency 78Lm/W  
 SDCM 3  
 Ra 90  
 LEDs/m 120  
 Voltage DC24V  
 Width 10mm  
 Unit Cut 100mm  
 Life Span 20000H  
 Waterproof Rate IP20



**Dimming Options**

1. DALI Dimming : Element Driver 24V Up to 240W+OTi DALI DIM 1-4CH . Suitable with Drivers to Page : 274 | 276
2. BLUETOOTH Dimming : Element Driver 24V+OT BLE (CASAMBI App) . Suitable with Drivers to Page : 274 | 276



**-LED STRIP 2400K 12W/m**

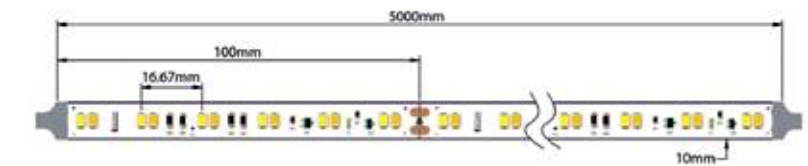
Code	IP	Kelvin	CRI	Watt	Lm/m
LS05	20	2400	90	12W/m	1200

Lumen Efficiency 100Lm/W  
 SDCM 3  
 Ra 90  
 LEDs/m 120  
 Voltage DC24V  
 Width 10mm  
 Unit Cut 50mm  
 Life Span 20000H  
 Waterproof Rate IP20



**Dimming Options**

1. DALI Dimming : Dali Driver 24V + Switch DALI MCU . Suitable with Drivers to Page : 275
2. BLUETOOTH Dimming : Element Driver 24V+OT BLE (CASAMBI App) . Suitable with Drivers to Page : 274 | 276
3. PHASECUT Dimming : Suitable with PhaseCut Drivers to Page : 276
4. 1-10 Dimming : 1-10 Driver 24V . Suitable with 1-10V Drivers to Page : 276
5. PUSH BUTTON Dimming : Dali Driver 24V to Page : 275



**-LED STRIP DIM TO WARM**

Code	IP	Kelvin	CRI	Watt	Lm/m
LS07	20	2100-3500	90	12W/m	MAX 1050

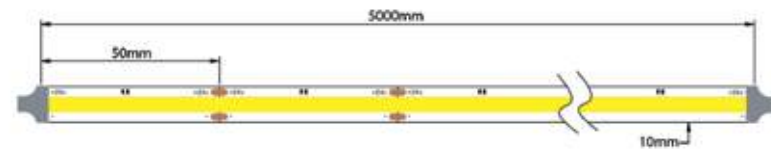
Lumen Efficiency 88Lm/W  
 Ra 90  
 LEDs/m 120  
 Voltage DC24V  
 Width 10mm  
 Unit Cut 100mm  
 Life Span 20000H  
 Waterproof Rate IP20



**Dimming Options**

1. DALI Dimming : Dali Driver 24V + Switch DALI MCU . Suitable with Drivers to Page : 275
2. BLUETOOTH Dimming : Element Driver 24V+OT BLE (CASAMBI App) . Suitable with Drivers to Page : 274 | 276
3. PHASECUT Dimming : Suitable with PhaseCut Drivers to Page : 276
4. PUSH BUTTON Dimming : Dali Driver 24V to Page : 275





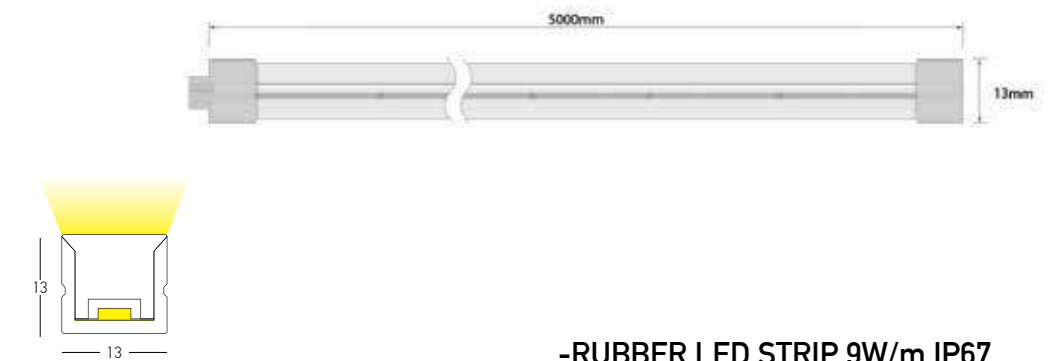
**-LED STRIP COB 10W**

Code	IP	Kelvin	CRI	Watt	Lm/m
LS02	20	2700	90	10W/m	950
LS03	20	3000	90	10W/m	1000
LS04	20	4000	90	10W/m	1105

Lumen Efficiency 110Lm/W  
 SDCM 3  
 Ra 90  
 SMD Type COB  
 LEDs/m 480  
 Voltage DC24V  
 Width 10mm  
 Unit Cut 50mm  
 Life Span 20000H  
 Waterproof Rate IP20

**Dimming Options**

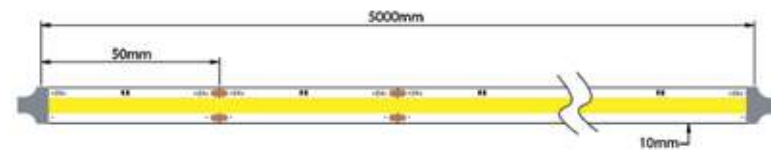
1. DALI Dimming : Dali Driver 24V + Switch DALI MCU . Suitable with Drivers to Page : 275
2. BLUETOOTH Dimming : Element Driver 24V+OT BLE (CASAMBI App) . Suitable with Drivers to Page : 274 | 276
3. PHASECUT Dimming : Suitable with PhaseCut Drivers to Page : 276
4. 1-10 Dimming : 1-10 Driver 24V . Suitable with 1-10V Drivers to Page : 276
5. PUSH BUTTON Dimming : Dali Driver 24V to Page : 2751



**-RUBBER LED STRIP 9W/m IP67**

Code	IP	Kelvin	CRI	Watt	Lm/m
LS14	67	3000	90	9W/m	468
LS15	67	4000	90	9W/m	495

Lumen Efficiency 55Lm/W  
 SDCM 3  
 Ra 90  
 LEDs/m 112  
 Voltage DC24V  
 Unit Cut 55.5mm  
 Life Span 20000H  
 Waterproof Rate IP67  
 Special Feature UV resistant  
 Chemical resistant



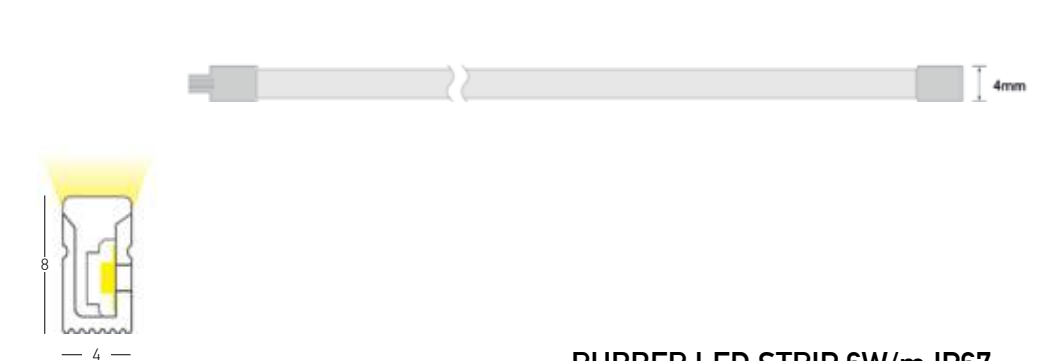
**-LED STRIP COB 5W**

Code	IP	Kelvin	CRI	Watt	Lm/m
LS01	20	2700	90	5W/m	510

Lumen Efficiency 110Lm/W  
 SDCM 3  
 Ra 90  
 SMD Type COB  
 LEDs/m 480  
 Voltage DC24V  
 Width 10mm  
 Unit Cut 50mm  
 Life Span 20000H  
 Waterproof Rate IP20

**Dimming Options**

1. DALI Dimming : Dali Driver 24V + Switch DALI MCU . Suitable with Drivers to Page : 275
2. BLUETOOTH Dimming : Element Driver 24V+OT BLE (CASAMBI App) . Suitable with Drivers to Page : 274 | 276
3. PHASECUT Dimming : Suitable with PhaseCut Drivers to Page : 276
4. 1-10 Dimming : 1-10 Driver 24V . Suitable with 1-10V Drivers to Page : 276
5. PUSH BUTTON Dimming : Dali Driver 24V to Page : 275



**-RUBBER LED STRIP 6W/m IP67**

Code	IP	Kelvin	CRI	Watt	Lm/m
LS08	67	2700	95	6W/m	240
LS09	67	3000	95	6W/m	256
LS16	67	4000	95	6W/m	240

Lumen Efficiency 42Lm/W  
 SDCM 3  
 Ra 95  
 LEDs/m 480  
 Voltage DC24V  
 Unit Cut 25mm  
 Life Span 20000H  
 Waterproof Rate IP67  
 Special Feature UV resistant  
 Chemical resistant



Power 30W  
 Input 220-240V, 50/60Hz  
 Output 24V  
 Dimensions W: 4.1cm H: 2.7cm L: 14.5cm  
 Non Dimmable ☒ On-Off  
 ELEMENT 30/220-240/24 G2  
 Material Plastic  
 Special Feature IP 20  
 Color White / Code 4052899605503



OSRAM

Power 60W  
 Input 220-240V, 50/60Hz  
 Output 24V  
 Dimensions W: 4.1cm H: 3.1cm L: 20.1cm  
 Non Dimmable ☒ On-Off  
 ELEMENT 60/220-240/24 G2  
 Material Plastic  
 Special Feature IP 20  
 Color White / Code 4052899605527



OSRAM

Power 30W  
 Input 220-240V, 50/60Hz  
 Output 24V  
 Dimensions W: 6.7cm H: 3cm L: 10.3cm  
 DALI Dimming ○ Push Button - DALI2  
 1 CHANNEL  
 Material Plastic  
 Special Feature IP 20  
 Color White / Code 4062172329767



OSRAM

Power 50W  
 Input 220-240V, 50/60Hz  
 Output 24V  
 Dimensions W: 3.2cm H: 2.2cm L: 34.6cm  
 DALI Dimming ○ Push Button - DALI2  
 1 CHANNEL  
 Material Plastic  
 Special Feature IP 20  
 Color White / Code 4062172274340



OSRAM

Power 120W  
 Input 220-240V, 50/60Hz  
 Output 24V  
 Dimensions W: 4.1cm H: 3.1cm L: 26cm  
 Non Dimmable ☒ On-Off  
 ELEMENT 120/220-240/24 G2  
 Material Plastic  
 Special Feature IP 20  
 Color White / Code 4052899605541



OSRAM

Power 180W  
 Input 220-240V, 50/60Hz  
 Output 24V  
 Dimensions W: 4cm H: 3.1cm L: 30cm  
 Non Dimmable ☒ On-Off  
 ELEMENT 180/220-240/24 G2  
 Material Plastic  
 Special Feature IP 20  
 Color White / Code 4052899605565



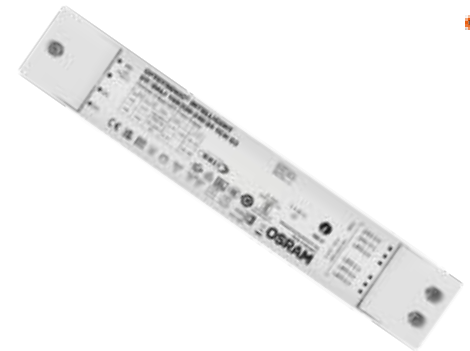
OSRAM

Power 80W  
 Input 220-240V, 50/60Hz  
 Output 24V  
 Dimensions W: 3.2cm H: 2.2cm L: 34.6cm  
 DALI Dimming ○ Push Button - DALI2  
 1 CHANNEL  
 Material Plastic  
 Special Feature IP 20  
 Color White / Code 4062172274364



OSRAM

Power 160W  
 Input 220-240V, 50/60Hz  
 Output 24V  
 Dimensions W: 5cm H: 3.5cm L: 30cm  
 DALI Dimming ○ Push Button - DALI2  
 1 CHANNEL  
 Material Plastic  
 Special Feature IP 20  
 Color White / Code 4062172274388



OSRAM

Power 250W  
 Input 220-240V, 50/60Hz  
 Output 24V  
 Dimensions W: 3.5cm H: 5cm L: 37.5cm  
 Non Dimmable ☒ On-Off  
 ELEMENT 250/220-240/24 G2  
 Material Plastic  
 Special Feature IP 20  
 Color White / Code 4062172333467



OSRAM

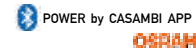
Input 220-240V, 50/60Hz  
 Dimensions W: 5cm H: 8cm L: 8cm  
 DALI Dimming ○  
 DALI MCU Tunable White Switch  
 Material Plastic  
 Special Feature IP 20  
 Color White / Code 4052899465916



24V ON-OFF DRIVERS

24V DALI DRIVERS

Power 240W  
 Input 220-240V, 50/60Hz  
 Dimensions W: 4.2cm H: 2cm L: 17.2cm  
 Bluetooth Dimming  OT BLE DIM 0-100%  
 Material Plastic  
 Special Feature IP 20  
 Color White / Code 4052899557833



Power 100W  
 Input 220-240V, 50/60Hz  
 Output 24V  
 Dimensions W: 5cm H: 3cm L: 23cm  
 Dimmable Triac  1-10  
 Material Metal  
 Special Feature IP 20  
 Color Metal / Code Z89100VND



Power 10W  
 Input 220-240V, 50/60Hz  
 Output 350mA  
 Forward Voltage 10-20V  
 Dimensions W: 3cm H: 2.1cm L: 13.9cm  
 Dimmable PhaseCut, 1-10V  
 Material Plastic  
 Special Feature IP 20  
 Color White / Code 87500283

TRIDONIC



Power 15W  
 Input 220-240V, 50/60Hz  
 Output 350mA  
 Forward Voltage 21-46V  
 Dimensions W: 3cm H: 2.1cm L: 13.9cm  
 Dimmable PhaseCut  
 Material Plastic  
 Special Feature IP 20  
 Color White / Code 89800255

TRIDONIC



Power 182W  
 Input 220-240V, 50/60Hz  
 Dimensions W: 4.2cm H: 2cm L: 17.2cm  
 DMX Dimming  OT DMX RGBW DIM 0-100%  
 Material Plastic  
 Special Feature IP 20  
 Color White / Code 4052899557949



Power 200W  
 Input 220-240V, 50/60Hz  
 Output 24V  
 Dimensions W: 5cm H: 3cm L: 28.7cm  
 Dimmable Triac  1-10  
 Material Metal  
 Special Feature IP 20  
 Color Metal / Code Z89200VND



Power 10W  
 Input 220-240V, 50/60Hz  
 Output 500mA  
 Forward Voltage 14-28V  
 Dimensions W: 3cm H: 2.1cm L: 13.9cm  
 Dimmable PhaseCut, 1-10V  
 Material Plastic  
 Special Feature IP 20  
 Color White / Code 87500284

TRIDONIC



Power 15W  
 Input 220-240V, 50/60Hz  
 Output 500mA  
 Forward Voltage 13.5-30V  
 Dimensions W: 3cm H: 2.1cm L: 13.9cm  
 Dimmable PhaseCut  
 Material Plastic  
 Special Feature IP 20  
 Color White / Code 89800256

TRIDONIC



Input 24V  
 Output Up to 240W  
 Dimensions W: 4.2cm H: 2cm L: 18cm  
 DALI Dimming  OTi DALI DIM 1-4CH  
 Material Plastic  
 Special Feature IP 20  
 Color White / Code 4062172166010



Power 9.1W  
 Input 220-240V, 50/60Hz  
 Output 700mA  
 Forward Voltage 8-13V  
 Dimensions W: 3.5cm H: 2cm L: 4.7cm  
 PhaseCut Dimming   
 Material Plastic  
 Special Feature IP 20  
 Color White / Code KGP-10P



Power 15W  
 Input 220-240V, 50/60Hz  
 Output 700mA  
 Forward Voltage 10-21.5V  
 Dimensions W: 3cm H: 2.1cm L: 13.9cm  
 PhaseCut Dimming   
 Material Plastic  
 Special Feature IP 20  
 Color White / Code 89800257

TRIDONIC



Coins 50					
Code	Description	Kelvin	CRI	Watt	Lumen
4052899583603	PL-CN50-COB-900-927-15D-G1	2700	90	12.90W	1400
4052899583627	PL-CN50-COB-900-927-24D-G1	2700	90	12.90W	1400
4052899583641	PL-CN50-COB-900-927-40D-G1	2700	90	12.90W	1400
4052899541153	PL-CN50-COB-900-930-15D-G1	3000	90	12.90W	1400
4052899541191	PL-CN50-COB-900-930-24D-G1	3000	90	12.90W	1400
4052899541757	PL-CN50-COB-900-930-40D-G1	3000	90	12.90W	1400
4052899541795	PL-CN50-COB-900-940-15D-G1	4000	90	12.90W	1400
4052899541771	PL-CN50-COB-900-940-24D-G1	4000	90	12.90W	1400
4052899541818	PL-CN50-COB-900-940-40D-G1	4000	90	12.90W	1400
4052899605763	PL-CN50-COB-900-D2W-24D-G1	Dim to Warm	90	12.90W	1400
4052899605787	PL-CN50-COB-900-D2W-40D-G1	Dim to Warm	90	12.90W	1400

Life Span : 50000H

\*7 Years Guarantee when combined with OSRAM drivers

**2nd Generation**  
Better Efficiency



Power 18W  
Input 220-240V, 50/60Hz  
Output 350mA  
Dimensions W: 5.3cm H: 3cm L: 9.5cm  
PhaseCut Dimming   
OT FIT 18/220-240/350  
Material Plastic  
Special Feature IP 20  
Color White / Code 4062172007559  
**OSRAM**



Power 10W  
Input 220-240V, 50/60Hz  
Output 150-500mA  
Forward Voltage 2.5-45V  
Dimensions W: 6cm H: 2.4cm L: 6cm  
DALI Dimming   
Material Plastic  
Special Feature IP 20  
Color White / Code KGP-10D



Power 10W / 14W  
Input 220-240V, 50/60Hz  
Output 250mA / 350mA  
Forward Voltage 50V MAX  
Dimensions W: 4.25cm H: 2cm L: 4.75cm  
Non Dimmable   
Material Plastic  
Special Feature IP 20  
Color White / Code 28003210  
**TRIDONIC**



Power 15W  
Input 220-240V, 50/60Hz  
Output 350mA  
Dimensions W: 4.3cm H: 2.2cm L: 9cm  
Non Dimmable   
On-Off ELEMENT 15/220-240/350S  
Material Plastic  
Special Feature IP 20  
Color White / Code 4052899552906  
**OSRAM**



Power 10W  
Input 220-240V, 50/60Hz  
Output 150-700mA  
Forward Voltage 2.5-45V  
Dimensions W: 3cm H: 2.2cm L: 16.6cm  
DALI Dimming   
OTi DALI 10/220-240/700 NFC I  
Material Plastic  
Special Feature IP 20  
Color White / Code 4062172151252  
**OSRAM**



Power 15W  
Input 220-240V, 50/60Hz  
Output 100-1050mA  
Forward Voltage 7.5-54V  
Dimensions W: 5.3cm H: 3cm L: 9.5cm  
DALI Dimming   
OTi DALI 15 NFC  
Material Plastic  
Special Feature IP 20  
Color White / Code 4052899548190  
**OSRAM**



Power 20W  
Input 220-240V, 50/60Hz  
Output 200-500mA  
Forward Voltage 20-50V  
Dimensions W: 5cm H: 3.2cm L: 20.4cm  
DALI Dimming   
OTi DALI 20/220-240/500 NFC I  
Material Plastic  
Special Feature IP 20  
Color White / Code D-DALI20  
**OSRAM**



Power 7W  
Input 220-240V, 50/60Hz  
Output 350mA  
Forward Voltage 2.7-19.2V  
Dimensions W: 2.6cm H: 2cm L: 3.6cm  
Not Dimmable   
On-Off Driver  
Material Plastic  
Special Feature IP 20  
Color White / Code LSCW350P



Power 7W  
Input 220-240V, 50/60Hz  
Output 500mA  
Forward Voltage 2.7-12.8V  
Dimensions W: 2.6cm H: 2cm L: 3.6cm  
Not Dimmable   
On-Off Driver  
Material Plastic  
Special Feature IP 20  
Color White / Code LSCW500P



Power 7W  
Input 220-240V, 50/60Hz  
Output 700mA  
Forward Voltage 2.7-9.6V  
Dimensions W: 2.6cm H: 2cm L: 3.6cm  
Not Dimmable   
On-Off Driver  
Material Plastic  
Special Feature IP 20  
Color White / Code LSCW700P





S063-24 **246**  
 S063-40 **246**  
 S065 3B- **148**  
 S065 3W- **148**  
 S065 4B- **148**  
 S066 3B- **148**  
 S066 3W- **148**  
 S066 4B- **148**  
 S066 4W- **148**  
 S068 **241**  
 S069 **241**  
 S070 **193**  
 S071 **193**  
 S073 **188**  
 S074 **188**  
 S075 **188**  
 S076 **188**  
 S077 **192**  
 S078 **192**  
 S084 **200**  
 S085 **200**  
 S086 **200**  
 S087 **201**  
 S088 **214**  
 S089 **214**  
 S090 **214**  
 S091 **214**  
 S094 **192**  
 S095 **190**  
 S095-B **191**  
 S095-C **191**  
 S095-G **191**  
 S096 **190**  
 S096-B **191**  
 S096-C **191**  
 S096-G **191**  
 S097 **190**  
 S097-B **191**  
 S097-C **191**  
 S097-G **191**  
 S102 **201**  
 S110 **206**  
 S111 **206**  
 S112 **238**  
 S113 **238**  
 S114 **154**  
 S115 **154**  
 S116 **154**  
 S117 **154**  
 S118 **154**  
 S119 **154**  
 S120 **154**  
 S121 **154**  
 S122 **154**  
 S123 **154**  
 S124 **154**  
 S125 **212**  
 S126 **213**

S127 **212**  
 S128 **213**  
 S129 **212**  
 S130 **213**  
 S131 **240**  
 S132 **240**  
 S133 **240**  
 S134 **240**  
 S135 **170**  
 S136 **170**  
 S137 **172**  
 S138 **172**  
 S139 **171**  
 S140 **171**  
 S141 **173**  
 S142 **173**  
 S143 **194**  
 S144 **194**  
 S145 **194**  
 S146 **194**  
 S147 **222**  
 S148 **217**  
 S149 **217**  
 S150 **218**  
 S151 **242**  
 S152 **242**  
 S153 **232**  
 S154 **232**  
 S155 **232**  
 S156 **244**  
 S157 **244**  
 S158 **244**  
 S159 **236**  
 S160 **236**  
 S161 **236**  
 S162 **205**  
 S163 **218**  
 S164 **218**  
 S165 **208**  
 S166 **208**  
 S167 **208**  
 S168 **208**  
 S169 **182**  
 S170 **182**  
 S171 **182**  
 S172 **182**  
 S173 **186**  
 S174 **186**  
 S175 **184**  
 S176 **184**  
 S177 **186**  
 S178 **186**  
 S179 **230**  
 S180 **230**  
 S181 **174**  
 S182 **174**  
 S183 **174**  
 S184 **174**

Z050106-B **234**  
 Z050106-BR **234**  
 S187 **176**  
 S188 **176**  
 S189 **199**  
 S190 **199**  
 S191 **197**  
 S192 **197**  
 S193 **198**  
 S194 **198**  
 S195 **196**  
 S196 **196**  
 S197 **150**  
 S198 **150**  
 S199 **150**  
 S200 **150**  
 S201 **150**  
 S202 **150**  
 S203 **150**  
 S204 **180**  
 S205 **180**  
 S206 **180**  
 S207 **180**  
 S208 **180**  
 S209 **181**  
 S210 **181**  
 S211 **181**  
 S212 **181**  
 S213 **181**  
 S214 **226**  
 S215 **226**  
 S216 **228**  
 S217 **228**  
 S218 **228**  
 S219 **228**  
 HNCMB **212**  
 LNS 20 183 **174**  
 LNS197 **150**  
 LNS202 **150**  
 RFL B 158 **244**  
 RFL B 181 **174**  
 RFL B 185 **174**  
 RFL G 154 **232**  
 RFL G 181 **174**  
 RFL G 185 **176**  
 RFL125-BL **212**  
 RFL125-G **212**  
 RFL125-WH **212**  
 RFL126-BL **213**  
 RFL126-G **213**  
 RFL126-WH **213**  
 RFLG204 **180**  
 RFLG209 **181**  
 RFLNB204 **180**  
 RFLNB209 **181**  
 RING G **164**  
 TRMLS204 **180**  
 TRMLS209 **181**

S185 **176**  
 S186 **176**  
 Z10103 BTR-B **195**  
 Z10103 BTR-W **195**  
 Z10105 TR-B **217**  
 Z10105 TR-W **217**  
 Z10105-AD **216**  
 Z10105-D9 **216**  
 Z11105 TR-B **216**  
 Z11105 TR-W **216**  
 Z12107K-B **234**  
 Z12107K-W **234**  
 Z65105NT-BB **162**  
 Z65105NT-G **162**  
 Z65644T-B **162**  
 Z65644T-W **162**  
 LS01 **272**  
 LS02 **272**  
 LS03 **272**  
 LS04 **272**  
 LS05 **270**  
 LS06 **271**  
 LS07 **271**  
 LS08 **273**  
 LS09 **273**  
 LS12 **270**  
 LS14 **273**  
 LS15 **273**  
 LS16 **273**  
 LS17 **268**  
 LS18 **268**  
 LS19 **268**  
 LS20 **268**  
 LS21 **268**  
 LS22 **268**  
 LS23 **268**  
 LS24 **268**  
 LS25 **268**  
 LS26 **268**  
 LS27 **268**  
 LS28 **268**  
 LS29 **269**  
 LS31 **269**  
 LS32 **269**  
 ALMLS14-15 **273**  
 ALMLS08-09 **273**  
 ECLS08-09 **273**  
 ECLS14-15 **273**  
 FCLS14-15 **273**  
 FPLS14-15 **273**  
 4052899583603 **278**  
 4052899583627 **278**  
 4052899583641 **278**  
 4052899541153 **278**  
 4052899541191 **278**  
 4052899541757 **278**  
 4052899541795 **278**  
 4052899541771 **278**

4052899541818 **278**  
 4052899605763 **278**  
 4052899605787 **278**  
 4052899465916 **275**  
 28003210 **278**  
 87500283 **277**  
 87500284 **277**  
 89800255 **277**  
 89800256 **277**  
 89800257 **277**  
 4052899548190 **191**  
 4052899552906 **278**  
 4052899557833 **276**  
 4052899557949 **276**  
 4052899605503 **274**  
 4052899605527 **274**  
 4052899605541 **274**  
 4052899605565 **274**  
 4062172007559 **278**  
 4062172151252 **171**  
 4062172166010 **276**  
 4062172274340 **275**  
 4062172274364 **275**  
 4062172274388 **275**  
 4062172329767 **275**  
 4062172333467 **274**  
 D-DALI20 **184**  
 D-EG-5 **180**  
 D-EG-9 **181**  
 D-EG-10 **226**  
 D-iT FIT20 **184**  
 D-iT FIT7 **205**  
 D-KE-9 **181**  
 D-KE-10 **226**  
 D-OT FIT15 **186**  
 D-OT FIT8 **174**  
 KEDH012 **196**  
 KGP-10D **278**  
 KGP-10P **277**  
 LS-3-700 **174**  
 LS-6-150 **170**  
 LS-6-1150 **180**  
 LSCW350P **279**  
 LSCW500P **279**  
 LSCW700P **279**  
 Z89100VND **276**  
 Z89200VND **276**



ZAMPELIS S.A.

Greece , Attica , Keratea , Kivouri

Postal: 19001 , P.O. box: 4791

Tel.: (+30) 22990 63518-19 | Fax: (+30) 22990 63521

[info@zambelislights.gr](mailto:info@zambelislights.gr) | [zambelislights.gr](http://zambelislights.gr)

